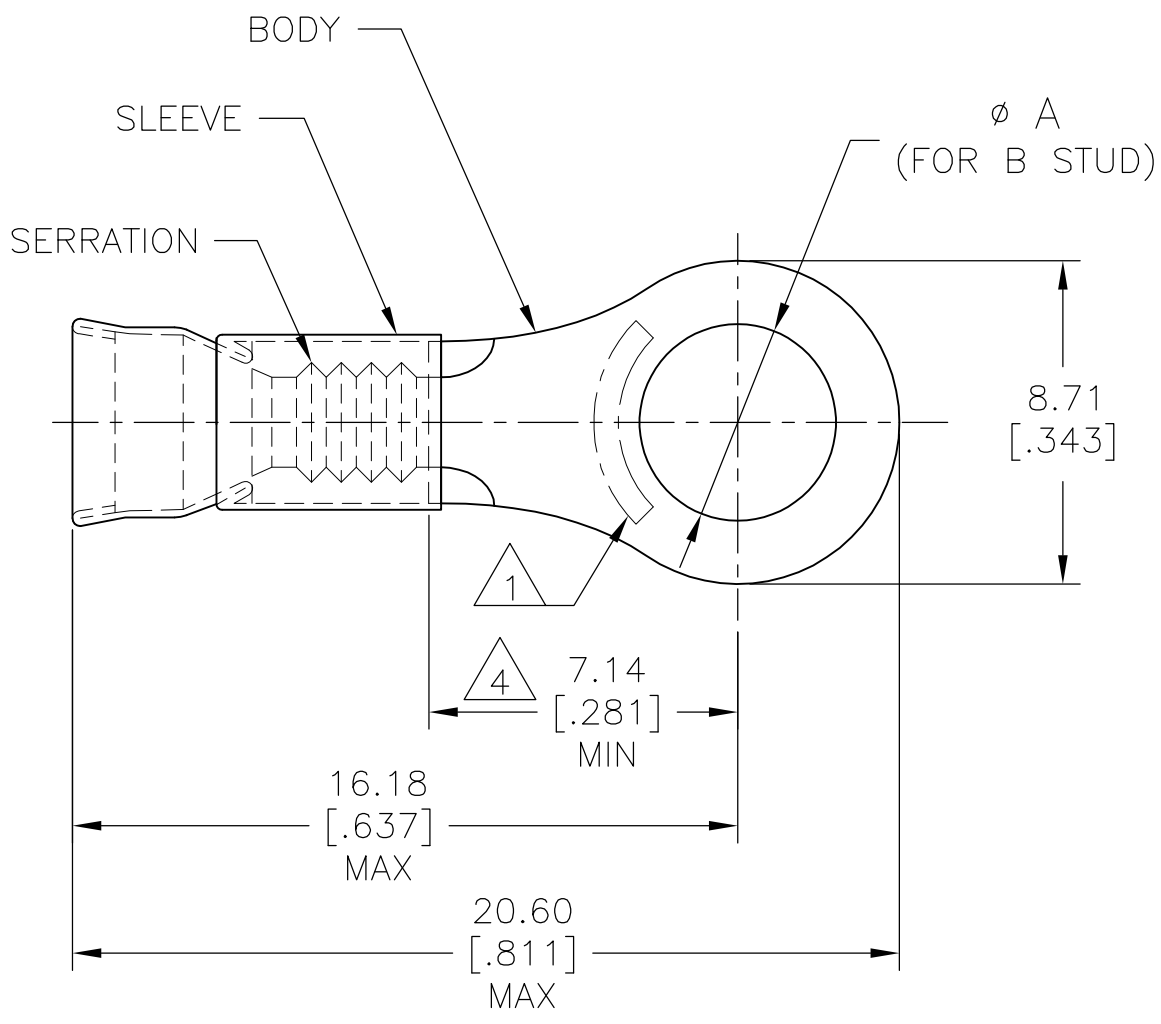


THIS DRAWING IS UNPUBLISHED. RELEASED FOR PUBLICATION
 © COPYRIGHT - By - ALL RIGHTS RESERVED.

REVISIONS					
P	LTR	DESCRIPTION	DATE	DWN	APVD
	J1	REVISED PER ECO-11-005027	14MAR11	RK	HMR
	J2	REVISED PER ECO-16-017419	16MAR2017	RS	DR



- 1 SEE TABLE FOR STAMPING.
- 2 WIRE INSUL DIA, $\phi 3.05-4.32$ [.120-.170].
- 3 TONGUE MATL THK, 0.79 ± 0.05 [.031 \pm .002].
- 4 APPLIES FROM EDGE OF METAL WIRE BARREL TO CENTER OF STUD HOLE.

AMP 16-14AL	4.34 \pm 0.08 [.171 \pm .003]	#8	ALUMEL	GREEN	500	LOOSE PIECE	1-322338-1
AMP 16-14AL	5.00 \pm 0.08 [.197 \pm .003]	#10	ALUMEL	GREEN	500	LOOSE PIECE	1-322338-0
AMP 16-14	5.00 \pm 0.08 [.197 \pm .003]	#10	NICKEL PER ASTM B162	ORANGE	1000	LOOSE PIECE	322338
STAMPING	A	B	BODY MATERIAL	SLV COLOR	QTY	PACKAGE TYPE	PART NO

AMP INCORPORATED CUSTOMER SERVICE SYSTEM		MAX RECOMMENDED OPERATING TEMPERATURE: 649°C [1200°F]	THIS DRAWING IS A CONTROLLED DOCUMENT.		DWN L OLMEDA 10OCT94	STE TE Connectivity			
FOR ADDITIONAL PRODUCT INFORMATION OR COPIES OF DRAWINGS AND TECHNICAL DOCUMENTS	PRODUCT INFORMATION CENTER 1-800-522-6752	VOLTAGE RATING: -	DIMENSIONS: mm [INCHES]	TOLERANCES UNLESS OTHERWISE SPECIFIED:	CHK M ELLIS 10OCT94				NAME
FOR APPLICATION TOOLING INFORMATION	TOOLING ASSISTANCE CENTER 1-800-722-1111	CIRCULAR MIL AREA: 1.04mm ² -2.62mm ² [2050-5180] STRANDED WIRE		0 PLC ± - 1 PLC ± - 2 PLC ± 0.20 [.008] 3 PLC ± - 4 PLC ± - ANGLES ± -	APVD S BORTNER 10OCT94	TERMINAL, RING TONGUE, STRATOTHERM, DIAMOND GRIP, WIRE SIZE, 16-14 AWG			
FOR ORDER ENTRY	1-800-526-5142	MATERIAL BODY, SEE TABLE SLEEVE, NI SIL PER ASTM B122		FINISH SLV COLOR, SEE TABLE	PRODUCT SPEC -	SIZE A3	CAGE CODE 00779	DRAWING NO C-322338	RESTRICTED TO -
CUSTOMER DRAWING					WEIGHT -	SCALE 6:1	SHEET 1 OF 1	REV J2	

Mouser Electronics

Authorized Distributor

Click to View Pricing, Inventory, Delivery & Lifecycle Information:

[TE Connectivity:](#)

[1-322338-1](#)