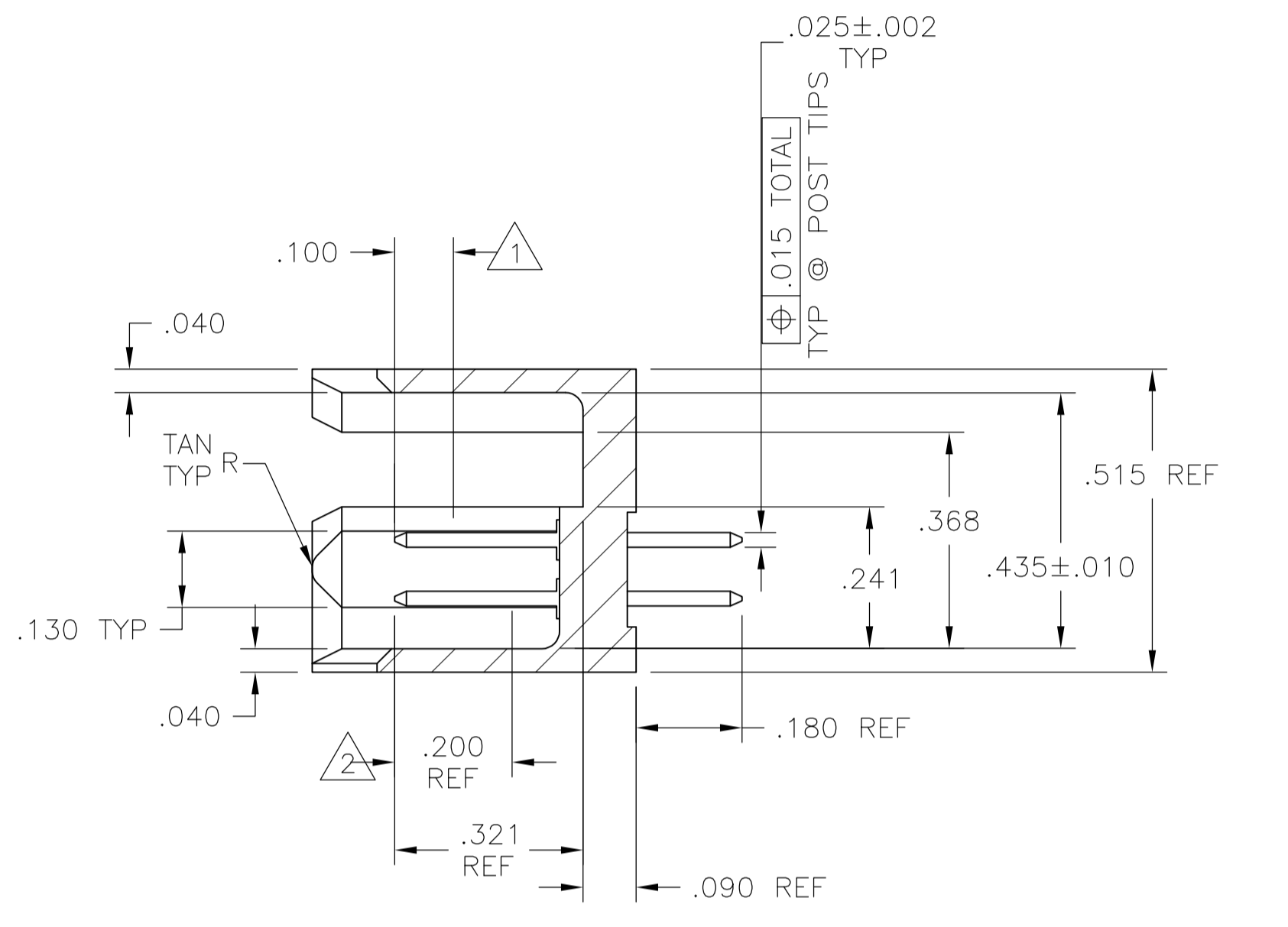
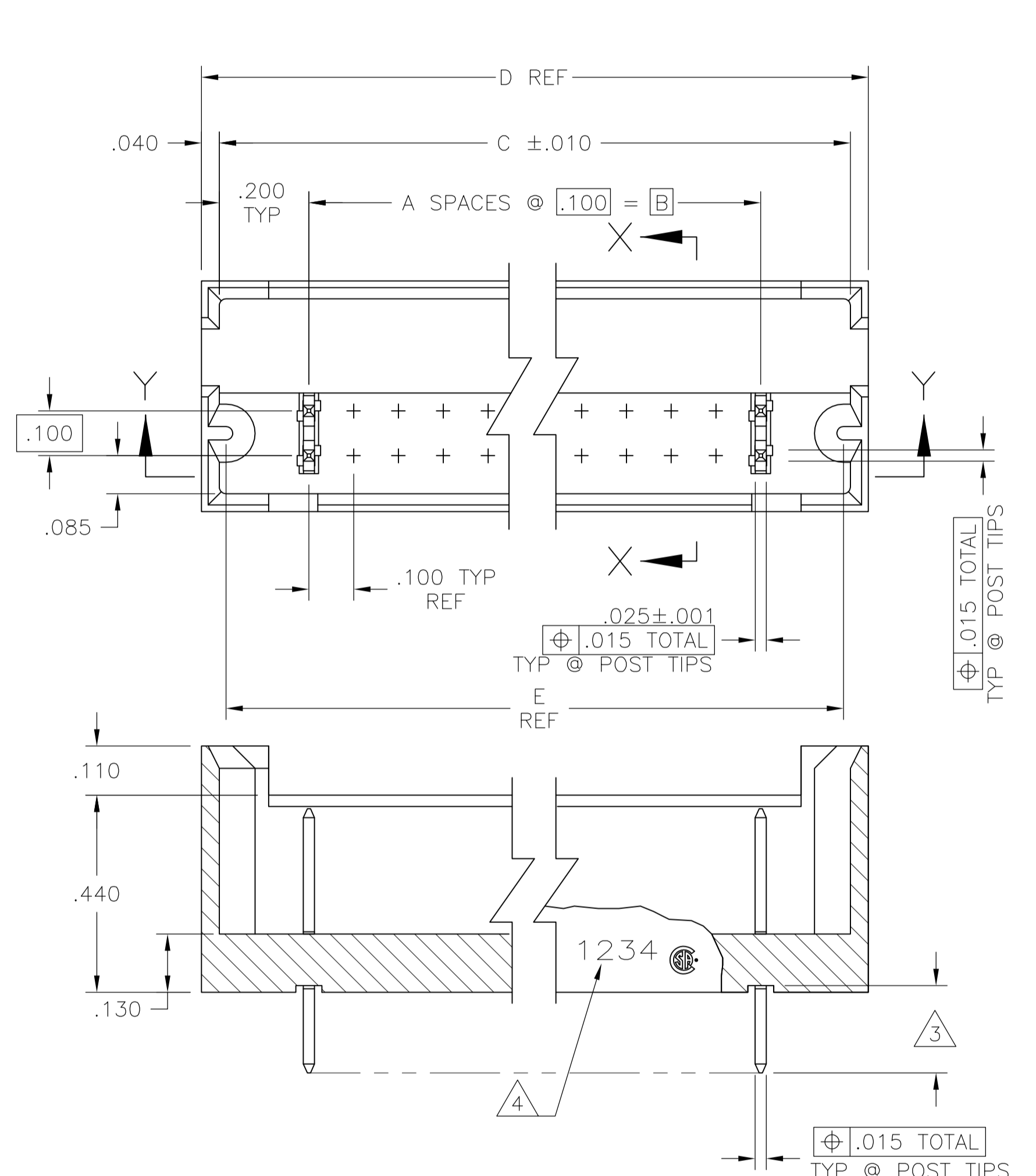
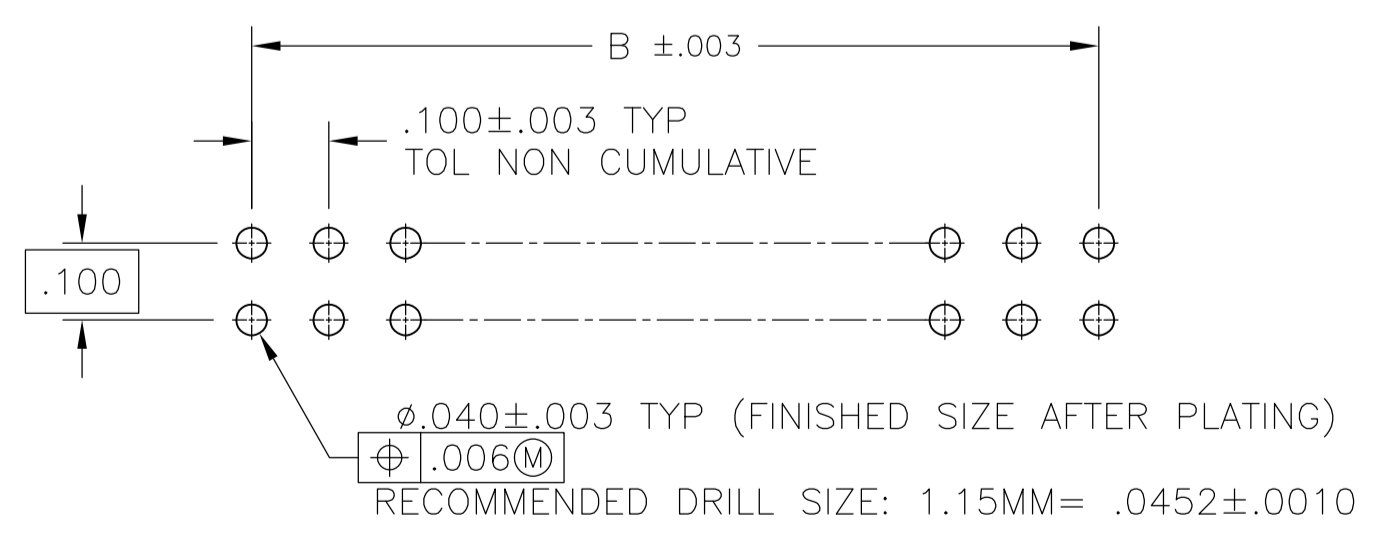


LOC		DIST		REVISIONS			
F	LTR	PER	ECO	DATE	DN	APVD	
LS	REVISED	PER	ECO-13-015097	25SEP2013	KH	JO	



SECTION X-X

- 1 POINT OF MEASUREMENT FOR PLATING THICKNESS.
- 2 FINISH OVER INDICATED AREA: .000030 GOLD OVER .000050 NICKEL.
- 3 FINISH OVER INDICATED AREA: .000100-.000200 BRIGHT TIN LEAD OVER .000050 NICKEL.
- 4 RECESSED DATE CODE AND LOGO.
- 5 OBSOLETE PART NUMBER.
- 6 PRELIMINARY PART - NOT RELEASED FOR PRODUCTION
- 7 FINISH OVER INDICATED AREA: .000100-.000200 MATTE TIN OVER .000050 NICKEL.
- 8 ROHS 2002/95/EC COMPLIANT
- 9 OBSOLETE PARTS: OBSOLETE CIS STREAMLINING PER D.RENAUD/D.SINISI



RECOMMENDED HOLE SIZE

NO. OF POSN	A	B	C ± .010	D	E	NO. OF POSN	PART NUMBER
12	26	8	7-102692-9				
12	160	8	7-102692-8				
46	94	8	7-102692-7				
21	44	8	7-102692-6				
6	14	8	7-102692-5				
89	180	8	7-102692-4				
73	148	8	7-102692-3				
63	128	8	7-102692-2				
69	140	8	7-102692-1				
64	130	8	7-102692-0				
42	86	8	6-102692-9				
35	72	8	6-102692-8				
14	30	8	6-102692-7				
9	20	8	6-102692-6				
7	16	8	6-102692-5				
34	70	8	6-102692-4				
19	40	8	6-102692-3				
44	90	8	6-102692-2				
99	200	8	6-102692-1				
54	110	8	6-102692-0				
59	120	8	5-102692-9				
49	100	8	5-102692-8				
47	96	8	5-102692-7				
39	80	8	5-102692-6				
29	60	8	5-102692-5				
24	50	8	5-102692-4				
17	36	8	5-102692-3				
11	24	8	5-102692-2				
5	12	8	5-102692-1				
12	26	2	2-102692-9				
12	160	2	2-102692-8				
46	94	2	2-102692-7				
21	44	2	2-102692-6				
6	14	2	2-102692-5				
89	180	2	2-102692-4				
73	148	2	2-102692-3				
63	128	2	2-102692-2				
69	140	2	2-102692-1				
64	130	2	2-102692-0				
42	86	1	1-102692-9				
35	72	1	1-102692-8				
14	30	1	1-102692-7				
9	20	1	1-102692-6				
7	16	1	1-102692-5				
34	70	1	1-102692-4				
19	40	1	1-102692-3				
44	90	1	1-102692-2				
99	200	1	1-102692-1				
54	110	1	1-102692-0				
59	120		102692-9				
49	100		102692-8				
47	96		102692-7				
39	80		102692-6				
29	60		102692-5				
24	50		102692-4				
17	36		102692-3				
11	24		102692-2				
5	12		102692-1				

THIS DRAWING IS A CONTROLLED DOCUMENT.

APPROVED: J. GESFORD 12NOV98

DESIGNED: J. HAYMAKER 11JAN01

TE Connectivity

HEADER ASSEMBLY, MOD II, .100C.100CL, .025 SQ POSTS

SCALE: 4:1 SHEET 1 OF 1 REV 15

Mouser Electronics

Authorized Distributor

Click to View Pricing, Inventory, Delivery & Lifecycle Information:

[TE Connectivity:](#)

[102692-8](#)