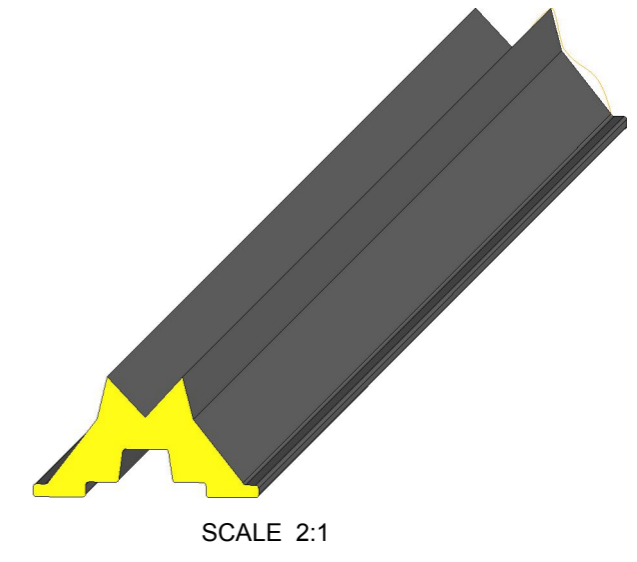
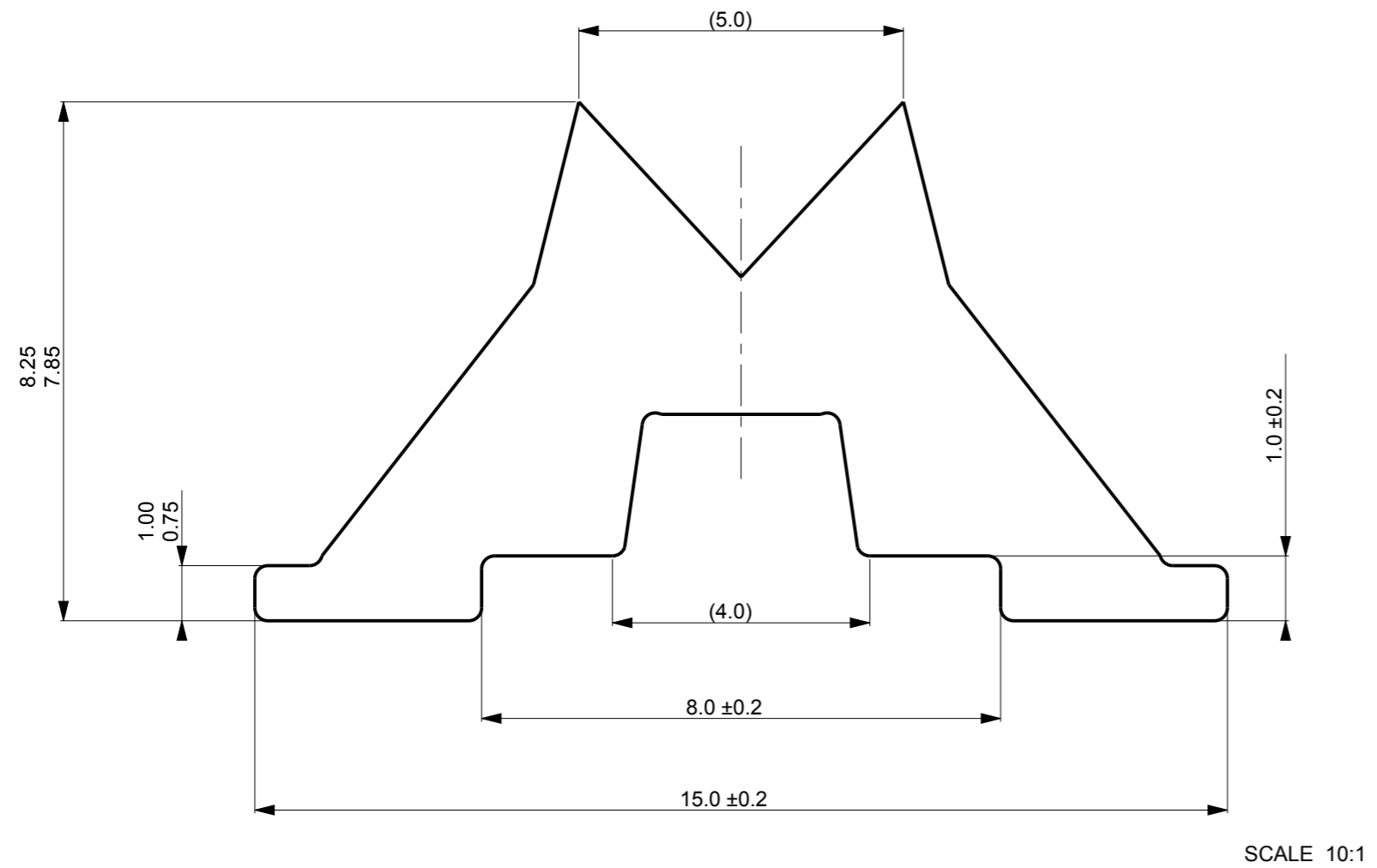


CUSTOMER DRAWING

REV.	DATE	D.C.N. NUMBER	DESCRIPTION	CHECKED BY DATE	APPROVED BY DATE
1	08/10/13		FIRST ISSUE	PS 08/10/13	MH 08/10/13
1A	04 FEB'15	DCN1395	TOLERANCE CHANGES & NOTE 6 ADDED. P-SUTTON	BB 04/02/15	MB 04/02/15
1B	19 MAR'15	DCN1398	LENGTH TABLE AND LENGTH TOLERANCE ADDED. P.SUTTON	BB 19/03/15	MB 19/03/15



PART No	LENGTH	TOLERANCE
12752	300 mm	$\pm 2,0$ mm
12874	1200 mm	$\pm 2,0$ mm

NOTE:
MATERIAL: POLYCARBONATE

Title		EXTRUDED SIDE EMITTER FOR 5630 LED			
Drawn by	ADC	Customer	CARCLO	Scale	AS SPEC.
THIRD ANGLE PROJECTION	GENERAL TOLERANCES UNLESS OTHERWISE STATED LINEAR ANGULAR		CARCLO technical plastics CONFIDENTIAL: UNAUTHORISED COPYING, DISCUSSION & DISTRIBUTION PROHIBITED	DIMENSIONS IN mm	Format Size A3
CAD File	12752-70239_REV_1B		Drw. N°	70239	Part N° 12752