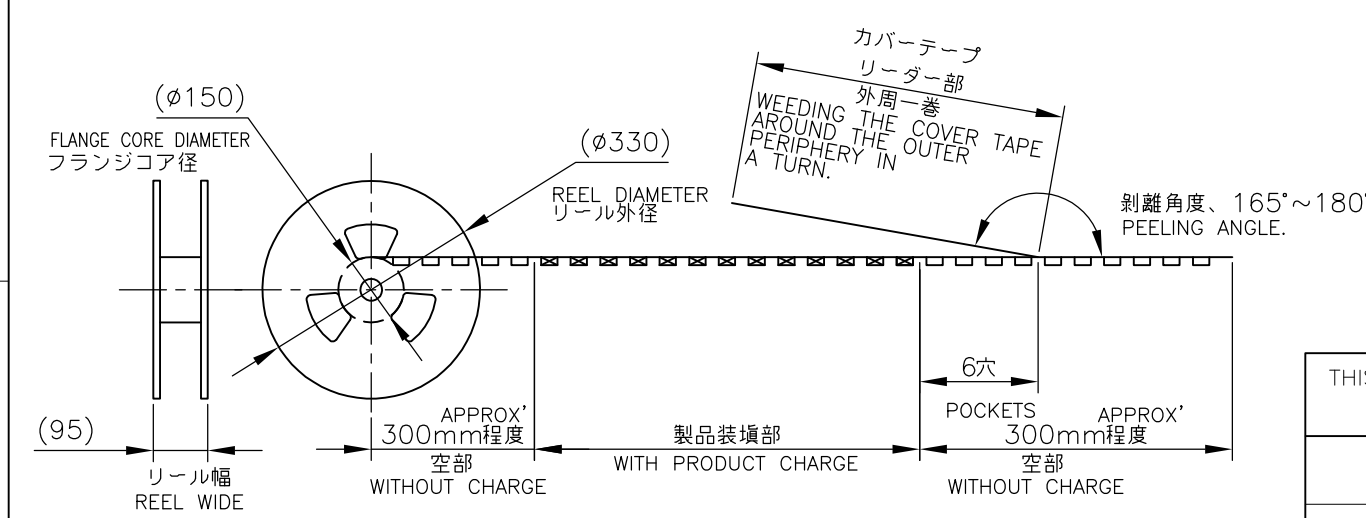
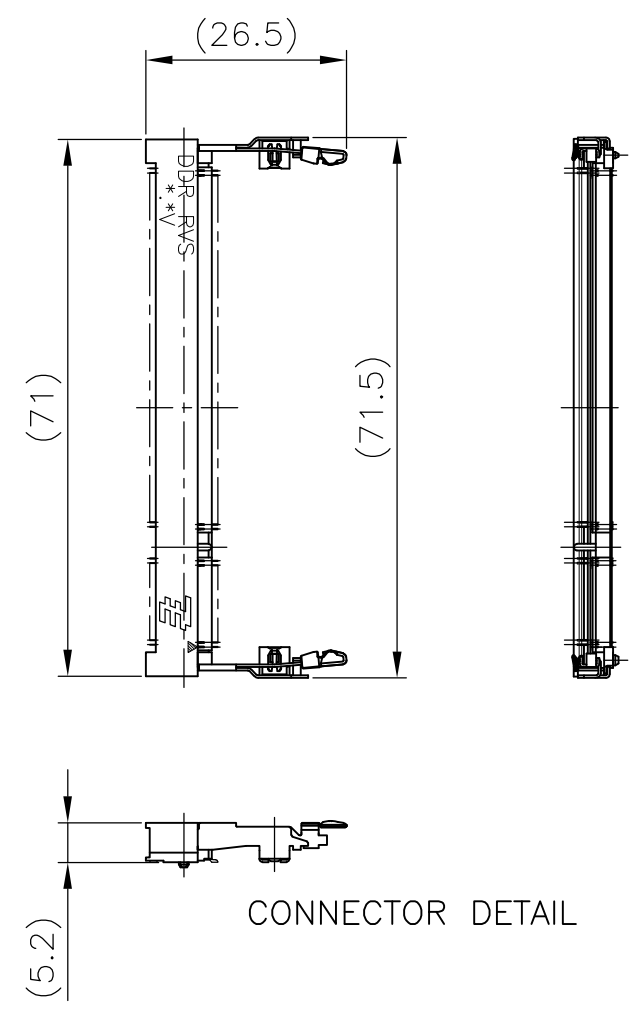
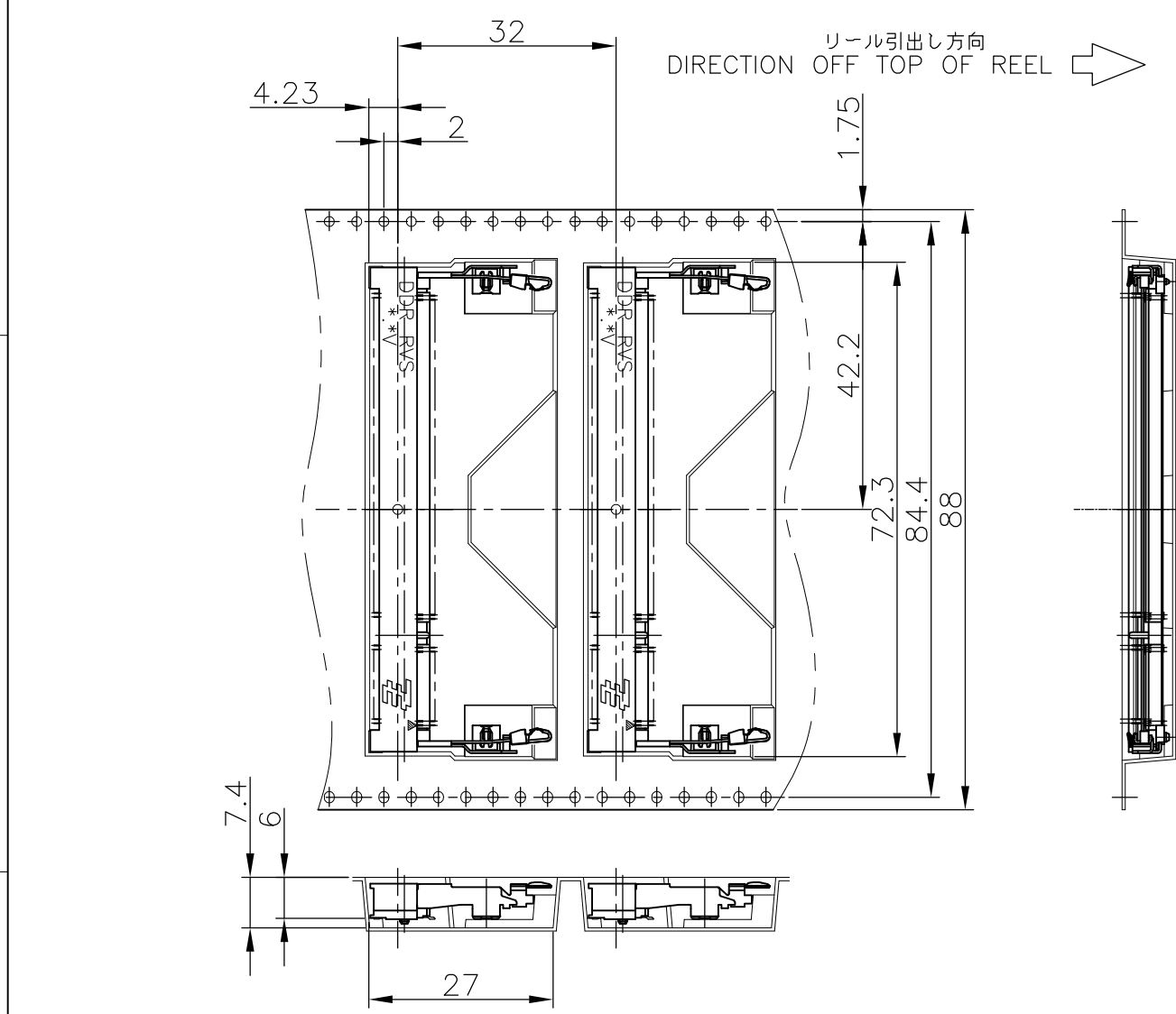


THIS DRAWING IS UNPUBLISHED. RELEASED FOR PUBLICATION DEC ,2001.
 © COPYRIGHT 2001 By - ALL RIGHTS RESERVED.

LOC	DIST	REVISIONS					
		P	LTR	DESCRIPTION	DATE	DWN	APVD
J			D2	REVISED PER ECO-11-005033	11MAR11	RK	HMR



鉛フリー
LEAD FREE

1.8V (DDR2)	150EA/REEL	1565712-4	1565918-4
2.5V (DDR1)	150EA/REEL	1565712-3	1565918-1
POWER SUPPLY (TYPE)	QTY	CONNECTOR P/N	P/N

THIS DRAWING IS A CONTROLLED DOCUMENT.

DWN B.WONG 20JUL10	STE TE Connectivity
CHK C.WANG 20JUL10	
APVD S.YAO 20JUL10	NAME 名称
PRODUCT SPEC 製品規格 108-5701	EMBOSS ASSEMBLY
APPLICATION SPEC 取付適用規格	DDR1 & DDR2 SODIMM SOCKET 200P
MATERIAL 材料	STANDARD PROFILE REVERSE TYPE
FINISH 仕上	SIZE A3
WEIGHT	CAGE CODE 00779
CUSTOMER DRAWING	DRAWING NO. C-1565918
	RESTRICTED TO
	SCALE 1:1
	SHEET 1 OF 1
	REV D2

Mouser Electronics

Authorized Distributor

Click to View Pricing, Inventory, Delivery & Lifecycle Information:

[TE Connectivity:](#)

[1565918-4](#)