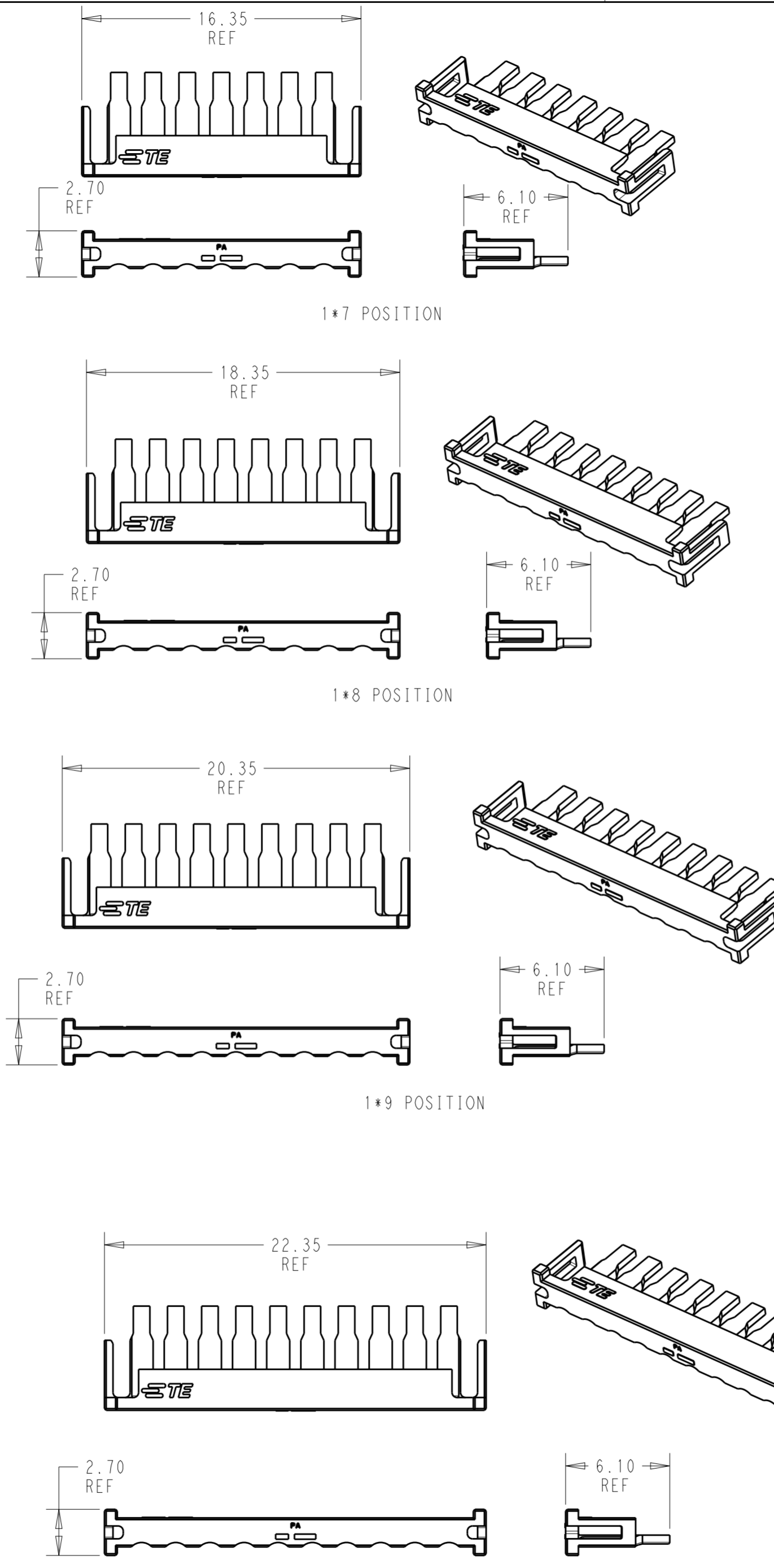
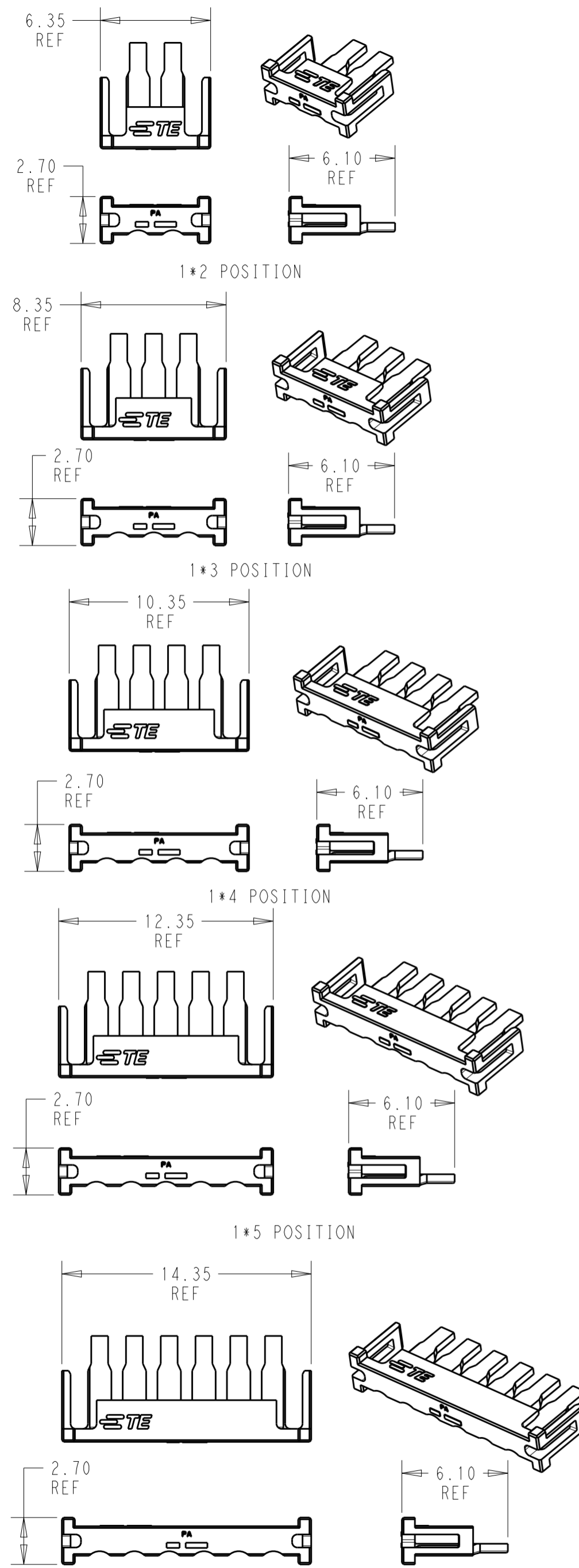


| P | LTR | DESCRIPTION                | DATE      | DWN | APVD |
|---|-----|----------------------------|-----------|-----|------|
|   | A   | RELEASED PER ECO-20-008335 | 15JUN2020 | BKW | SW   |



- 1. MATERIAL: PA  
COLOR - BLACK
- 2. MATING CONNECTOR P/N'S:  
PLUG HSG - \*-2232826-\*
- 3. THIS PRODUCT HAS NOT COMPLETED QUALIFICATION TESTING.

|           |             |
|-----------|-------------|
| 1*10      | 1-2357686-0 |
| 1*9       | 2357686-9   |
| 1*8       | 2357686-8   |
| 1*7       | 2357686-7   |
| 1*6       | 2357686-6   |
| 1*5       | 2357686-5   |
| 1*4       | 2357686-4   |
| 1*3       | 2357686-3   |
| 1*2       | 2357686-2   |
| POSITIONS | PART NUMBER |

|  |  |                            |                   |                       |
|--|--|----------------------------|-------------------|-----------------------|
| THIS DRAWING IS A CONTROLLED DOCUMENT. |  | DWN B. WEAVER 20JUN2019    | TE Connectivity   |                       |
| DIMENSIONS: mm                         |  | CHK C. YI 20JUN2019        |                   |                       |
| TOLERANCES UNLESS OTHERWISE SPECIFIED: |  | APVD T. BENCHOFF 20JUN2019 | NAME TPA, SGI 2.0 |                       |
| 0 PLC ±                                |  | PRODUCT SPEC               | -                 |                       |
| 1 PLC ±                                |  | APPLICATION SPEC           | -                 |                       |
| 2 PLC ±                                |  | WEIGHT                     | -                 |                       |
| 3 PLC ±                                |  | CUSTOMER DRAWING           | -                 |                       |
| 4 PLC ±                                |  | SCALE 4:1                  | SHEET 1 OF 1      |                       |
| ANGLES ±                               |  | RESTRICTED TO              | -                 |                       |
| FINISH -                               |  | SIZE A2                    | CAGE CODE 00779   | DRAWING NO. C-2357686 |
| MATERIAL 1                             |  | REV A                      |                   |                       |

# Mouser Electronics

Authorized Distributor

Click to View Pricing, Inventory, Delivery & Lifecycle Information:

[TE Connectivity:](#)

[2357686-2](#) [2357686-4](#) [2357686-6](#)