

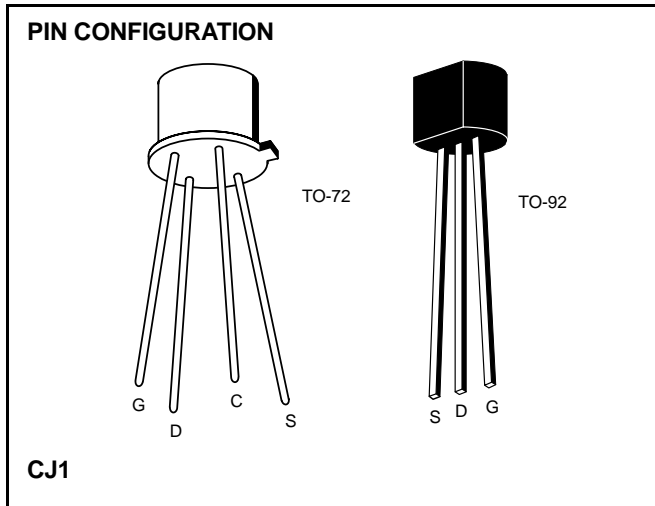
N-Channel JFET High Frequency Amplifier



2N4416 / 2N4416A / PN4416

FEATURES

- Low Noise
- Low Feedback Capacitance
- Low Output Capacitance
- High Transconductance
- High Power Gain



ABSOLUTE MAXIMUM RATINGS

(T_A = 25°C unless otherwise noted)

Gate-Source or Gate-Drain Voltage	
2N4416, PN4416	-30V
2N4416A	-35V
Gate Current	10mA
Storage Temperature Range	
2N4416/2N4416A	-65°C to +200°C
PN4416	-55°C to +150°C
Operating Temperature Range	
2N4416/2N4416A	-65°C to +200°C
PN4416	-55°C to +135°C
Lead Temperature (Soldering, 10sec)	+300°C
Power Dissipation	300mW
Derate above 25°C	
2N4416/2N4416A	1.7mW/°C
PN4416	2.7mW/°C

NOTE: Stresses above those listed under "Absolute Maximum Ratings" may cause permanent damage to the device. These are stress ratings only and functional operation of the device at these or any other conditions above those indicated in the operational sections of the specifications is not implied. Exposure to absolute maximum rating conditions for extended periods may affect device reliability.

ORDERING INFORMATION

Part	Package	Temperature Range
2N4416	Hermetic TO-72	-55°C to +135°C
2N4416A	Hermetic TO-72	-55°C to +135°C
PN4416	Plastic TO-92	-55°C to +135°C
X2N4416	Sorted Chips in Carriers	-55°C to +135°C



ELECTRICAL CHARACTERISTICS ($T_A = 25^\circ\text{C}$ unless otherwise specified)

SYMBOL	PARAMETER		MIN	MAX	UNITS	TEST CONDITIONS	
I _{GSS}	Gate Reverse Current			-0.1	nA	V _{GS} = -20V, V _{DS} = 0 T _A = 150°C	
				-0.1	μA		
BV _{GSS}	Gate-Source Breakdown Voltage	2N4416/PN4416	-30		V	I _G = -1μA, V _{DS} = 0	
		2N4416A	-35				
V _{GS(off)}	Gate-Source Cutoff Voltage	2N4416/PN4416		-6		V _{DS} = 15V, I _D = 1nA	
		2N4416A	-2.5	-6			
V _{GS(f)}	Gate-Source Forward Voltage			1	V	I _G = 1mA, V _{DS} = 0	
I _{DSS}	Drain Current at Zero Gate Voltage		5	15	mA	V _{DS} = 15V, V _{GS} = 0	f = 1kHz
g _{fs}	Common-Source Forward Transconductance		4500	7500	μS		
g _{os}	Common-Source Output Conductance			50	μS		
C _{rss}	Common-Source Reverse Transfer Capacitance (Note 1)			0.8	pF		f = 1MHz
C _{iss}	Common-Source Input Capacitance (Note 1)			4	pF		
C _{oss}	Common-Source Input Capacitance (Note 1)			2			

ELECTRICAL CHARACTERISTICS (Continued) ($T_A = 25^\circ\text{C}$ unless otherwise specified)

SYMBOL	PARAMETER	100MHz		400MHz		UNITS	TEST CONDITIONS
		MIN	MAX	MIN	MAX		
g _{iss}	Common-Source Input Conductance		100		1000	μS	V _{DS} = 15V, V _{GS} = 0 (Note 1)
b _{iss}	Common-Source Input Susceptance		2500		10,000		
g _{oss}	Common-Source Output Conductance		75		100		
b _{oss}	Common-Source Output Susceptance		1000		4000		
g _{fs}	Common-Source Forward Transconductance			4000			
G _{ps}	Common-Source Power Gain	18		10		dB	V _{DS} = 15V, I _D = 5mA (Note 1)
NF	Noise Figure (Note 1)		2		4		V _{DS} = 15V, I _D = 5mA, R _G = 1kΩ

NOTE 1: For design reference only, not 100% tested.