

8

7

6

5

4

3

2

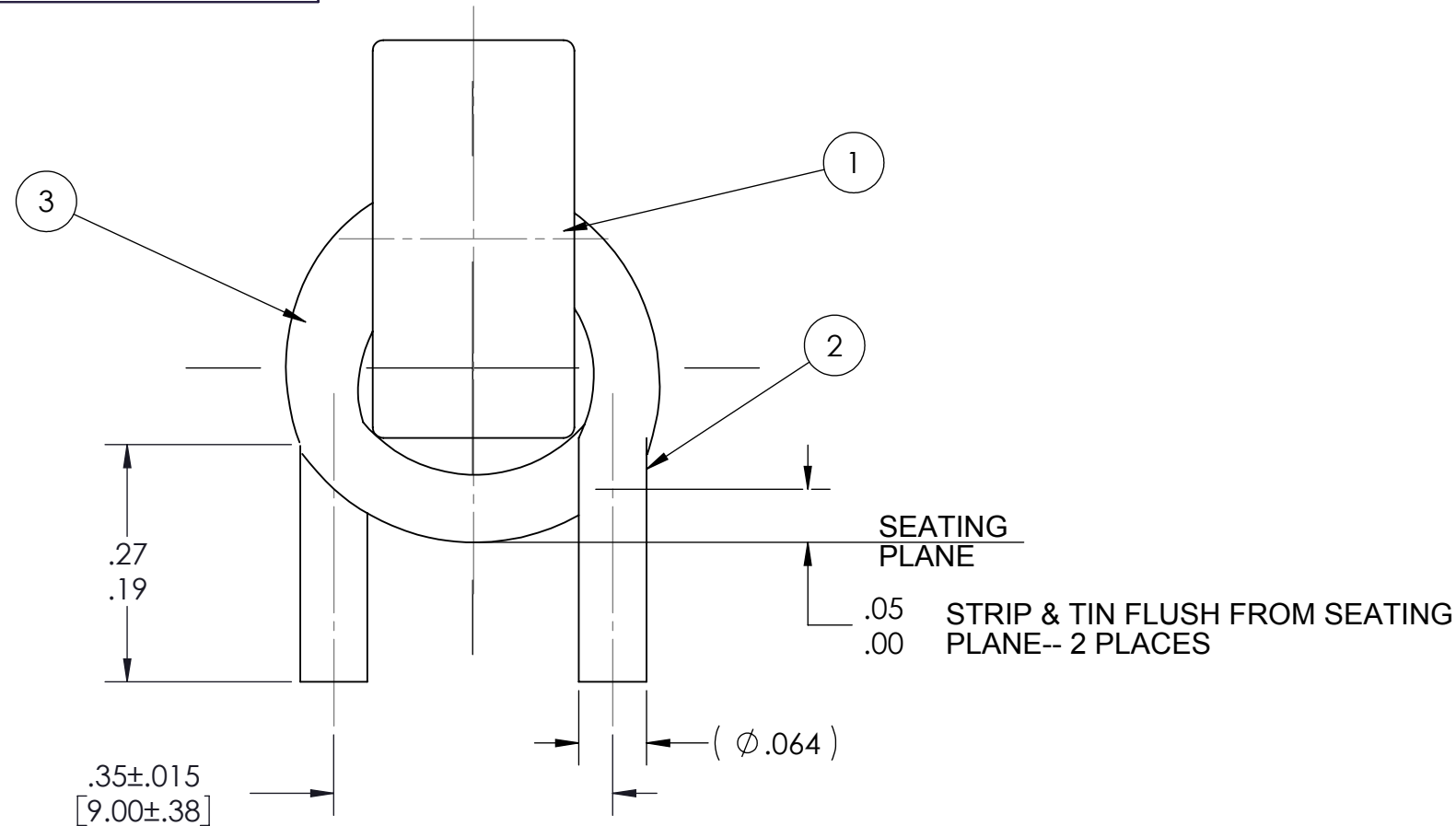
1

VICOR CONFIDENTIAL

THIS DOCUMENT AND THE DATA DISCLOSED HEREIN OR HEREWITH IS NOT TO BE REPRODUCED, USED OR DISCLOSED IN WHOLE OR IN PART TO ANYONE WITHOUT THE PERMISSION OF VICOR CORP.

REVISIONS

REV	DESCRIPTION	DATE	APPROVED
1	RELEASED PER E064424	08/16/06	REJH MB
2	REVISED PER E101309	10/22/10	KUK AR



F

F

E

E

D

D

C

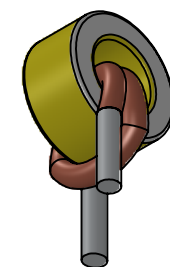
C

B

B

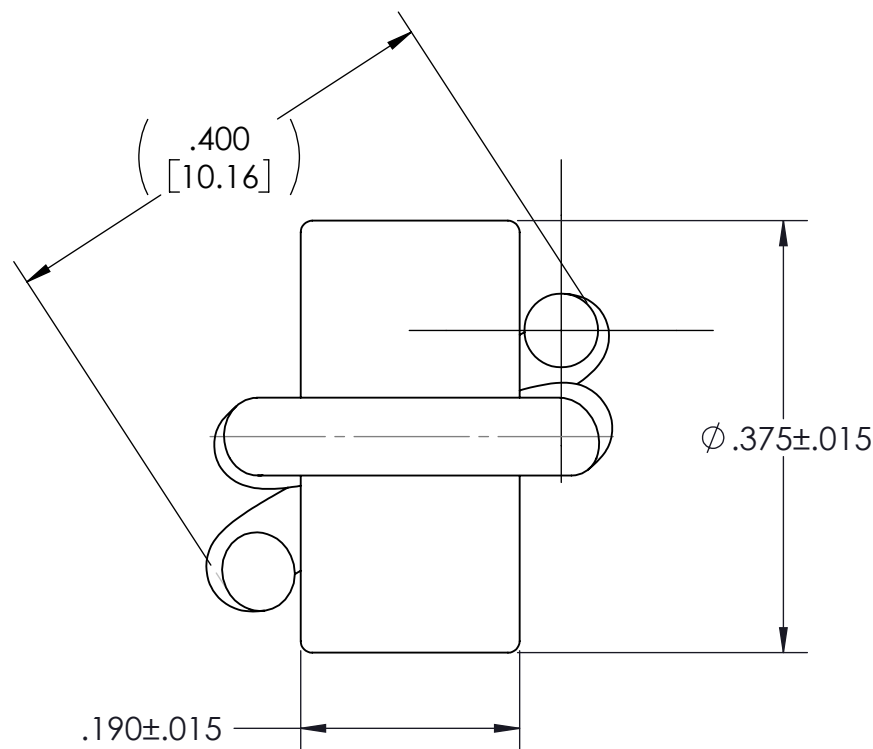
A

A



NOTES:
 1. RoHS COMPLIANT, LEAD FREE PER CST-0001 LATEST REVISION.

ITEM	QTY.	U/M	PART NO.	DESCRIPTION	MAT'L. SPEC.
3	A/R	-	81-00004	ADHESIVE, SICOMET 7000 AND / OR LOCTITE	38240
2	2.2	IN.	56-00002	WIRE, COPPER, SOLID. #14AWG, MAGNET	
1	1	EA	36-00003	CORE, .2uH, OUTPUT	MICROMETALS-T38-26



DRAWN	DATE
P.E.IENI	08/15/05

SWD

MATERIAL	UNLESS OTHERWISE SPECIFIED DIMENSIONS ARE INCH [MM] TOLERANCES ARE: DECIMALS ANGLES X.XX [X.X] = ±0.01 [0.25] ±1° X.XXX [X.XX] = ±0.005 [0.127]
FINISH	
THIRD ANGLE PROJECTION	
DO NOT SCALE DRAWING	

**INDUCTOR ASSY
 OUTPUT, .2uH**

SIZE	CAGE CODE	DWG NO	REV
B	67131	30268	2
SCALE 6 : 1		SHEET 1 OF 1	

8

7

6

5

4

3

2

1