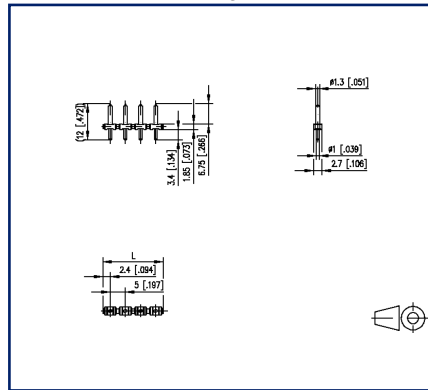


Data sheet
PR015xxVBHC Typ 017

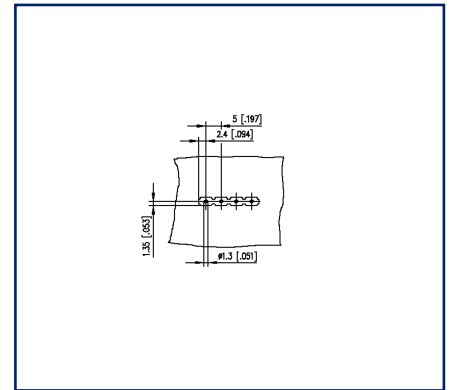
Illustrations



Dimensional drawing



Drill pattern



See enlarged drawings at the end of document

Product specification



- pin header, THR solderable
- centerline 5.00 mm, direction of connection vertical 0°
- fittable without loss of poles
- color black
- Tape & Reel packaging possible

Technical Data

General Data

Solder pin length	3.4 mm		
min. number of poles	2		
max. number of poles	24		
Insulating material class	CTI 400		
clearance/creepage dist.	3.7 mm		
Protection category	IP00		
Rated current	10 A		
Overvoltage category	III	III	II
Pollution degree	3	2	2
Rated voltage	250 V	500 V	500 V
Rated test voltage	4 kV	4 kV	4 kV

Approvals

 V / A	300 / 15
approval UL - File No.	E121004
 SEV Reg 130002	250 V / 4 kV / 10 A / 1.0 mm

Material

insulating material	PA66/6T
flammability class	V0
contact pin material	CuZnPb
contact pin surface	Ni + Ag
Glow-Wire Flammability GWFI	960 °C acc. to IEC 60695-2-12
Glow-Wire Flammability GWIT	775 °C acc. to IEC 60695-2-13
REACH	compliant
REACH - substance (SVHC)	Lead / 7439-92-1

Climatic Data

upper limit temperature	105 °C
lower limit temperature	-40 °C

general

Tolerance	ISO 2768 -mH
Solderability	Acc. to IPC/JEDEC J-STD-020D-MSL 1

U | Contact

Data sheet PR015xxVBHC Typ 017

Page 3/5

P/N
310171xx

xx=number of poles

2022/05/02

Version: Z

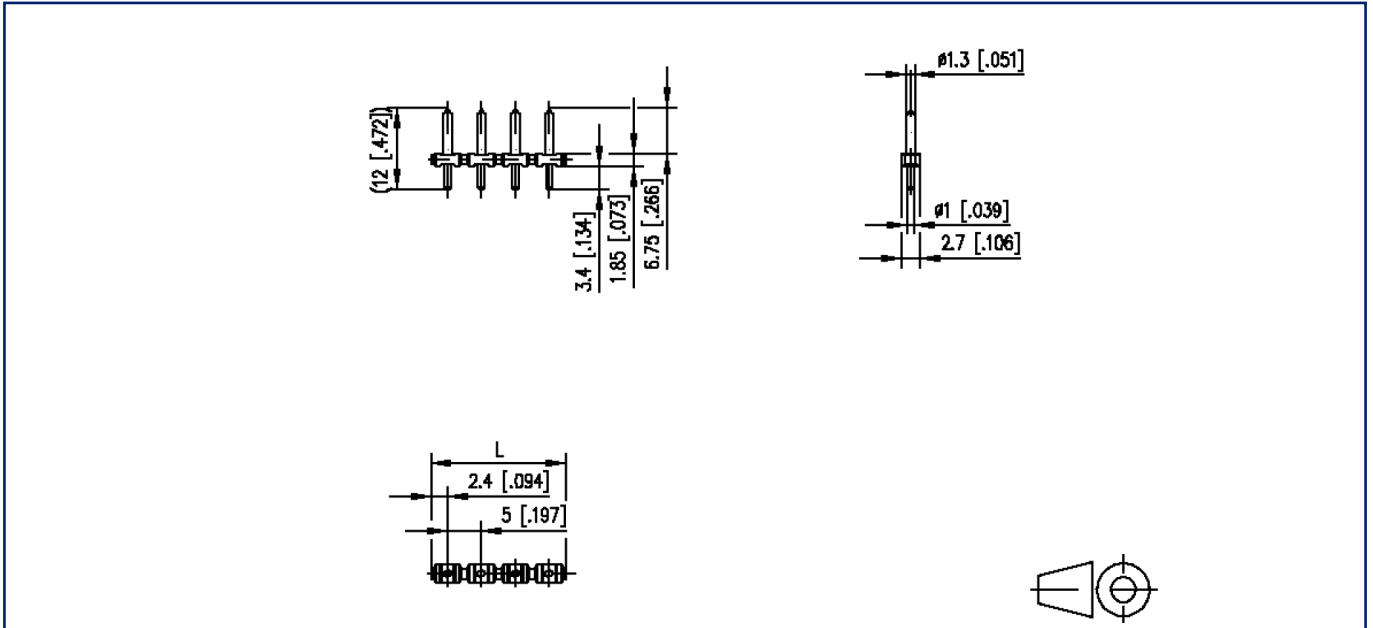
Counterpart of

P/N	Designation
310071	RP025xxIBWC Typ 007
310261	FT085xxVBFC Typ 026
310771	RP025xxIBWU Typ 077
311071	RP025xxHBWC Typ 107
ASP025	SP025xxHDNC ASP025
ASP0250204-001	SP02502HDNC ASP0250204-001
ASP0250304-001	SP02503HDNC ASP0250304-001
ASP0250404	SP025xxHDNC ASP025
ASP0250404-004	SP02504HDNC ASP0250404-004
ASP0250504-002	SP02505HDNC ASP0250504-002
ASP0250599-000	SP02505HMNC000 PROFINET
ASP0250804-004	SP02508HDNC ASP0250804-004
ASP145XX22-131	SP145xxHBPC0001
ASP155XX22-131	SP155xxHBPC0001



Illustrations

Dimensional drawing



$$L = (\text{pole size} - 1) \times \text{centerline} + 4.8 \text{ mm} [0.189]$$



Illustrations

Drill pattern

