

Data sheet

RP013xxVBWN Typ 169

Page 1/6

P/N
311691xx

xx=number of poles

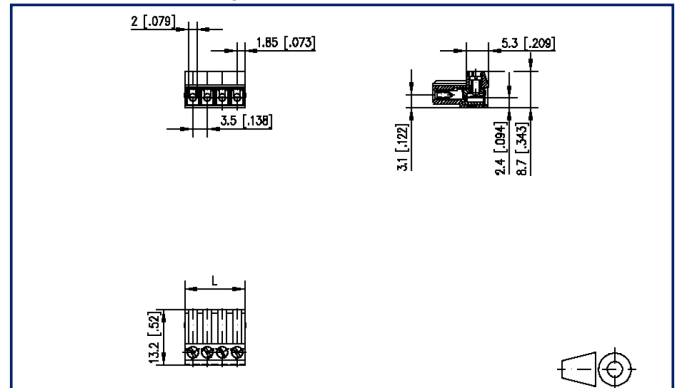
2022/04/05

Version: R

Illustrations



Dimensional drawing



See enlarged drawings at the end of document

Product specification



- screw type terminal block, pluggable
- centerline 3.50 mm, direction of connection vertical 0°
- wire protector
- color black
- wire entry codeable side perpendicular to plug direction



Technical Data

General Data			
Tightening torque SEV	0.15 Nm		
Tightening torque UL	1.3 lb-in		
min. number of poles	2		
max. number of poles	18		
Insulating material class	CTI 600		
clearance/creepage dist.	2 mm		
Protection category	IP20		
Min. insul. strip length	5 mm		
Rated current	5 A		
Overvoltage category	III	III	II
Pollution degree	3	2	2
Rated voltage	32 V	250 V	250 V
Rated test voltage	1.5 kV	1.5 kV	1.5 kV

Terminal data	
rat.wiring solid AWGmax	0.08 mm ² - 1.5 mm ² / AWG 28 - AWG 16
rat.wiring strand.AWGmax	0.08 mm ² - 1 mm ² / AWG 28 - AWG 16

Approvals	
 V / A / AWG	150 / 10 / 28 - 16
approval UL - File No.	E121004
 0.08 - 1 mm ²	5 A / 125 V / 1.5 kV / 3 /

Material	
insulating material	PA66
flammability class	V0
contact material	CuNiZn
terminal body thread	M2
terminal body material	CuZnPb
terminal body surface	Cu + Ni
screw thread	M2
screw material	8,8
screw surface	Zn Cr(VI)-frei/free
wire protector material	CuNiZn
Glow-Wire Flammability GWFI	960 °C acc. to IEC 60695-2-12

U | Contact

Data sheet RP013xxVBWN Typ 169

Page 3/6

P/N
311691xx

xx=number of poles

2022/04/05

Version: R

Technical Data

Glow-Wire Flammability GWIT	775 °C acc. to IEC 60695-2-13
REACH	compliant
REACH - substance (SVHC)	Lead / 7439-92-1

Climatic Data

upper limit temperature	105 °C
lower limit temperature	-40 °C

general

Tolerance	ISO 2768 -mH
-----------	--------------



U | Contact

Data sheet
RP013xxVBWN Typ 169

Page 4/6

P/N
311691xx

xx=number of poles

2022/04/05

Version: R

Accessories

P/N	Designation
720243-01-3	Coding star orange
720243-02-4	Coding star gray



U | Contact

Data sheet
RP013xxVBWN Typ 169

Page 5/6

P/N
311691xx

xx=number of poles

2022/04/05

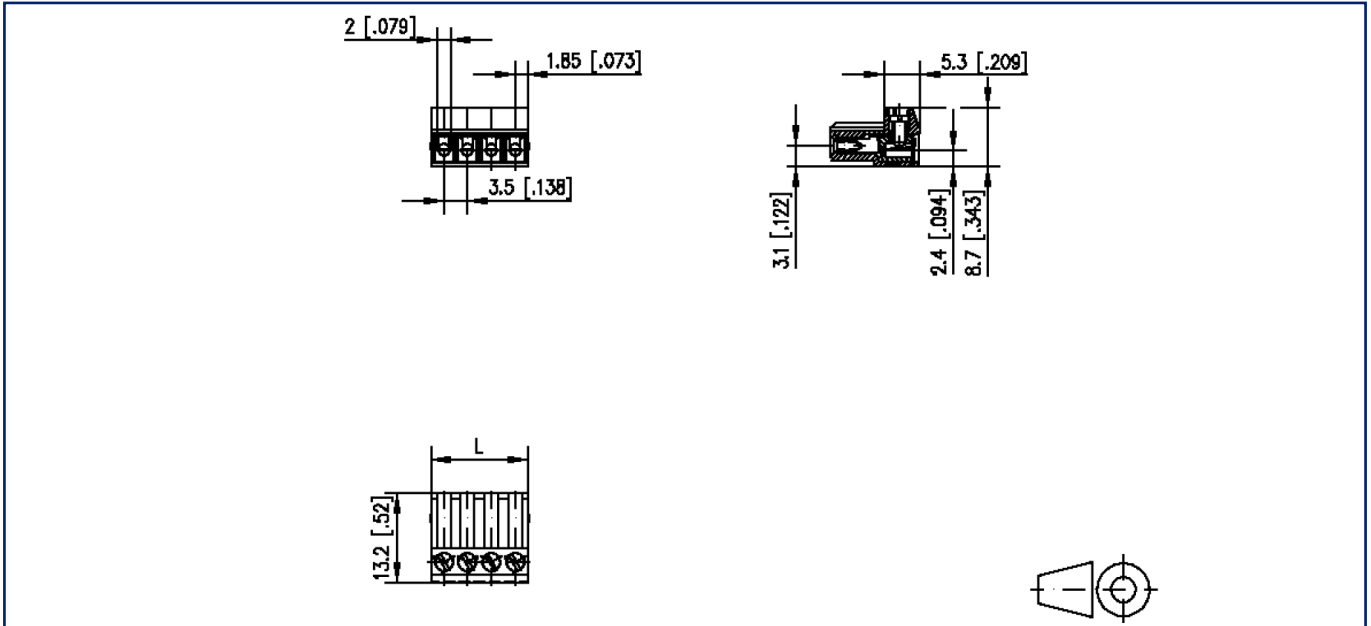
Version: R

Counterpart

P/N	Designation
311801	PT013xxHBBN Typ 180
311811	PT013xxVBBN Typ 181
311821	PT113xxHBBN Typ 182
311831	PT113xxVBBN Typ 183
311861	PT123xxHDBN Typ 186
311871	Typ 187 PT123 xxVDBO

Illustrations

Dimensional drawing



$L = (\text{pole size} - 1) \times \text{centerline} + 3.7 \text{ mm} [0.146]$