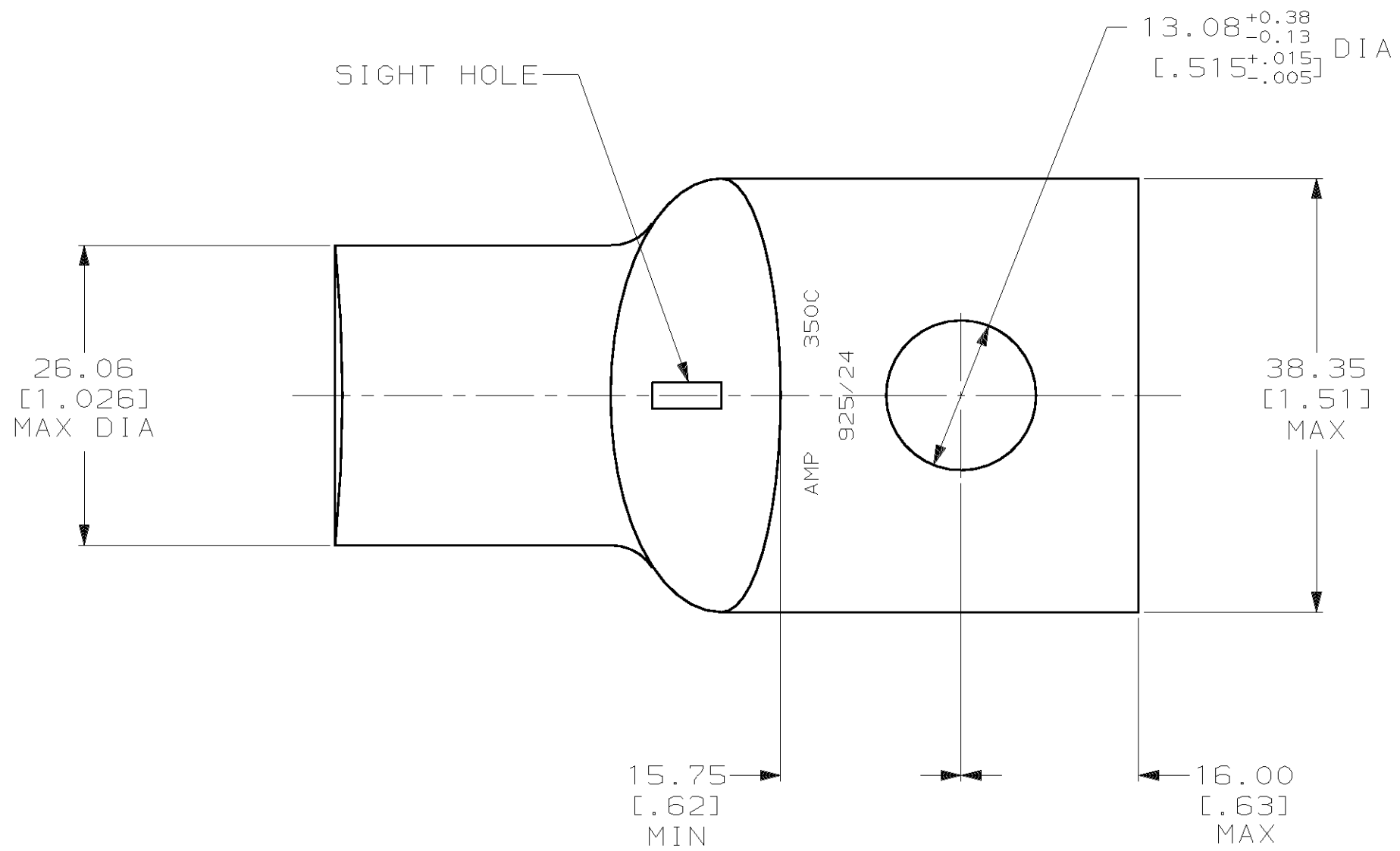
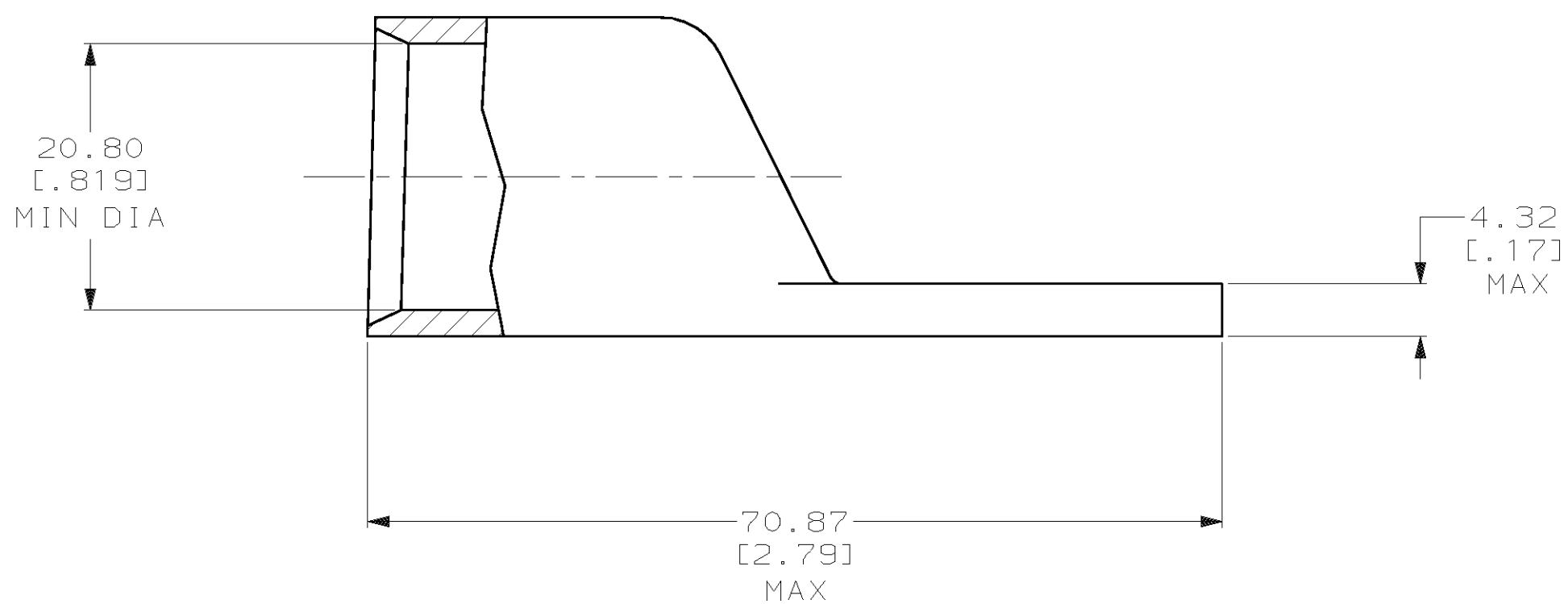


THIS DRAWING IS UNPUBLISHED. RELEASED FOR PUBLICATION  
 © COPYRIGHT 19 BY AMP INCORPORATED. ALL INTERNATIONAL RIGHTS RESERVED.

LOC		DIST		P		F		ZONE		LTR		REVISIONS		DATE	APPD
G		86													
												L	REV PER 063A-0561-01	08OCT02	JR



1 CIRCULAR MIL AREA RANGE: 325-375 MCM  
 2 TIN PL 0.00381 [0.000150] MIN THK PER MIL-T-10727



**METRIC**

DO NOT SCALE PRINT. UNLESS SPECIFIED DIMENSIONS IN mm [INCHES] TOLERANCES ON : 2 PLC DEC ± 0.51 [0.020] 3 PLC DEC ± - ANGLES ± -		DR 02/28/90 DK SCHRUM	325905	
MATERIAL ANNEALED COPPER ASTM B-75	CHK 23JAN95 MS FEHER	APPD 23JAN95 WJ VOCKROTH	PART NO	
FINISH	APPD 23JAN95 TL SHUTTER	PRODUCT SPEC 108-30200	AMP AMP INCORPORATED Harrisburg, Pa. 17105	
WEIGHT .188 LB	APPLICATION SPEC -	NAME	TERMINAL, AMPOWER™ WIRE SIZE: 350MCM	
		SIZE C	CAGE CODE 00779	DRAWING NO 325905
		SCALE 2:1		SHEET 1 OF 1

# Mouser Electronics

Authorized Distributor

Click to View Pricing, Inventory, Delivery & Lifecycle Information:

[TE Connectivity:](#)

[325905-1](#)