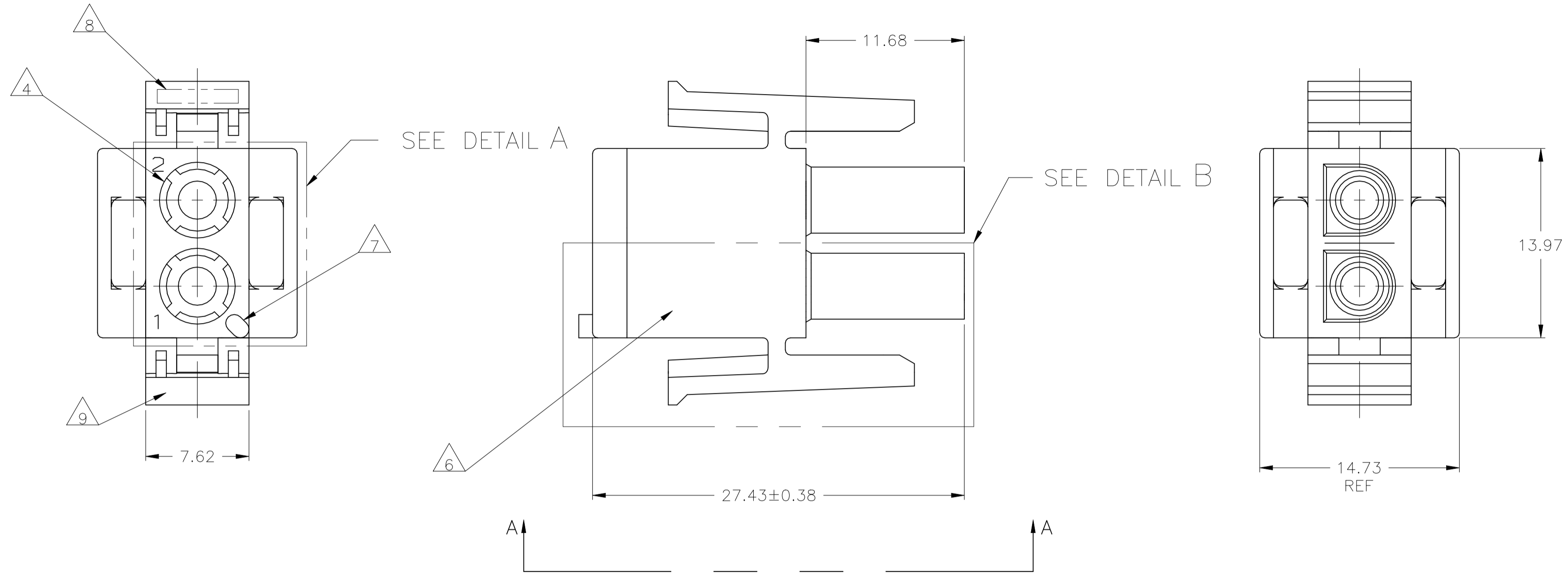
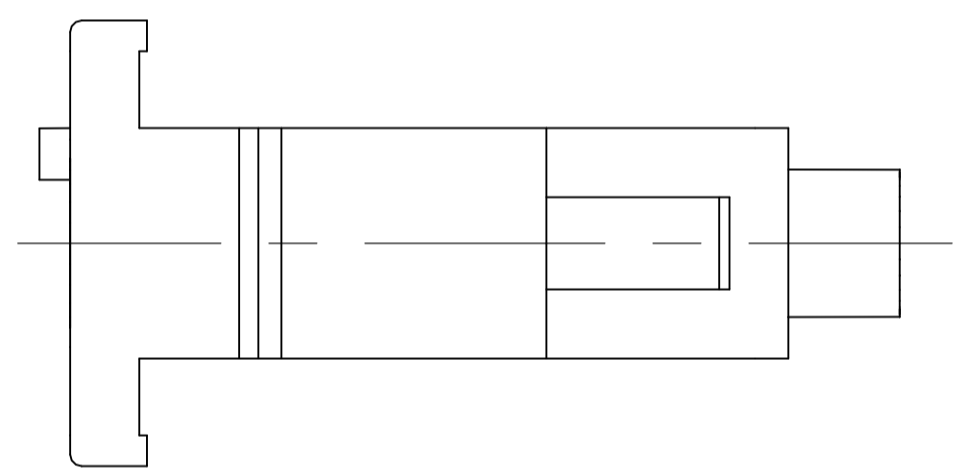


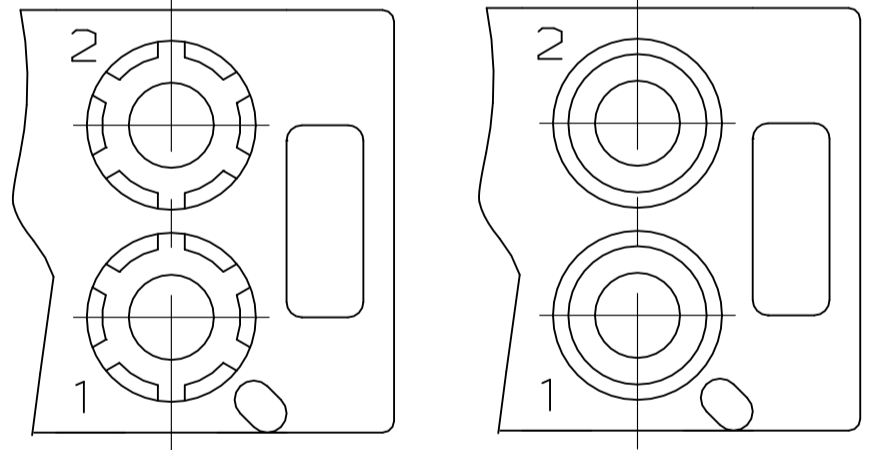
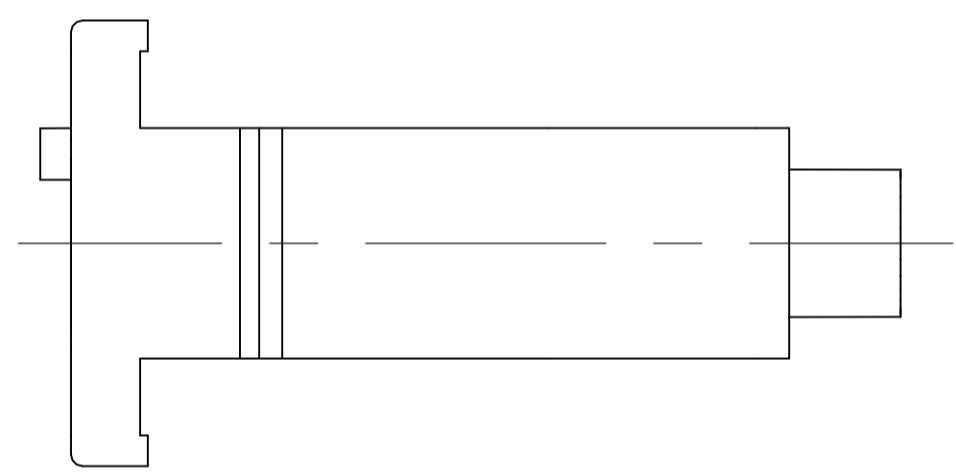
| REVISIONS |           |                           |    |     |       |
|-----------|-----------|---------------------------|----|-----|-------|
| REV       | DATE      | DESCRIPTION               | BY | CHK | APP'D |
| AE        | 06MAY2021 | REVISED PER ECR-21-100623 |    | PC  | JS    |



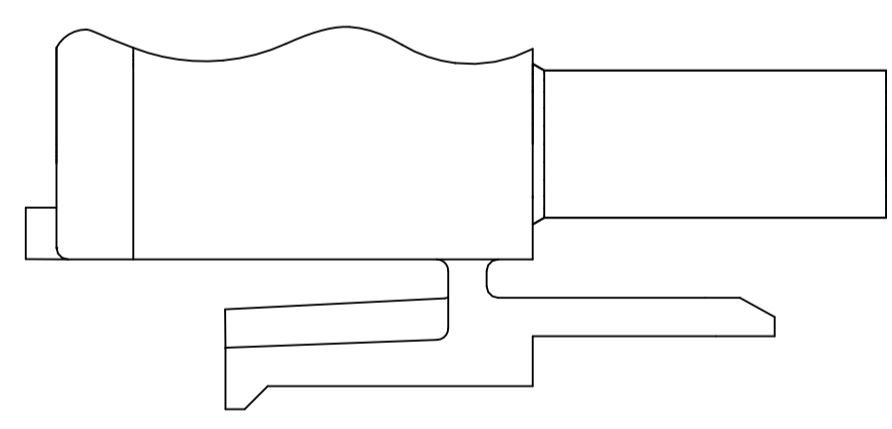
- 1 MATES WITH APPROPRIATE UNIVERSAL MATE-N-LOK™ CAP OR HEADER.
  - 2 SMALL NICKS ARE PERMITTED ON THE CIRCUIT TOWERS WHICH COULD INCREASE THE INITIAL HOUSING MATING FORCE BY UP TO 4.4 NEWTONS [1.0] LBS. NO INDIVIDUAL NICKED TOWER SHALL INCREASE THIS FORCE BY OVER 2.2 NEWTONS [.5] LBS.
  - 3 DIMENSIONS SHOWN REPRESENT PRODUCT IN DRY, AS MOLDED, CONDITION. ADDITIONAL 2% GROWTH DUE TO SUBSEQUENT MOISTURE ABSORPTION MAY OCCUR AND SHOULD BE ACCOUNTED FOR.
- △4 FOUR RIBS EQUALLY SPACED, NO SPECIFIC ORIENTATION, NO RIBS OR SIX RIBS EQUALLY SPACED, NO SPECIFIC ORIENTATION, OPTIONAL.
  - △5 NOT MANUFACTURED IN U.S.
  - △6 UNDERWRITERS RECOGNIZED COMPONENT LOGO AND CSA CERTIFICATION LOGO TO BE LOCATED ONCE ON ANY SIDE OF HOUSING.
  - △7 POSITION #1 LOCATOR FEATURE MAY BE ROUND OR OBLONG (AS DEPICTED).
  - △8 TRADEMARK LOCATION (AMP OR TE CONNECTIVITY) SHOWN FOR CONVENIENCE. LOGO MAY BE ON ANY EXTERNAL SURFACE.
  - △9 MANUFACTURING LOCATION ID (OPTIONAL).
  - △10 MATERIAL: PA66, UL94 V-0, GWIT 775°C



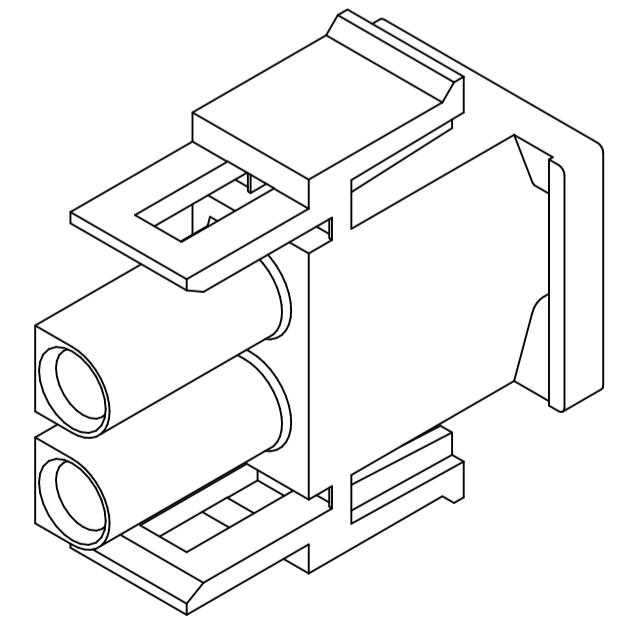
VIEW A-A  
350777-4 ONLY



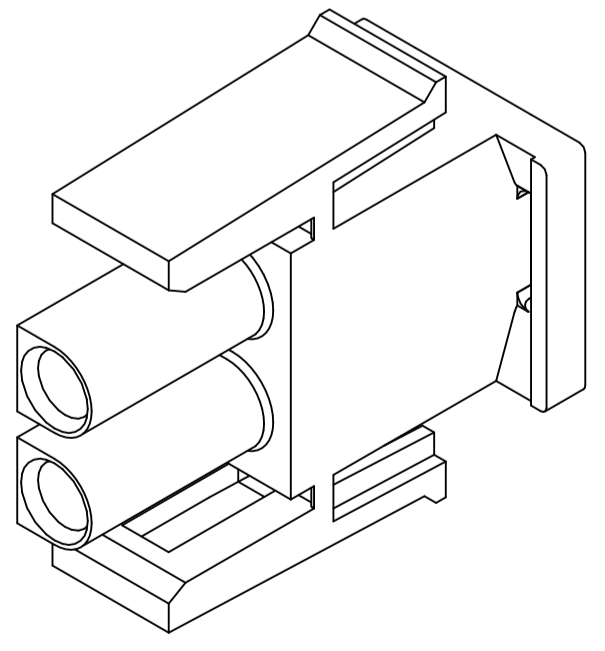
DETAIL A  
OPTIONAL CONSTRUCTION



DETAIL B  
350777-4 ONLY



350777-4 3-DIMENSIONAL MODEL  
NTS



3-DIMENSIONAL MODEL  
NTS

| MM    | IN    |
|-------|-------|
| 27.43 | 1.080 |
| 14.73 | .580  |
| 13.97 | .550  |
| 11.68 | .460  |
| 7.62  | .300  |
| 0.38  | .015  |
| 0.13  | .005  |

CONVERSION TABLE

|             |             |
|-------------|-------------|
| △10 NATURAL | 2-350777-1  |
| BLACK       | 1-350777-9  |
| GRAY        | 1-350777-8  |
| BLUE        | 1-350777-6  |
| GREEN       | 1-350777-5  |
| YELLOW      | 1-350777-4  |
| ORANGE      | 1-350777-3  |
| RED         | 1-350777-2  |
| BROWN       | 1-350777-1  |
| △5          | 350777-4    |
| NATURAL     | 350777-1    |
| COLOR       | PART NUMBER |

THIS DRAWING IS A CONTROLLED DOCUMENT.

|             |  |                      |                     |   |
|-------------|--|----------------------|---------------------|---|
| DIMENSIONS: | TOLERANCES UNLESS OTHERWISE SPECIFIED: | DIN R VESTAL 24JAN95 | REV R SWING 24JAN95 | NAME                                      |
| mm          | 0. PLC ± -                             | APPRO D SELF 24JAN95 | PRODUCT SPEC        | PLUG, 2 CIRCUIT, UNIVERSAL MATE-N-LOK(TM) |
|             | 1. PLC ± -                             | APPLICATION SPEC     | SIZE                | A1  |
|             | 2. PLC ± 0.13                          | WEIGHT               | SCALE               | 4:1                                       |
|             | 3. PLC ± -                             | CUSTOMER DRAWING     | SHEET               | 1 of 1                                    |
|             | 4. PLC ANGLES ± 0°30'                  | SCALE                | REV                 | AE  |

MATERIAL: NYLON FINISH: -

STE TE Connectivity

00779 350777

# Mouser Electronics

Authorized Distributor

Click to View Pricing, Inventory, Delivery & Lifecycle Information:

[TE Connectivity:](#)

[350777-1](#)