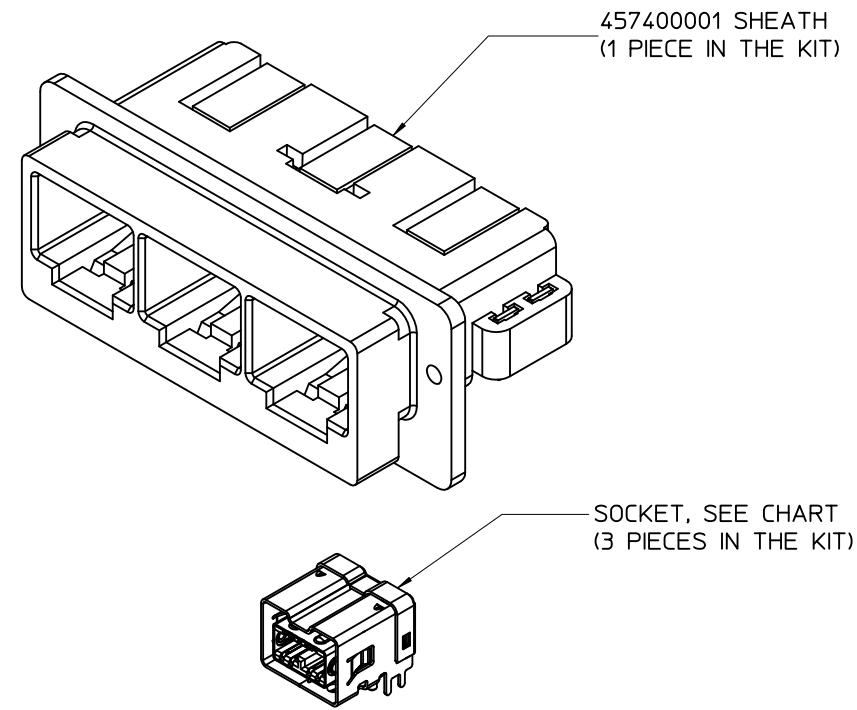


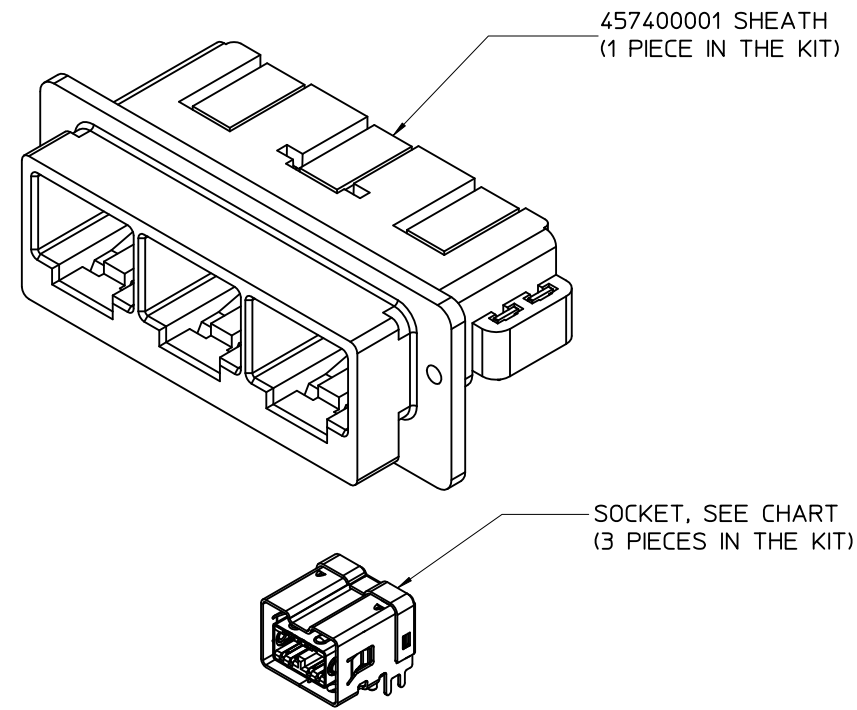
KIT PART NUMBER	KIT PACKAGING	SOCKET PART NUMBER	SOCKET PACKAGING STYLE	SHEATH PACKAGING STYLE
45740-1001	PER PK-45740-101	46270-0001	TRAY	TRAY
45740-1002	PER PK-45740-102	46270-0002	TAPE & REEL	TRAY



- NOTES:
1. MATERIAL: SEE THE BODY OF THE DRAWING.
  2. FINISH:  
TRIPLE PORT SHEATH: SEE SD-45740-001  
BILINGUAL SOCKET: SEE SD-46270-001
  3. PRODUCT SPECIFICATION: PS-45740-001
  4. PACKAGING: SEE CHART
  5. THE PARTS CONFORM TO CLASS "B" REQUIREMENTS OF COSMETIC SPECIFICATION PS-45499-002.

<b>ADD SOCKET PART #</b> EC NO: UCP2011-2133 3) DRAWN/KKIPPER 2011/01/18 CHKD: BANDERSON 2011/01/18 APPR: FSMITH 2011/01/27	QUALITY SYMBOLS $\nabla F/0$ $\nabla F/0$ $\nabla F/0$	GENERAL TOLERANCES (UNLESS SPECIFIED)		DIMENSION STYLE <b>MM ONLY</b>		SCALE <b>2:1</b>	DESIGN UNITS <b>METRIC</b>	THIRD ANGLE PROJECTION																													
		<table border="1"> <thead> <tr> <th></th> <th>mm</th> <th>INCH</th> </tr> </thead> <tbody> <tr> <td>4 PLACES</td> <td>± ---</td> <td>± ---</td> </tr> <tr> <td>3 PLACES</td> <td>± ---</td> <td>± ---</td> </tr> <tr> <td>2 PLACES</td> <td>± ---</td> <td>± ---</td> </tr> <tr> <td>1 PLACE</td> <td>± ---</td> <td>± ---</td> </tr> </tbody> </table>		mm	INCH	4 PLACES	± ---	± ---	3 PLACES	± ---	± ---	2 PLACES	± ---	± ---	1 PLACE	± ---	± ---	<table border="1"> <thead> <tr> <th>DRAWN BY</th> <th>DATE</th> </tr> </thead> <tbody> <tr> <td>PELOZA</td> <td>04/05/07</td> </tr> <tr> <th>CHECKED BY</th> <th>DATE</th> </tr> <tr> <td>PELOZA</td> <td>04/05/07</td> </tr> <tr> <th>APPROVED BY</th> <th>DATE</th> </tr> <tr> <td>COMERCI</td> <td>04/05/07</td> </tr> </tbody> </table>	DRAWN BY	DATE	PELOZA	04/05/07	CHECKED BY	DATE	PELOZA	04/05/07	APPROVED BY	DATE	COMERCI	04/05/07	TITLE <b>SHEATH AND SOCKET KIT TRIPLE PORT SHEATH</b>		<b>MOLEX INCORPORATED</b>		DOCUMENT NO. <b>SD-45740-101</b>		SHEET NO. <b>1 OF 1</b>
		mm	INCH																																		
	4 PLACES	± ---	± ---																																		
3 PLACES	± ---	± ---																																			
2 PLACES	± ---	± ---																																			
1 PLACE	± ---	± ---																																			
DRAWN BY	DATE																																				
PELOZA	04/05/07																																				
CHECKED BY	DATE																																				
PELOZA	04/05/07																																				
APPROVED BY	DATE																																				
COMERCI	04/05/07																																				
<b>C2</b>	DRAFT WHERE APPLICABLE MUST REMAIN WITHIN DIMENSIONS	MATERIAL NO. <b>SEE CHART</b>		THIS DRAWING CONTAINS INFORMATION THAT IS PROPRIETARY TO MOLEX INCORPORATED AND SHOULD NOT BE USED WITHOUT WRITTEN PERMISSION																																	

KIT PART NUMBER	KIT PACKAGING	SOCKET PART NUMBER	SOCKET PACKAGING STYLE	SHEATH PACKAGING STYLE
45740-1001	PER PK-45740-101	46270-0001	TRAY	TRAY
45740-1002	PER PK-45740-102	46270-0002	TAPE & REEL	TRAY



- NOTES:
1. MATERIAL: SEE THE BODY OF THE DRAWING.
  2. FINISH:  
TRIPLE PORT SHEATH: SEE SD-45740-001  
BILINGUAL SOCKET: SEE SD-46270-001
  3. PRODUCT SPECIFICATION: PS-45740-001
  4. PACKAGING: SEE CHART
  5. THE PARTS CONFORM TO CLASS "B" REQUIREMENTS OF COSMETIC SPECIFICATION PS-45499-002.

<b>ADD SOCKET PART #</b> EC NO: UCP2011-2133 3) DRAWN/KIPPER 2011/01/18 CHKD: BANDERSON 2011/01/18 APPR: FSMITH 2011/01/27	QUALITY SYMBOLS $\nabla F=0$ $\nabla F=0$ $\nabla F=0$	GENERAL TOLERANCES (UNLESS SPECIFIED)		DIMENSION STYLE <b>MM ONLY</b>		SCALE <b>2:1</b>	DESIGN UNITS <b>METRIC</b>	THIRD ANGLE PROJECTION																				
		<table border="1"> <thead> <tr> <th></th> <th>mm</th> <th>INCH</th> </tr> </thead> <tbody> <tr> <td>4 PLACES</td> <td>± ---</td> <td>± ---</td> </tr> <tr> <td>3 PLACES</td> <td>± ---</td> <td>± ---</td> </tr> <tr> <td>2 PLACES</td> <td>± ---</td> <td>± ---</td> </tr> <tr> <td>1 PLACE</td> <td>± ---</td> <td>± ---</td> </tr> </tbody> </table>		mm	INCH	4 PLACES	± ---	± ---	3 PLACES	± ---	± ---	2 PLACES	± ---	± ---	1 PLACE	± ---	± ---	<table border="1"> <thead> <tr> <th>mm</th> <th>INCH</th> </tr> </thead> <tbody> <tr> <td colspan="2">ANGULAR ±1/2°</td> </tr> </tbody> </table>	mm	INCH	ANGULAR ±1/2°		DRAWN BY PELOZA	DATE 04/05/07	TITLE <b>SHEATH AND SOCKET KIT TRIPLE PORT SHEATH</b>			
		mm	INCH																									
	4 PLACES	± ---	± ---																									
3 PLACES	± ---	± ---																										
2 PLACES	± ---	± ---																										
1 PLACE	± ---	± ---																										
mm	INCH																											
ANGULAR ±1/2°																												
				CHECKED BY PELOZA	DATE 04/05/07	MOLEX INCORPORATED																						
				APPROVED BY COMERCI	DATE 04/05/07	DOCUMENT NO. <b>SD-45740-101</b>		SHEET NO. 1 OF 1																				
<b>C2</b>	REV	DRAFT WHERE APPLICABLE MUST REMAIN WITHIN DIMENSIONS		SEE CHART		THIS DRAWING CONTAINS INFORMATION THAT IS PROPRIETARY TO MOLEX INCORPORATED AND SHOULD NOT BE USED WITHOUT WRITTEN PERMISSION																						

# Mouser Electronics

Authorized Distributor

Click to View Pricing, Inventory, Delivery & Lifecycle Information:

[Molex:](#)

[45740-1001](#)