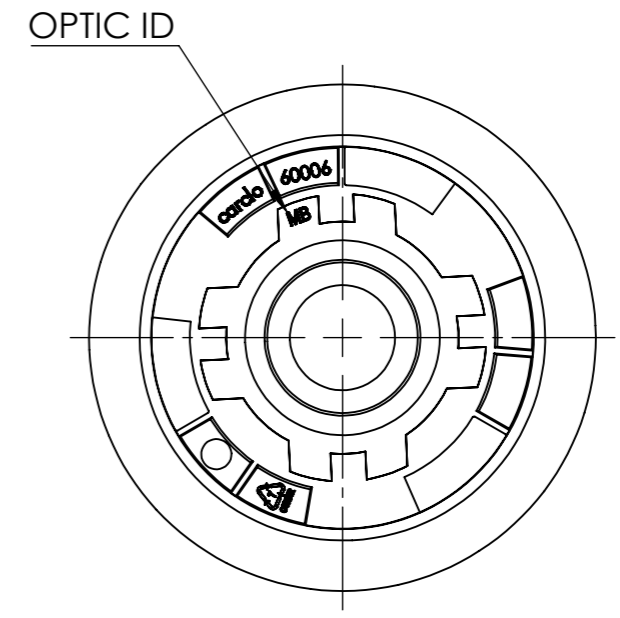
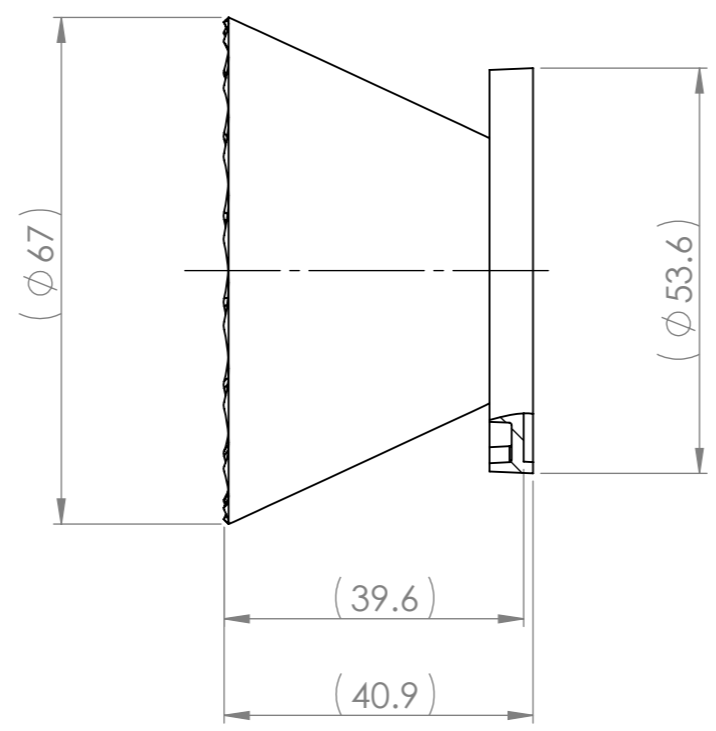
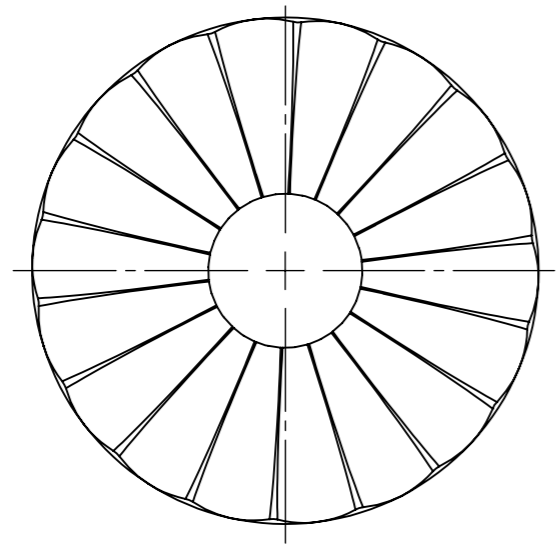
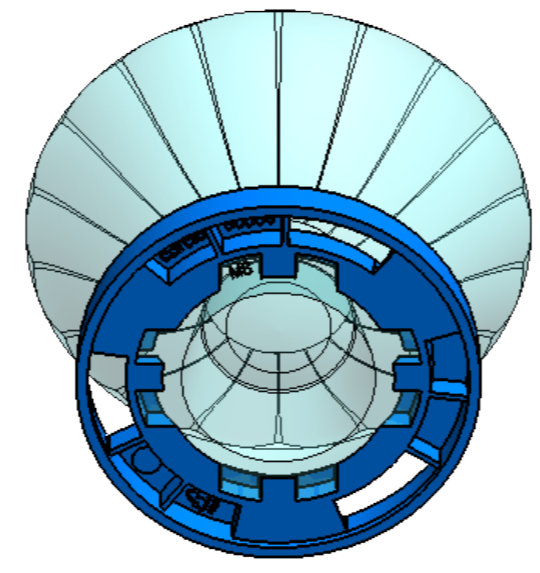
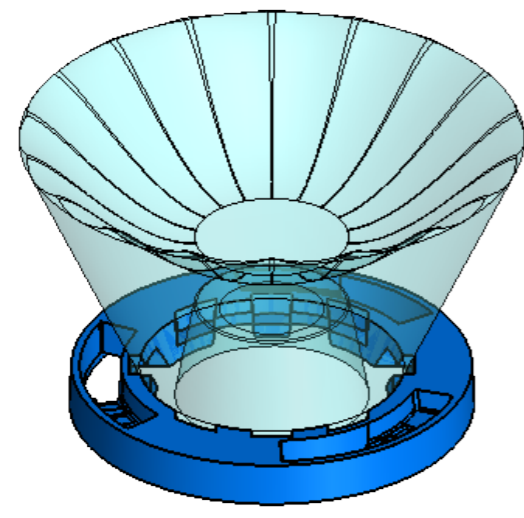


REVISIONS			
REV.	ECN No	DESCRIPTION	DATE
1		PRODUCTION RELEASE PART M.WELLS	30/06/2017
2	1553	HOLDER CLIP-IN IMPROVED. M.WELLS	03/08/2017
3	1556	HOLDER TOOLING IMPROVEMENT. M.WELLS	13/09/2017



NOTES:

- 1 - MATERIALS:
HOLDER - GLASS FILLED PBT WHITE
OPTIC - SILICONE
- 2 - FINISH: ALL OPTIC SURFACES ARE OPTICALLY POLISHED
- 3 - AUXILLIARY DIMENSIONS ARE FOR INFORMATION ONLY AND MUST NOT TO BE USED FOR INSPECTION

CUSTOMER DRAWING

SHEET 2 OF 2

 Unit 6-7 Faraday Road Rabans Lane Industrial Area, Aylesbury, HP19 8RY, UK. Tel: +44(0) 01753 575 011 sales@carclo-optics.com www.carclo-optics.com	Title		OVERMOULDED SILICONE OPTIC - MEDIUM BEAM ON TE / MOLEX HOLDER			
	Drawn by	M.WELLS	Customer	CARCLO STANDARD PRODUCT	Scale	1:1
THIRD ANGLE PROJECTION	GENERAL TOLERANCES UNLESS OTHERWISE STATED DIN16742: TG5 / TG6		CARCLO Optics CONFIDENTIAL: UNAUTHORISED COPYING, DISCUSSION & DISTRIBUTION PROHIBITED		DIMENSION IN mm	
			CAD File	60038_Rev-3_TE_MB	Format Size	A3
			Part N°	60038	Project N°	00296