



Keylock Rotary Switches

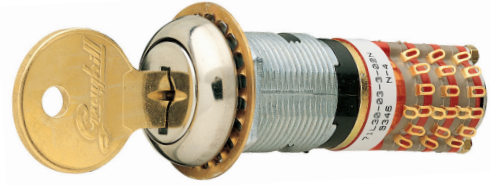
SERIES 71 J and L Multi-Deck, Standard & Anti-Static

LOCK FEATURES

- Economical
- Standard or Anti-Static Style
- 5-Plates, 1-Sided Key

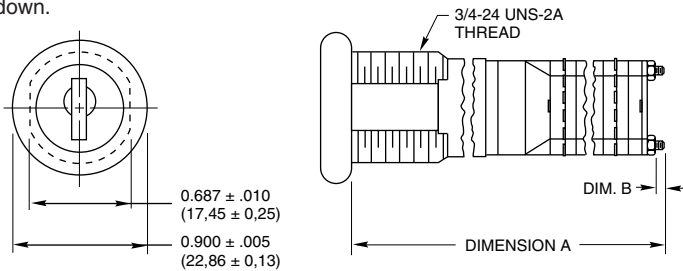
SWITCH FEATURES

- Economical
- 36° or 30° Throws
- Up to 16 Poles Per Switch
- 250 mA for 15,000 Cycles



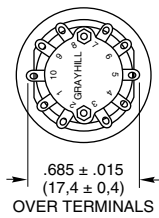
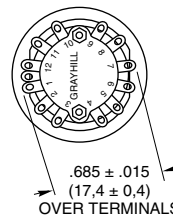
DIMENSIONS in inches (and millimeters)

Key slot shown in position 1.
Key to be inserted with cut
side down.



30°

36°



Note: Switch/key positions are not aligned with terminal positions.

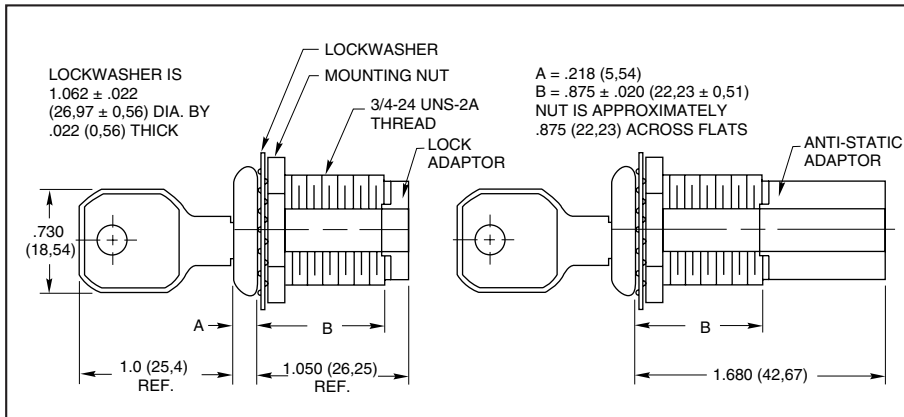
| Number of decks | 1 | 2 | 3 | 4 | 5 | 6 | 7 | 8 | 9 | 10 | 11 | 12 |
|--------------------------|-------|-------|-------|-------|-------|-------|--------|--------|--------|--------|--------|--------|
| Dim. A, Style J (In.) | 2.441 | 2.659 | 2.877 | 3.095 | 3.313 | 3.811 | 4.029 | 4.247 | 4.465 | 4.683 | 4.901 | 5.119 |
| Dim. A, Style L (In.) | 1.811 | 2.029 | 2.247 | 2.465 | 2.683 | 3.181 | 3.399 | 3.617 | 3.835 | 4.053 | 4.271 | 4.489 |
| Dim. B Style J & L (In.) | .031 | .031 | .031 | .031 | .031 | .312 | .312 | .312 | .312 | .312 | .312 | .312 |
| Dim. A, Style J (mm) | 62,00 | 67,54 | 73,08 | 78,61 | 84,15 | 96,80 | 102,34 | 107,87 | 113,41 | 118,95 | 124,49 | 130,02 |
| Dim. A, Style L (mm) | 46,00 | 51,54 | 57,07 | 62,61 | 68,15 | 80,80 | 86,33 | 91,87 | 97,41 | 102,95 | 108,48 | 114,02 |
| Dim. B Style J & L (mm) | 0,79 | 0,79 | 0,79 | 0,79 | 0,79 | 7,92 | 7,92 | 7,92 | 7,92 | 7,92 | 7,92 | 7,92 |

For switch specifications and additional dimensions, see Standard Switch Pages.

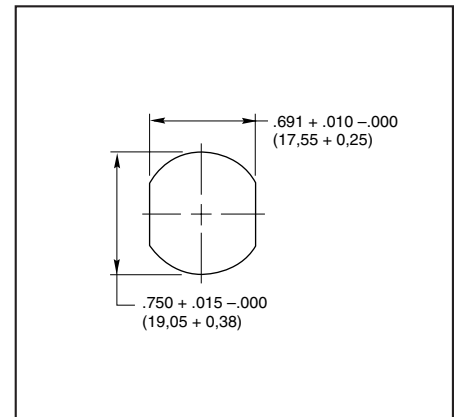
Grayhill part number and date code marked on label.
Customer part number marked on request.

Rotary Switches

LOCK DETAIL



RECOMMENDED PANEL CUT



CHOICES

| Style | Description | Angle of Throw | No. Of Decks | Poles/ Deck | Positions Per Pole | Shorting or Non-Shrtg. | |
|---------------------------|---|----------------|--------------|-------------|--------------------|------------------------|--------|
| Series 71 Switches | | | | | | | |
| L J | Standard, Solder Lugs Anti-static, Solder Lugs | 30° | 01 to 12 | 1 | 02 to 12* | N or S | |
| | | | 01 to 08 | 2 | 02 to 06 | N or S | |
| | | | 01 to 05 | 3 | 02 to 03 | N or S | |
| | | | 01 to 04 | 4 | 02 to 03 | N or S | |
| | | | 01 to 03 | 5 | 02 | N or S | |
| | | | 01 or 02 | 6 | 02 | N or S | |
| | | 36° | | 01 to 12 | 1 | 02 to 10* | N or S |
| | | | | 01 to 08 | 2 | 02 to 05 | N or S |

*For single pole switches with maximum positions, specify continuous rotation or fixed stop when ordering.

LOCK SPECIFICATIONS

Mounting: By bushing, nut and lockwasher
Static Voltages: Anti-static style withstands 15,000 Vdc
Keying: All locks have identical keys unless specially ordered otherwise

Key Removal
 30° Throw: Position 1 and 180°
 Special key removal: Every 90°
 36° Throw: All positions
 Special key removal: Position 1 only

Orientation of Keylock Switch: Bushing flats are on both sides of the mounting thread with the key upright in the first position with cut side down.

LOCK MATERIALS & FINISHES

Keys: Brass; 2 supplied
Lock Bezel: Stainless steel
Lock Barrel & Plug: Zinc treated with chromate
Lock Adaptor/Extension: Thermoplastic

ORDERING INFORMATION

Series
Style Letter: L for standard; J for anti-static
Angle of Throw: 30 or 36
Number of Decks: 01 thru 12 (per Choices chart)
Poles per Deck: 1 thru 6 (per Choices chart)
Positions per Pole: 02 thru 12 (per Choices chart)
Type of Contacts:
 N = Non-shorting
 S = Shorting
Stop Arrangement Suffix:
 (needed only for 1-pole switches with maximum positions)
 F = Fixed stop between last and first positions
 *Leave blank for continuous rotation

71 L 30-03-1-12N-F

STANDARD SWITCH PAGES

For additional switch dimensions, ratings, circuitry, and specifications, see Series 71 datasheet.

Available from your local Grayhill Distributor.
 For prices and discounts, contact a local Sales Office, an authorized local Distributor or Grayhill.

Rotary Switches