

1

2

3

4

5

6

7

A

A

B

B

C

C

D

D

E

E

F

F

G

G

H

H

Notes:

Material:

- Item ① Housing: Nylon PA9T G.F. UL94V-0 Black
- Item ② Pin Terminal: Brass t=0.2mm Contact
Contact Area: Gold 30~50u" over Ni 1.5~2.5u"
Solder Area: Tin plated

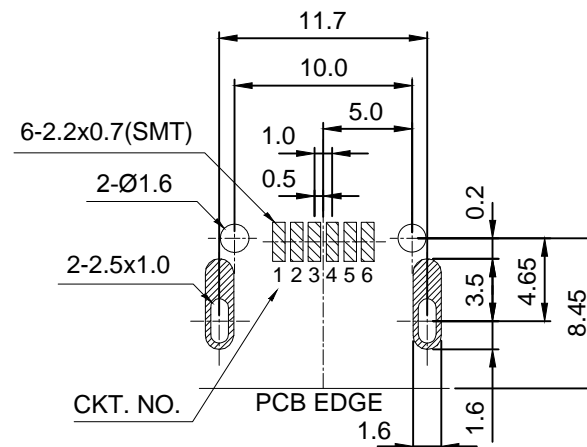
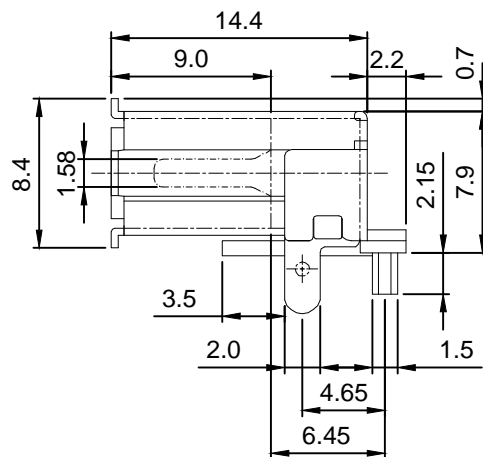
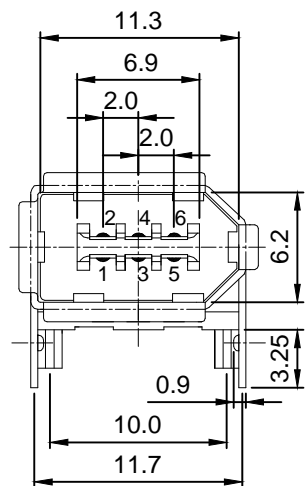
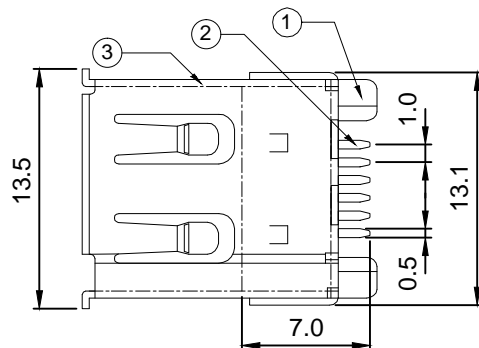
- Item ③ Shell: Brass t=0.4mm Nickel Plated

Electrical:

- Current rating: 1.5A max.
- Voltage rating: 40V max.
- Withstanding Voltage: 500V/1minute
- Contact Resistance: 30m ohms max.
- Insulation Resistance: 1000M ohms min. at DC 500V


Mechanical:

- Durability: 1500 Cycles
- Unmating Force: 9.8 Newton To 39.2 Newton Maximum.
- Operating temperature :-55°C ~ +85°C



COMPONENT SIDE
PCB LAYOUT

RoHS compliant

Scale	Free					Date	Name	Customer-No.
TOLERANCE						Drawn	20.06.2018	Xavier
X.	±0.50					Approved	20.06.2018	Winnie
X.X	±0.30							
X.XX	±0.10							
Angle	±1°	①	Update the Notes	20.06.2018	Xavier			
		②	Drawn	20.06.2018	Xavier			
		Id.	Modification	Date	Name			

ASSMANN WSW-No.
A-IES-SMT

Drawing-No.
ASS 8004 CO rev01

Replace Sheet
1/1

1

2

3

4

5

6

7