

Overview

The SQI SuperFlash Kit 1 contains three Serial Flash Daughter Boards. The Serial Flash Daughter Board is an evaluation board designed to interface with the mikroBUS™ connector on the Explorer 16/32 Development Board (DM240001-2). It can also interface with the PICTail™ Plus connector that is located on the Explorer 16 Development Board (DM240001).

Inside the Box

The box contains 3 Serial Flash Daughter Boards. Each board has a SQI Flash device soldered on it. Table 1 lists the board numbers with corresponding Flash devices, and the appropriate J3 jumper settings.

TABLE 1: J3 JUMPER SETTINGS

Board Number	SPI Flash Device	J3 Jumper Setting
02-10609-4	SST26VF064B	Pin 2 and Pin 3
02-10609-5	SST26VF032B	Pin 2 and Pin 3
02-10609-6	SST26WF016B	Pin 1 and Pin 2

Key Features of the Board

- 3-pin header provides easy access for the external power supply and power measurement capability
- Plugs into the mikroBUS connector of the Explorer 16/32 Development Board
- Plugs into the PICTail Plus connector of the Explorer 16 Development Board
- Follows published recommended usage, including decoupling capacitors

Getting Started

The Serial Flash Daughter Board allows you to get started right out of the box. By using the daughter board and the Explorer 16/32 Development Board, code can be developed quickly on known good hardware.

Example code is available for download from the resources area:
www.microchip.com/superflash

Americas

Atlanta, GA - 678-957-9614
 Austin, TX - 512-257-3370
 Boston, MA - 774-760-0087
 Chicago, IL - 630-285-0071
 Dallas, TX - 972-818-7423
 Detroit, MI - 248-848-4000
 Houston, TX - 281-894-5983
 Indianapolis, IN - 317-773-8323
 Los Angeles, CA - 949-462-9523
 Raleigh, NC - 919-844-7510
 New York, NY - 631-435-6000
 Phoenix - 480-792-7200
 San Jose, CA - 408-735-9110
 Canada - Toronto - 905-695-1980

Europe

Austria - Wels - 43-7242-2244-39
 Denmark - Copenhagen - 45-4450-2828
 Finland - Espoo - 358-9-4520-820
 France - Paris - 33-1-69-53-63-20
 France - Saint Cloud - 33-1-30-60-70-00
 Germany - Garching - 49-8931-9700
 Germany - Haan - 49-2129-3766400
 Germany - Heilbronn - 49-7131-67-3636
 Germany - Karlsruhe - 49-721-625370
 Germany - Munich - 49-89-627-144-0
 Italy - Milan - 39-0331-742611
 Italy - Padova - 39-049-7625286
 Netherlands - Druenen - 31-416-690399
 Norway - Trondheim - 47-7289-7561
 Poland - Warsaw - 48-22-3325737
 Spain - Madrid - 34-91-708-08-90
 Sweden - Gothenberg - 46-31-704-60-40
 Sweden - Stockholm - 46-8-5090-4654
 UK - Wokingham - 44-118-921-5800

Asia/Pacific

Hong Kong - 852-2943-5100
 Australia - Sydney - 61-2-9868-6733
 China - Beijing - 86-10-8569-7000
 China - Chengdu - 86-28-8665-5511
 China - Chongqing - 86-23-8980-9588
 China - Dongguan - 86-769-8702-9880
 China - Guangzhou - 86-20-8755-8029
 China - Hangzhou - 86-571-8792-8115
 China - Hong Kong SAR - 852-2943-5100
 China - Nanjing - 86-25-8473-2460
 China - Qingdao - 86-532-8502-7355
 China - Shanghai - 86-21-3326-8000
 China - Shenyang - 86-24-2334-2829
 China - Shenzhen - 86-755-8864-2200
 China - Wuhan - 86-27-5980-5300
 China - Xiamen - 86-592-2388138
 China - Xian - 86-29-8833-7252
 China - Zhuhai - 86-756-3210040
 India - Bangalore - 91-80-3090-4444
 India - New Delhi - 91-11-4160-8631
 India - Pune - 91-20-3019-1500
 Japan - Osaka - 81-6-6152-7160
 Japan - Tokyo - 81-3-6880-3770
 Korea - Daegu - 82-53-744-4301
 Korea - Seoul - 82-2-554-7200
 Malaysia - Kuala Lumpur - 60-3-6201-9857
 Malaysia - Penang - 60-4-227-8870
 Philippines - Manila - 63-2-634-9065
 Singapore - 65-6334-8870
 Taiwan - Hsin Chu - 886-3-5778-366
 Taiwan - Kaohsiung - 886-7-213-7830
 Taiwan - Taipei - 886-2-2508-8600
 Thailand - Bangkok - 66-2-694-1350

11/08/16

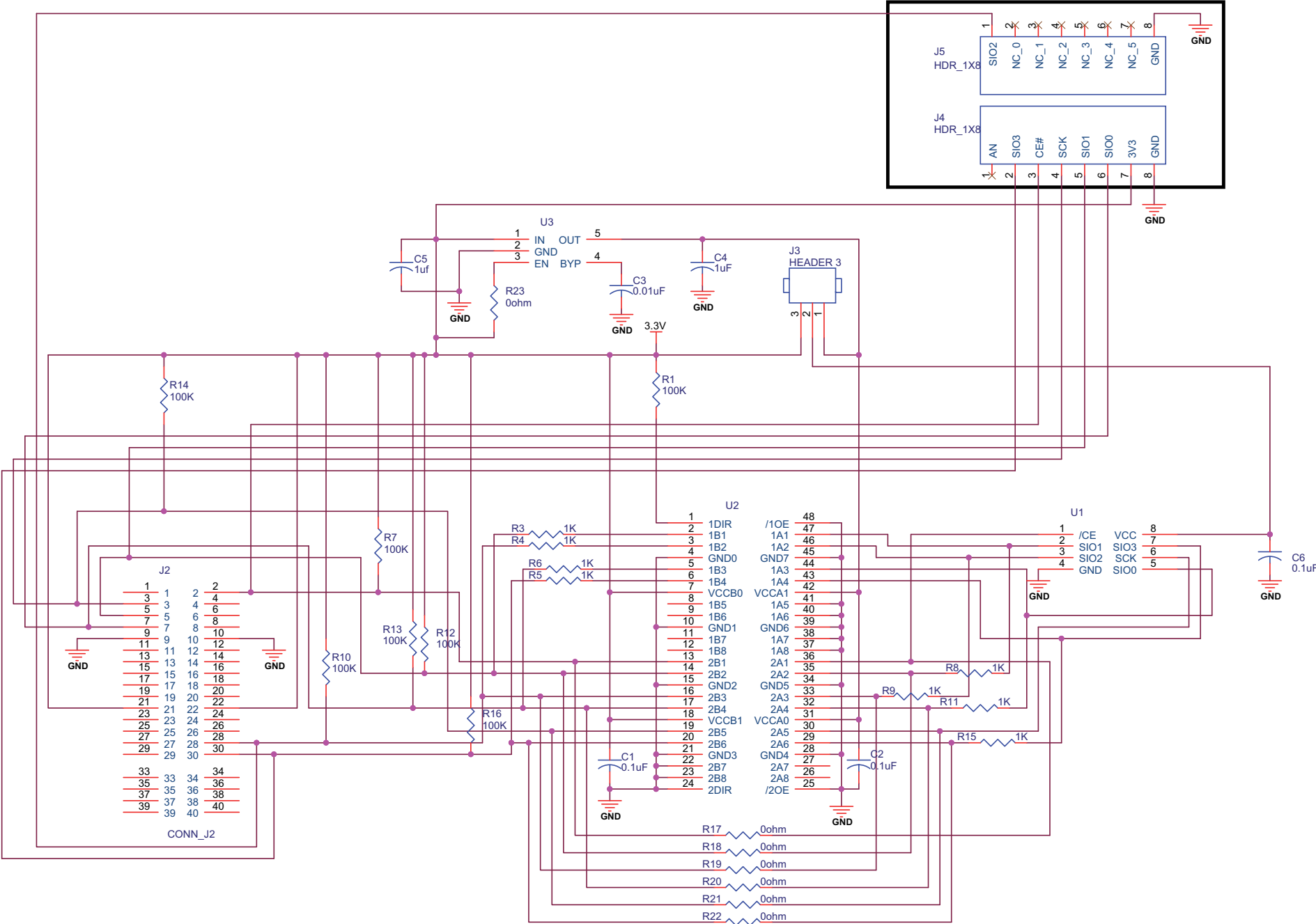


Microchip Technology Inc. • 2355 West Chandler Blvd. • Chandler, AZ 85224-6199

www.microchip.com

The Microchip name and logo and the Microchip logo are registered trademarks of Microchip Technology Inc. in the U.S.A. and other countries. SuperFlash is a registered trademark of Microchip Technology Inc. in the U.S.A. and other countries. PICTail is a trademark of Microchip Technology Inc. in the U.S.A. and other countries. All other trademarks mentioned herein are property of their respective companies.

Serial Flash Daughter Board Schematic



Mouser Electronics

Authorized Distributor

Click to View Pricing, Inventory, Delivery & Lifecycle Information:

[Microchip:](#)

[AC243009](#)