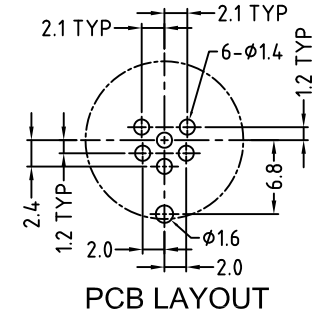
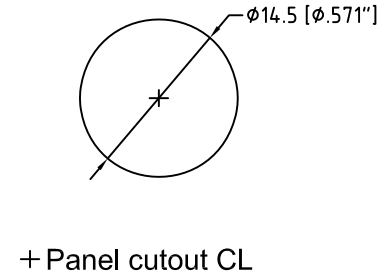
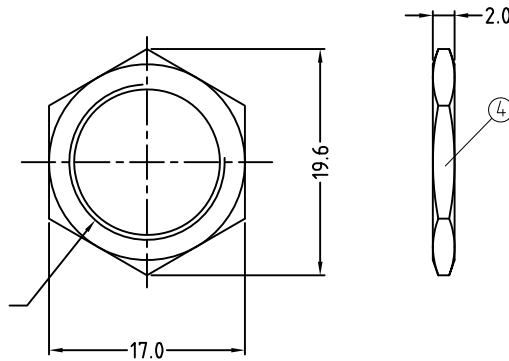
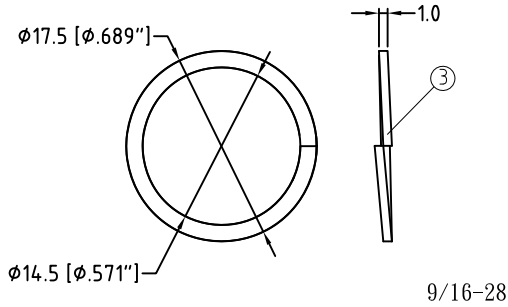
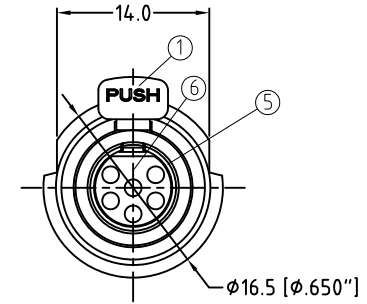
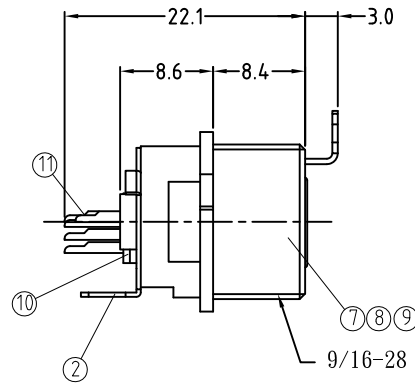


ISO VIEW



| 11 | SOCKET CONTACTS | Brass/Au Plated | 6 |
|------|-----------------|-------------------|-----|
| 10 | SPRING WASHER | PPS/Black | 1 |
| 9 | SPRING | SUS 304/Ni Plated | 1 |
| 8 | LATCH SPRING | SUS 304/Ni Plated | 1 |
| 7 | MACHINED SHELL | Brass/Ni Plated | 1 |
| 6 | INSULATOR | PPS/Black | 1 |
| 5 | MACHINED SHELL | Brass/Ni Plated | 1 |
| 4 | METAL NUT | Brass/Ni Plated | 1 |
| 3 | SPRING WASHER | SUS 304/Ni Plated | 1 |
| 2 | GROUND CONTACT | Brass/Ni Plated | 1 |
| 1 | PUSH LEVEL | Brass/Ni Plated | 1 |
| ITEM | DESCRIPTION | MATERIAL/FINISH | QTY |

Specification:

Electrical:

Contact resistance: <0.03 ohm
 Insulation resistance: >500Megaohm
 Dielectric strength: 250VDC
 Rated current: 1.5A

Mechanical:

Lifetime: Insert & withdraw >5000 cycle
 Insertion/withdrawal 10lb Max.

| | | | | | | | | | | |
|--|-------------|---|--|------------------------|----------------|--|--|---|----------------|--------|
| UNLESS OTHERWISE SPECIFIED TOLERANCE TO BE | | THIS DOCUMENT IS THE PROPERTY OF AMPHENOL AUSTRALIA PTY. LTD. NO PART THEREOF MAY BE REPRODUCED AND USED WITHOUT THE PRIOR WRITTEN CONSENT OF THE OWNER | | | | 1 | CORRECT DIMENSIONS OF THE NUT TO 17mm & 19.6mm CHANGE TO MEET RAW MATERIAL SIZES | M.H | 25-07-17 | 9445 |
| LINEAR | ANGULAR | CAD FILE: 55010861300111 | | DRN: M.H | DATE: 09-10-12 | 0 | FIRST ISSUE | M.H | 09-10-12 | ---- |
| X ± 0.50 | X° ± 1° | MATERIAL: SEE TABLE | | CKD: M.H | DATE: 25-07-17 | REV. | CHANGE DETAILS | BY | DATE | CHG/No |
| X.X ± 0.25 | X*X ± 30' | DO NOT SCALE | | FINISH: SEE TABLE | APP'D: P.M | TITLE: MINI XLR FEMALE RECEPTACLE CUSTOMER DWG | | 22 Industry Boulevard, Carrum Downs, Vic 3201 | | |
| X.XX ± 0.10 | X*X*X ± 15' | DIMENSIONS IN MILLIMETRES | | THIRD ANGLE PROJECTION | SCALE: 2:1 UDS | PART No: AG6FCE | | SIZE: A3 | 55010861-300-1 | |
| BREAK ALL SHARP EDGES AND REMOVE ALL BURRS | | DRAWING NO. | | SHEET | | DRAWING NO. | | SHEET | | |

Mouser Electronics

Authorized Distributor

Click to View Pricing, Inventory, Delivery & Lifecycle Information:

[Amphenol:](#)

[AG6FCE](#)