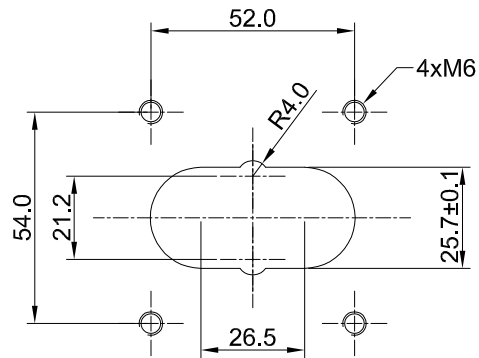
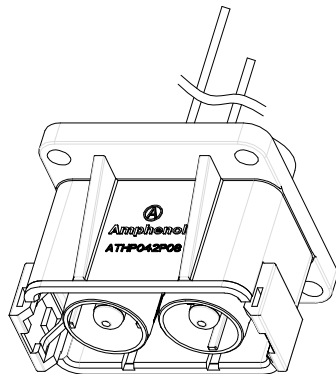
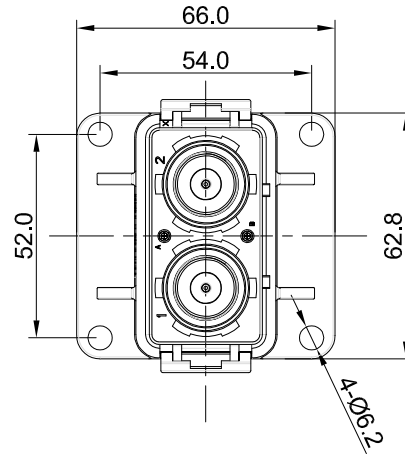
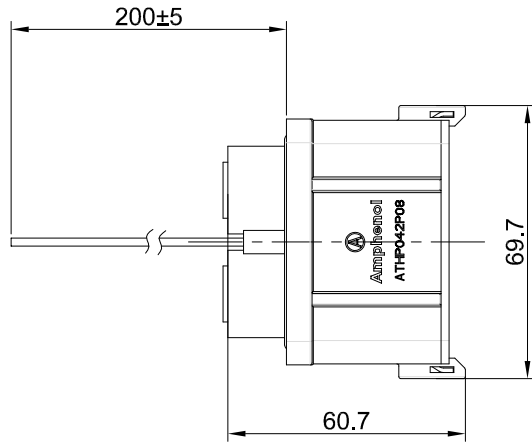


REVISIONS					
REV	ECO	DESCRIPTION	DATE	BY	APPR
A1	-	RELEASE NEW DRAWING	Aug.31,2016	Tod	Tommy
A2	-	UPDATE DRAWING	Dec.15,2016	Regan	Tommy

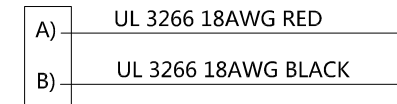


RECOMMEND PANEL CUT

NOTES: UNLESS OTHERWISE SPECIFIED

- MATERIAL:
 - HOUSING: THERMOPLASTIC UL 94V0
 - SEAL: SILICONE RUBBER
 - POWER CONTACT: COPPER ALLOY, SILVER PLATED
- SPECIFICATIONS:
 - CURRENT RATING: 50mm²@180 AMPS
 - VOLTAGE RATING: 1000 V AC/DC
 - OPERATING TEMPERATURE: -40°C TO +130°C
 - DIELECTRIC WITHSTANDING VOLTAGE: LESS THAN 2 MILLIAMPS CURRENT LEAKAGE @ 3000 VOLTS AC.
 - INSULATION RESISTANCE: 500 MEGOHMS MIN@25°C.
 - DEGREE OF PROTECTION: IP67 (MATED CONDITION)
 - MATING CYCLE DURABILITY: 100 CYCLES
 - RoHS COMPLIANT
- SIGNAL CONTACT: RT SERIES 16# PIN CONTACT
POWER CONTACT: SC000384-8
- ALL DIMENSIONS ARE FOR REFERENCE USE ONLY.

Wiring Diagram



QUANTITY	PART NUMBER	DESCRIPTION	ITEM														
MATERIALS LIST																	
UNLESS OTHERWISE SPECIFIED 1) All dimensions are in metric(mm). 2) Tolerances are as follows: 1 PL DEC ±0.30 Fractions ±1/64 2 PL DEC ±0.15 Angles ±1° 3) Note reference =		<table border="1"> <tr> <th>SIGNATURES</th> <th>DATE</th> </tr> <tr> <td>DRAWN: Regan</td> <td>Dec.15,2016</td> </tr> <tr> <td>CHECKED:</td> <td></td> </tr> <tr> <td>ENGINEER:</td> <td></td> </tr> <tr> <td>APPROVAL:</td> <td></td> </tr> </table>		SIGNATURES	DATE	DRAWN: Regan	Dec.15,2016	CHECKED:		ENGINEER:		APPROVAL:					
SIGNATURES	DATE																
DRAWN: Regan	Dec.15,2016																
CHECKED:																	
ENGINEER:																	
APPROVAL:																	
MATERIAL SPECIFICATIONS:		<p style="text-align: center;">Amphenol</p> <p style="text-align: center;">Sine Systems - www.amphenol-sine.com 44724 Morley Drive Clinton Township, MI 48036</p>															
PROCESS SPECIFICATIONS:		<p style="text-align: center;">ATHP, RECEPTACLE,2 PIN,8MM FLANG MOUNTING WITHOUT EMC SHIELDING</p>															
NEXT ASSY:		<table border="1"> <tr> <th>SIZE</th> <th>TYPE</th> <th>DWG NO:</th> <th>REVISION</th> </tr> <tr> <td>B</td> <td>C-</td> <td>ATHP042P08NL16-50</td> <td>A2</td> </tr> </table>	SIZE	TYPE	DWG NO:	REVISION	B	C-	ATHP042P08NL16-50	A2	<table border="1"> <tr> <th>SCALE</th> <th>SHEET</th> <th>OF</th> </tr> <tr> <td>NONE</td> <td>1</td> <td>1</td> </tr> </table>	SCALE	SHEET	OF	NONE	1	1
SIZE	TYPE	DWG NO:	REVISION														
B	C-	ATHP042P08NL16-50	A2														
SCALE	SHEET	OF															
NONE	1	1															

TITLE: ATHP REC 2 PIN 8MM FLANG MOUNTING WITHOUT EMC SHIELDING
DWG NO: ATHP042P08NL16-50
REV: A2
SH: 1
OF: 1

ATHP - Contact Options

Power Contacts

Machined Contacts, Pins and Sockets					
Part Number	Description	Size	AWG	Type	Amps
SC000384-8	Male Contact - Pin, Copper Alloy, Nickel-Plated	8mm	50mm ²	Machined	180A
SC000445-8	Male Contact - Flat Hole Tail Pin, Copper Alloy, Nickel	8mm		Machined	180A
SC000384-8-M1	Male Contact - Screw Tail Pin, Copper Alloy, Nickel	8mm		Machined	180A
SC000383-8	Female Contact - Socket, Copper Alloy, Nickel-Plated	8mm	50mm ²	Machined	180A

Tooling - Machined Contacts

Part	Part Number	Description
	WA23	Heavy Duty Pneumatic Crimp Tool -Uses Universal Positioner Part No. WA23-101DA and Crimp Locator MFX-3961
	WA23-8	Die Assembly, 50mm -for WA23 Heavy Duty Pneumatic Crimp Tool
	WA23-14	Contact Locator, Size 50mm
	96-978-22	Crimper and Dies -for size 10mm ² -185mm ² Wires
	QXATHP-50	Contact Extraction Tool#50mm ²

Control Contacts

Crimp Contacts, Stamped & Formed				
Part Number		AWG	Wire Range (mm ²)	Plating
Male	Female			
	SS14M2F	14	2.0-2.5	Gold Flash
	SS14M2G5	14	2.0-2.5	Gold 5μ"
	SS14M2G10	14	2.0-2.5	Gold 10μ"
	SS14M2G15	14	2.0-2.5	Gold 15μ"
	SS14M2G30	14	2.0-2.5	Gold 30μ"
SP16M2F		18-16	0.75-1.5	Gold Flash
SP16M2G5		18-16	0.75-1.5	Gold 5μ"
SP16M2G10		18-16	0.75-1.5	Gold 10μ"
SP16M2G15		18-16	0.75-1.5	Gold 15μ"
SP16M2G30		18-16	0.75-1.5	Gold 30μ"

Tooling, Stamped & Formed

Part Number	Description
QXRT16	Contact Extraction Tool, #16 (Ø 1.6) Contact
MFX-3954	Hand Tool, Stamped & Formed Contact, Size 16, 20-14AWG
MFX-3957	Crimp Die, Stamped & Formed Contact