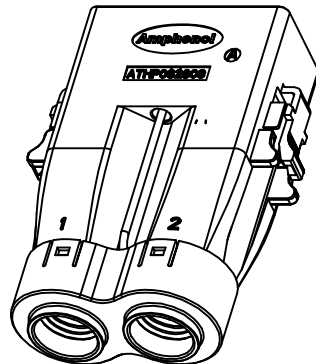
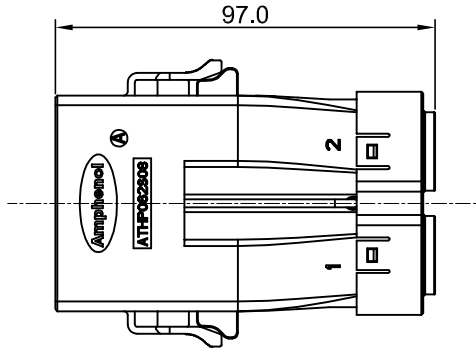
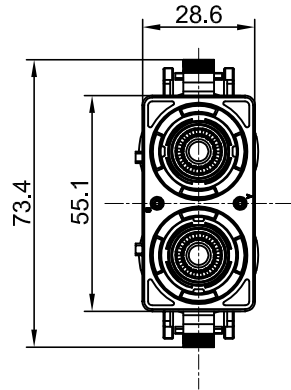


REVISIONS					
REV	ECO	DESCRIPTION	DATE	BY	APPR
A1	-	RELEASE NEW DRAWING	Aug.31,2016	Tod	Tommy
A2	-	UPDATE THE STRUCTURES	Oct.24,2016	Regan	Tommy



NO.	PART NUMBER	Cable OD Range
1	ATHP062S08EL16-50S1	15.5~16.5 mm

OTHER OD RANGE IS OPTION

NOTES: UNLESS OTHERWISE SPECIFIED

1. MATERIAL:

- 1.1 HOUSING: THERMOPLASTIC UL 94V0
- 1.2 SEAL: SILICONE RUBBER
- 1.3 POWER CONTACT: COPPER ALLOY, SILVER PLATED
- 1.4 SHIELDING: COPPER ALLOY, TIN PLATED

2. SPECIFICATIONS:

- 2.1 CURRENT RATING: 50mm<sup>2</sup>@180 AMPS
- 2.2 VOLTAGE RATING: 1000 V AC/DC
- 2.3 OPERATING TEMPERATURE: -40°C TO +130°C
- 2.4 DIELECTRIC WITHSTANDING VOLTAGE: LESS THAN 2 MILLIAMPS CURRENT LEAKAGE @ 3000 VOLTS AC.
- 2.5 INSULATION RESISTANCE: 500 MEGOHMS MIN@25°C.
- 2.6 DEGREE OF PROTECTION: IP67 (MATED CONDITION)
- 2.7 MATING CYCLE DURABILITY: 100 CYCLES
- 2.8 RoHS COMPLIANT

3. SIGNAL CONTACT: RT SERIES 14# SOCKET CONTACT  
POWER CONTACT: SC000383-8

4. ALL DIMENSIONS ARE FOR REFERENCE USE ONLY.

TITLE: ATHP PLUG 2 PIN,8MM HVIL WITH EMC SHIELDING  
DWG NO: ATHP062S08EL16-50SX  
REV: A2  
SH: 1  
OF: 1

PART NUMBER		DESCRIPTION		ITEM
QUANTITY		MATERIALS LIST		
UNLESS OTHERWISE SPECIFIED		SIGNATURES		DATE
1) All dimensions are in metric(mm).		DRAWN: Regan		Oct.24,2016
2) Tolerances are as follows:		CHECKED:		
1 PL DEC ±0.30		ENGINEER:		
2 PL DEC ±0.15		APPROVAL:		
3 PL DEC ±0.08		CUSTOMER:		
3) Note reference =		THIS DRAWING IS SUPPLIED FOR INFORMATION ONLY. DESIGN FEATURES, SPECIFICATIONS AND PERFORMANCE DATA SHOWN HEREON ARE THE PROPERTY OF THE AMPHENOL CORPORATION; NO RIGHTS OF REPRODUCTION ARE IMPLIED. ALL DIMENSIONS ARE SUBJECT TO NORMAL MANUFACTURING VARIATIONS.		
MATERIAL SPECIFICATIONS:		SINE SYSTEMS - www.amphenol-sine.com 44724 Morley Drive Clinton Township, MI 48036		
PROCESS SPECIFICATIONS:		ATHP, PLUG,2 PIN,8MM HVIL WITH EMC SHIELDING		
NEXT ASSY:		SIZE	TYPE	DWG NO: REVISION
		B	C-	ATHP062S08EL16-50SX A2
		SCALE:	NONE	SHEET 1 OF 1

# ATHP - Contact Options

## Power Contacts

Machined Contacts, Pins and Sockets					
Part Number	Description	Size	AWG	Type	Amps
SC000384-8	Male Contact - Pin, Copper Alloy, Nickel-Plated	8mm	50mm <sup>2</sup>	Machined	180A
SC000445-8	Male Contact - Flat Hole Tail Pin, Copper Alloy, Nickel	8mm		Machined	180A
SC000384-8-M1	Male Contact - Screw Tail Pin, Copper Alloy, Nickel	8mm		Machined	180A
SC000383-8	Female Contact - Socket, Copper Alloy, Nickel-Plated	8mm	50mm <sup>2</sup>	Machined	180A

## Tooling - Machined Contacts

Part	Part Number	Description
	WA23	Heavy Duty Pneumatic Crimp Tool -Uses Universal Positioner Part No. WA23-101DA and Crimp Locator MFX-3961
	WA23-8	Die Assembly, 50mm -for WA23 Heavy Duty Pneumatic Crimp Tool
	WA23-14	Contact Locator, Size 50mm
	96-978-22	Crimper and Dies -for size 10mm <sup>2</sup> -185mm <sup>2</sup> Wires
	QXATHP-50	Contact Extraction Tool#50mm <sup>2</sup>

## Control Contacts

Crimp Contacts, Stamped & Formed				
Part Number		AWG	Wire Range (mm <sup>2</sup> )	Plating
Male	Female			
	SS14M2F	14	2.0-2.5	Gold Flash
	SS14M2G5	14	2.0-2.5	Gold 5μ"
	SS14M2G10	14	2.0-2.5	Gold 10μ"
	SS14M2G15	14	2.0-2.5	Gold 15μ"
	SS14M2G30	14	2.0-2.5	Gold 30μ"
SP16M2F		18-16	0.75-1.5	Gold Flash
SP16M2G5		18-16	0.75-1.5	Gold 5μ"
SP16M2G10		18-16	0.75-1.5	Gold 10μ"
SP16M2G15		18-16	0.75-1.5	Gold 15μ"
SP16M2G30		18-16	0.75-1.5	Gold 30μ"

## Tooling, Stamped & Formed

Part Number	Description
QXRT16	Contact Extraction Tool, #16 (Ø 1.6) Contact
MFX-3954	Hand Tool, Stamped & Formed Contact, Size 16, 20-14AWG
MFX-3957	Crimp Die, Stamped & Formed Contact