
maXTouch 1066-node Touchscreen Controller Product Brief

Description

The mXT1066TD 1.0 uses a unique charge-transfer acquisition engine to implement Microchip's patented capacitive sensing method. Coupled with a state-of-the-art CPU, the entire touchscreen sensing solution can measure, classify and track a number of individual finger touches with a high degree of accuracy in the shortest response time. The mXT1066TD 1.0 allows for both mutual and self capacitance measurements, with the self capacitance measurements being used to augment the mutual capacitance measurements to produce reliable touch information.

maXTouch[®] Adaptive Sensing Touchscreen Technology

- Up to 41 X (transmit) lines and 26 Y (receive) lines for use by a touchscreen
- A maximum of 1066 nodes can be allocated to the touch sensor
- Touchscreen size of 12.4 inches (16:10 aspect ratio), assuming a sensor electrode pitch of 6.5 mm. Other sizes are possible with different electrode pitches and appropriate sensor material
- Multiple touch support with up to 16 concurrent touches tracked in real time
- Dual-boot OS support for Microsoft[®] Windows[®] and Android[™]

Touch Sensor Technology

- Discrete/out-cell support including glass and PET film-based sensors
- On-cell/touch-on display support including TFT, LCD (ITPS, IPS) and OLED
- Synchronization with display refresh timing capability
- Support for standard (for example, Diamond) and proprietary sensor patterns (review of designs by Microchip or a Microchip-qualified touch sensor module partner is recommended)

Front Panel Material

- Works with PET or glass, including curved profiles (configuration and stack-up to be approved by Microchip or a Microchip-qualified touch sensor module partner)
- 10 mm glass (or 5 mm PMMA) with bare finger (dependent on screen size, touch size, configuration and stack-up)
- 6 mm glass (or 3 mm PMMA) with multi-finger 5 mm glove (2.7 mm PMMA equivalent) (dependent on screen size, touch size, configuration and stack-up)

Touch Performance

- Moisture/Water Compensation
 - No false touch with condensation or water drop up to 22 mm diameter
 - One-finger tracking with condensation or water drop up to 22 mm diameter
- Mutual capacitance and self capacitance measurements supported for robust touch detection
- P2P mutual capacitance measurements supported for extra sensitive multi-touch sensing
- Noise suppression technology to combat ambient, charger, and power-line noise
 - Up to 240 V_{PP} between 1 Hz and 1 kHz sinusoidal waveform
 - Up to 20 V_{PP} between 1 kHz and 1 MHz sinusoidal waveform
- Stylus Support
 - Supports passive stylus with 1.5 mm contact diameter, subject to configuration, stack-up, and sensor design
- Scan Speed
 - Typical report rate for 10 touches ≥ 85 Hz (subject to configuration)
 - Initial touch latency <20 ms for first touch from idle (subject to configuration)
 - Configurable to allow for power and speed optimization
- Touch panel failure detection
 - Automatic touch sensor diagnostics during run time to support the implementation of safety critical features
 - Diagnostics reported using dedicated output pin or by standard Object Protocol messages
 - Configurable test limits

MXT1066TD 1.0

Enhanced Algorithms

- Lens bending algorithms to remove display noise
- Touch suppression algorithms to remove unintentional large touches, such as palm
- Palm Recovery Algorithm for quick restoration to normal state

Product Data Store Area

- Up to 60 bytes of user-defined data can be stored during production

Power Saving

- Programmable timeout for automatic transition from Active to Idle state
- Pipelined analog sensing detection and digital processing to optimize system power efficiency

Application Interfaces

- I²C slave with support for Standard mode (up to 100 kHz), Fast mode (up to 400 kHz), Fast-mode Plus (up to 1 MHz), High Speed mode (up to 3.4 MHz)
- HID-I²C interface for Microsoft Windows 8.x and later versions
- Interrupt to indicate when a message is available
- Additional SPI Debug Interface to read the raw data for tuning and debugging purposes

Power Supply

- Digital (V_{dd}) 3.3V nominal
- Digital I/O (V_{ddIO}) 1.8V nominal to 3.3V nominal
- Analog (AV_{dd}) 3.3V nominal
- High voltage internal X line drive (XV_{dd}) 6.6V or 9.9V with internal voltage pump

Packages

- 114-ball UFBGA 7 × 5 × 0.65 mm, 0.5 mm pitch, High Density Interconnect
- 117-ball UFBGA 9.5 × 7 × 0.65 mm, 0.65 mm pitch, non-HDI package

Operating Temperature

- -40°C to +85°C

Design Services

- Review of device configuration, stack-up and sensor patterns
- Custom firmware versions can be considered
- Contact your Microchip representative for more information

PIN CONFIGURATION

114-ball UFBGA

	1	2	3	4	5	6	7	8	9	10	11	12	13
A	○ X21	○ X22	○ XVDD	○ Y23	○ Y19	○ Y15	○ Y11	○ Y7	○ Y3	○ Y0	○ AVDD	○ X1	○ X0
B	○ X23	○ X24	○ GND	○ Y24	○ Y20	○ Y16	○ Y12	○ Y8	○ Y4	○ Y1	○ GND	○ X3	○ X2
C	○ X25	○ X26	○ GND	○ Y25	○ Y21	○ Y17	○ Y13	○ Y9	○ Y5	○ Y2	○ XVDD	○ X5	○ X4
D	○ X27	○ X28	○ X29	○ AVDD	○ Y22	○ Y18	○ Y14	○ Y10	○ Y6	○ GND	○ X8	○ X7	○ X6
E	○ X30	○ X31	○ X32	○ AVDD	○ GND				○ GND	○ VDDIO	○ X11	○ X10	○ X9
F	○ X33	○ X34	○ X35	○ VDDIO	○ NC	○ RESV	○ GPIO1	○ GPIO5	○ <u>DBG_SS</u> TEST	○ RESV	○ X14	○ X13	○ X12
G	○ X36	○ X37	○ XVDD	○ <u>RESET</u>	○ ADDSEL	○ I2CMODE	○ GPIO0	○ GPIO4 HSYNC	○ DBG_DATA	○ RESV	○ XVDD	○ X16	○ X15
H	○ X38	○ X39	○ EXTCAP0	○ EXTCAP2	○ SDA	○ RESV	○ <u>CHG</u>	○ GPIO3 VSYNC	○ DBG_CLK	○ RESV	○ RESV	○ X18	○ X17
J	○ X40	○ DS0	○ EXTCAP1	○ EXTCAP3	○ SCL	○ VDDCORE	○ VDD	○ GPIO2	○ RESV	○ RESV	○ RESV	○ X20	○ X19

Top View

mXT1066TD 1.0

117-ball UFBGA

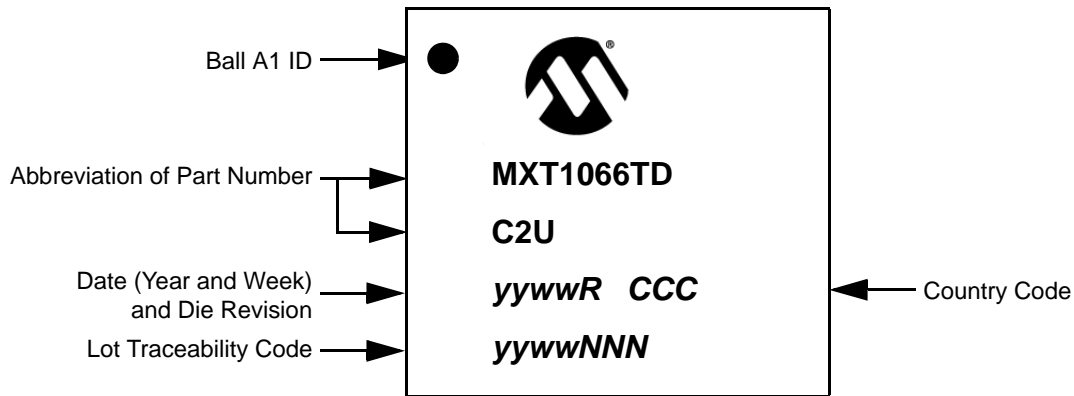
	1	2	3	4	5	6	7	8	9	10	11	12	13
A	○ X21	○ X22	○ XVDD	○ Y23	○ Y19	○ Y15	○ Y11	○ Y7	○ Y3	○ Y0	○ AVDD	○ X1	○ X0
B	○ X23	○ X24	○ GND	○ Y24	○ Y20	○ Y16	○ Y12	○ Y8	○ Y4	○ Y1	○ GND	○ X3	○ X2
C	○ X25	○ X26	○ GND	○ Y25	○ Y21	○ Y17	○ Y13	○ Y9	○ Y5	○ Y2	○ XVDD	○ X5	○ X4
D	○ X27	○ X28	○ X29	○ AVDD	○ Y22	○ Y18	○ Y14	○ Y10	○ Y6	○ GND	○ X8	○ X7	○ X6
E	○ X30	○ X31	○ X32	○ AVDD	○ GND	○ VDDCORE	○ VDD	○ GND	○ VDDIO	○ XVDD	○ X11	○ X10	○ X9
F	○ X33	○ X34	○ X35	○ VDDIO	○ NC	○ CHG	○ GPIO3 VSYNC	○ DBG_DAT A	○ DBG_SS TEST	○ RESV	○ X14	○ X13	○ X12
G	○ X36	○ X37	○ XVDD	○ RESET	○ ADDSEL	○ RESV	○ GPIO2	○ DBG_CLK	○ RESV	○ RESV	○ RESV	○ X16	○ X15
H	○ X38	○ X39	○ EXTCAP0	○ EXTCAP2	○ SDA	○ I2CMODE	○ GPIO1	○ GPIO5	○ RESV	○ RESV	○ RESV	○ X18	○ X17
J	○ X40	○ DS0	○ EXTCAP1	○ EXTCAP3	○ SCL	○ RESV	○ GPIO0	○ GPIO4 HSYNC	○ RESV	○ RESV	○ RESV	○ X20	○ X19

Top View

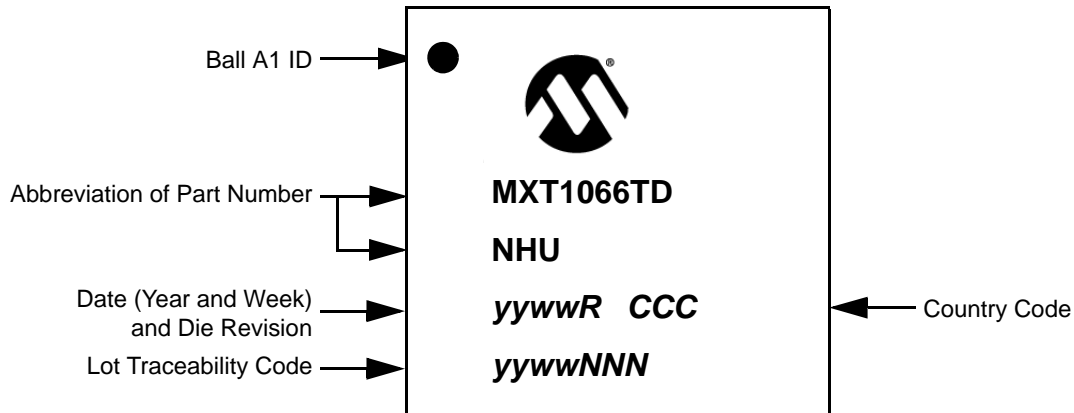
1.0 PACKAGING INFORMATION

1.1 Package Marking Information

1.1.1 114-BALL UFBGA



1.1.2 117-BALL UFBGA



1.1.3 ORDERABLE PART NUMBERS

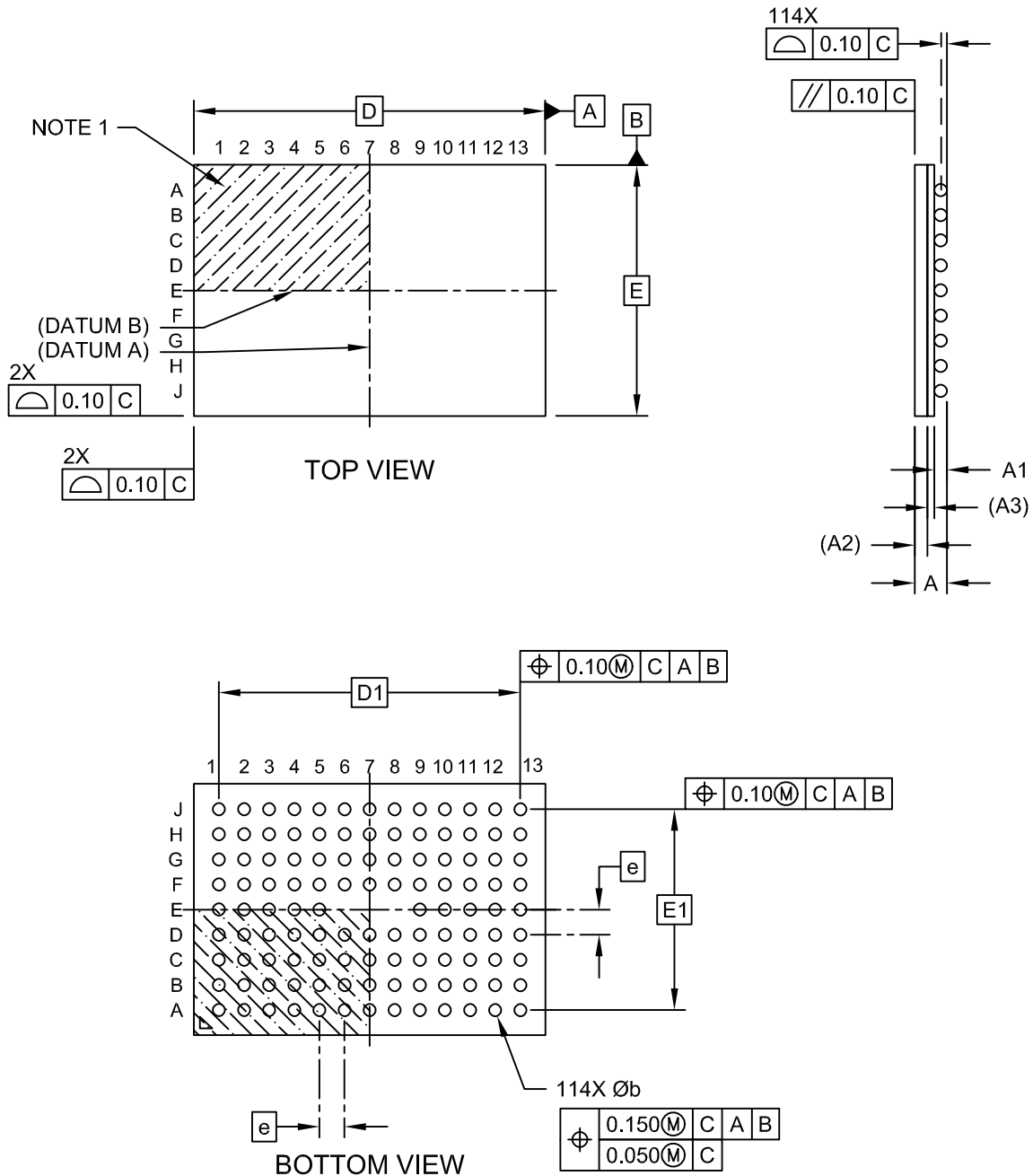
The product identification system for maXTouch devices is described in [“Product Identification System”](#). That section also lists example part numbers for the device.

mXT1066TD 1.0

1.2 Package Details

114-Ball Ultra Thin Fine-Pitch Ball Grid Array Package (C2B) - 7x5x0.65 mm Body With 13x9 Array, 0.5 mm Pitch [UFBGA]; Atmel Legacy GPC CBJ

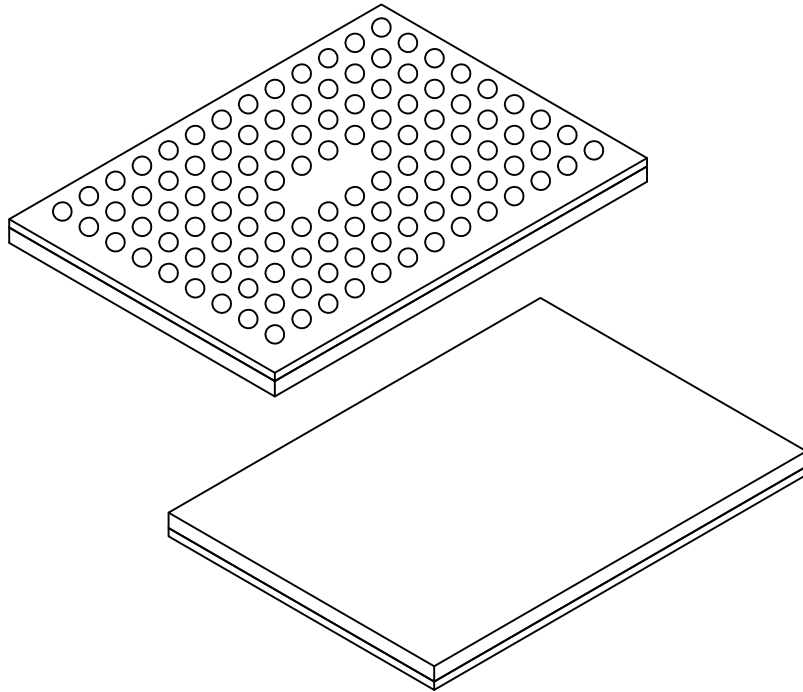
Note: For the most current package drawings, please see the Microchip Packaging Specification located at <http://www.microchip.com/packaging>



Microchip Technology Drawing C04-21163 Rev A Sheet 1 of 2

114-Ball Ultra Thin Fine-Pitch Ball Grid Array Package (C2B) - 7x5x0.65 mm Body With 13x9 Array, 0.5 mm Pitch [UFBGA]; Atmel Legacy GPC CBJ

Note: For the most current package drawings, please see the Microchip Packaging Specification located at <http://www.microchip.com/packaging>



		Units	MILLIMETERS		
Dimension Limits			MIN	NOM	MAX
Number of Terminals	N		114		
Pitch	e		0.50 BSC		
Overall Height	A	-	-	-	0.65
Ball Height	A1	0.140	-	-	0.240
Mold Thickness	A2		0.250 REF		
Substrate Thickness	A3		0.136 REF		
Overall Length	D		7.00 BSC		
Ball Array Length	D1		6.00 BSC		
Overall Width	E		5.00 BSC		
Ball Array Width	E1		4.00 BSC		
Ball Width	b	0.200	-	-	0.300
Ball Diameter			0.250 REF		

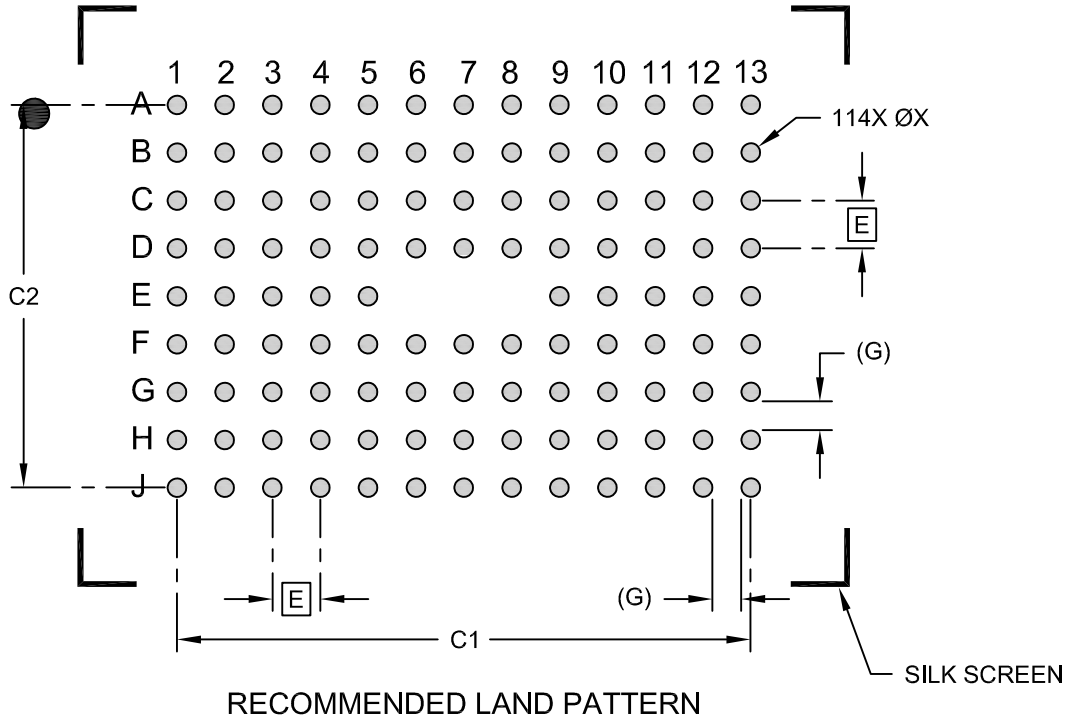
Notes:

1. Pin 1 visual index feature may vary, but must be located within the hatched area.
2. Package is saw singulated
3. Dimensioning and tolerancing per ASME Y14.5M
 - BSC: Basic Dimension. Theoretically exact value shown without tolerances.
 - REF: Reference Dimension, usually without tolerance, for information purposes only.

mXT1066TD 1.0

114-Ball Ultra Thin Fine-Pitch Ball Grid Array Package (C2B) - 7x5x0.65 mm Body With 13x9 Array, 0.5 mm Pitch [UFBGA]; Atmel Legacy GPC CBJ

Note: For the most current package drawings, please see the Microchip Packaging Specification located at <http://www.microchip.com/packaging>



Dimension Limits	Units	MILLIMETERS		
		MIN	NOM	MAX
Contact Pitch	E	0.50 BSC		
Optional Pad Diameter (X114)	X			0.20
Contact Pad Spacing	C1		6.00	
Contact Pad Spacing	C2		4.00	
Column and Row Spacing	G	0.30 REF		

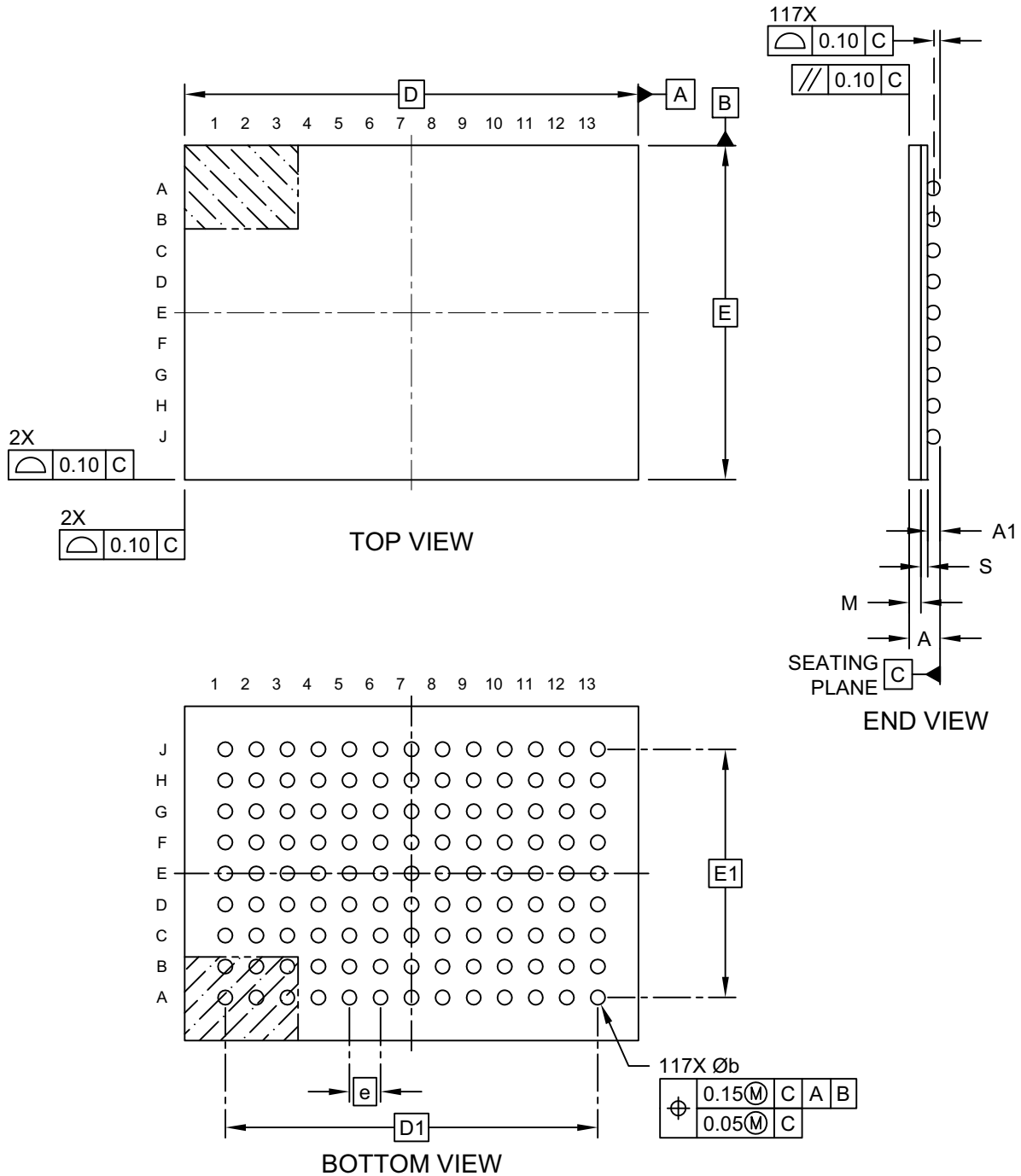
Notes:

1. Dimensioning and tolerancing per ASME Y14.5M
BSC: Basic Dimension. Theoretically exact value shown without tolerances.
2. For best soldering results, thermal vias, if used, should be filled or tented to avoid solder loss during reflow process

Microchip Technology Drawing C04-23163 Rev A

117-Ball Ultra Thin Fine-Pitch Ball Grid Array Package (C5B) - 9.5x7.0x0.65 mm Body [UFBGA]

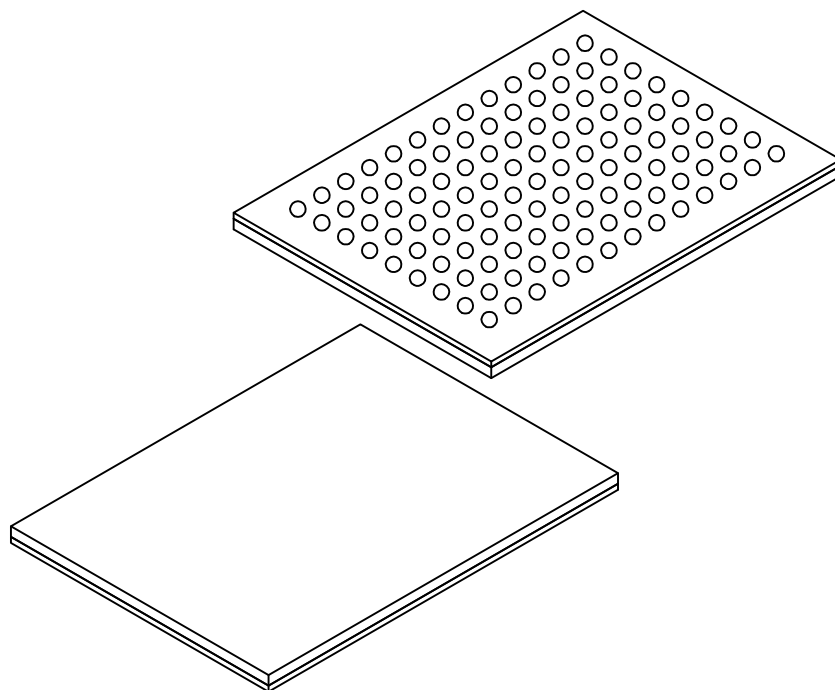
Note: For the most current package drawings, please see the Microchip Packaging Specification located at <http://www.microchip.com/packaging>



mXT1066TD 1.0

117-Ball Ultra Thin Fine-Pitch Ball Grid Array Package (C5B) - 9.5x7.0x0.65 mm Body [UFBGA]

Note: For the most current package drawings, please see the Microchip Packaging Specification located at <http://www.microchip.com/packaging>



		Units	MILLIMETERS		
Dimension Limits			MIN	NOM	MAX
Number of Terminals	N		117		
Pitch	e		0.65 BSC		
Overall Height	A	–	–		0.65
Ball Height	A1	0.16	0.21		0.26
Mold Thickness	M		0.25 REF		
Substrate Thickness	S		0.136 REF		
Overall Length	D		9.50 BSC		
Ball Array Length	D1		7.80 BSC		
Overall Width	E		7.00 BSC		
Ball Array Width	E1		5.20 BSC		
Ball Diameter	b	0.25	0.30		0.35

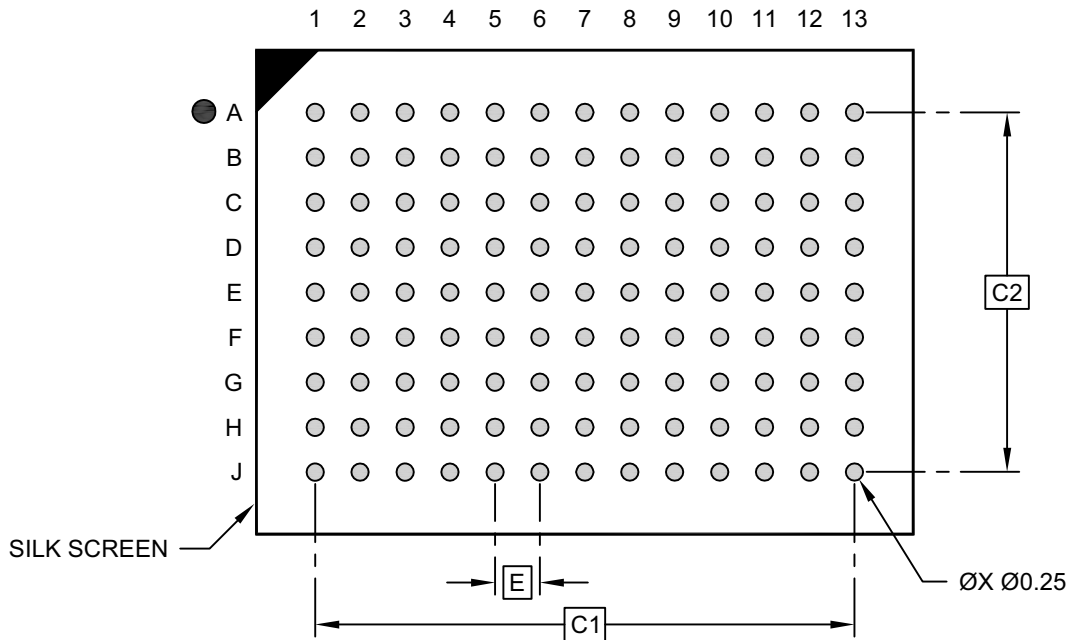
Notes:

1. Ball A1 visual index feature may vary, but must be located within the hatched area.
2. Dimensioning and tolerancing per ASME Y14.5M
BSC: Basic Dimension. Theoretically exact value shown without tolerances.
REF: Reference Dimension, usually without tolerance, for information purposes only.

Microchip Technology Drawing C04-21166 Rev A Sheet 2 of 2

117-Ball Ultra Thin Fine-Pitch Ball Grid Array Package (C5B) - 9.5x7.0x0.65 mm Body [UFBGA]

Note: For the most current package drawings, please see the Microchip Packaging Specification located at <http://www.microchip.com/packaging>



RECOMMENDED LAND PATTERN

		Units	MILLIMETERS		
		Dimension Limits	MIN	NOM	MAX
Contact Pitch	E		0.65 BSC		
Contact Pad Spacing	C1		7.80 BSC		
Contact Pad Spacing	C2		5.20 BSC		
Contact Pad Width (Xnn)	X				0.25

Notes:

1. Dimensioning and tolerancing per ASME Y14.5M
BSC: Basic Dimension. Theoretically exact value shown without tolerances.

Microchip Technology Drawing C04-23166 Rev A

APPENDIX A: REVISION HISTORY

Revision A (June 2020)

Initial edition for firmware revision 1.0.AA – Release

PRODUCT IDENTIFICATION SYSTEM

The table below gives details on the product identification system for maXTouch devices. See [“Orderable Part Numbers”](#) below for example part numbers for the mXT1066TD.

To order or obtain information, for example on pricing or delivery, refer to the factory or the listed sales office.

PART NO.	-XXX	[X]	[X]	[XXX]
Device	Package	Temperature Range	Tape and Reel Option	Pattern
Device:	Base device name			
Package:	A	=	QFP (Plastic Quad Flatpack)	
	CC	=	UFBGA (Ultra Thin Fine-pitch Ball Grid Array)	
	C2	=	UFBGA (Ultra Thin Fine-pitch Ball Grid Array)	
	NH	=	UFBGA (Ultra Thin Fine-pitch Ball Grid Array)	
	C4	=	X1FBGA (Extra Thin Fine-pitch Ball Grid Array)	
	MA	=	XQFN (Super Thin Quad Flat No Lead Sawn)	
	MA5	=	XQFN (Super Thin Quad Flat No Lead Sawn)	
Temperature Range:	U	=	-40°C to +85°C (Grade 3)	
	T	=	-40°C to +85°C (Grade 3)	
	B	=	-40°C to +105°C (Grade 2)	
Tape and Reel Option:	<i>Blank</i>	=	Standard Packaging (Tube or Tray)	
	R	=	Tape and Reel ⁽¹⁾	
Pattern:	Extension, QTP, SQTP, Code or Special Requirements (Blank Otherwise)			

Note 1: Tape and Reel identifier only appears in the catalog part number description. This identifier is used for ordering purposes and is not printed on the device package. See [“Orderable Part Numbers”](#) below or check with your Microchip Sales Office for package availability with the Tape and Reel option.

Orderable Part Numbers

Orderable Part Number	Firmware Revision	Description
ATMXT1066TD-C2U001 (Supplied in trays)	1.0.AA	114-ball UFBGA 7 × 5 × 0.65 mm, RoHS compliant Industrial grade; not suitable for automotive characterization
ATMXT1066TD-C2UR001 (Supplied in tape and reel)		
ATMXT1066TD-NHU001 (Supplied in trays)	1.0.AA	117-ball UFBGA 9.5 × 7 × 0.65 mm, RoHS compliant Industrial grade; not suitable for automotive characterization
ATMXT1066TD-NHUR001 (Supplied in tape and reel)		

mXT1066TD 1.0

NOTES:

Note the following details of the code protection feature on Microchip devices:

- Microchip products meet the specification contained in their particular Microchip Data Sheet.
- Microchip believes that its family of products is one of the most secure families of its kind on the market today, when used in the intended manner and under normal conditions.
- There are dishonest and possibly illegal methods used to breach the code protection feature. All of these methods, to our knowledge, require using the Microchip products in a manner outside the operating specifications contained in Microchip's Data Sheets. Most likely, the person doing so is engaged in theft of intellectual property.
- Microchip is willing to work with the customer who is concerned about the integrity of their code.
- Neither Microchip nor any other semiconductor manufacturer can guarantee the security of their code. Code protection does not mean that we are guaranteeing the product as “unbreakable.”

Code protection is constantly evolving. We at Microchip are committed to continuously improving the code protection features of our products. Attempts to break Microchip's code protection feature may be a violation of the Digital Millennium Copyright Act. If such acts allow unauthorized access to your software or other copyrighted work, you may have a right to sue for relief under that Act.

Information contained in this publication regarding device applications and the like is provided only for your convenience and may be superseded by updates. It is your responsibility to ensure that your application meets with your specifications. MICROCHIP MAKES NO REPRESENTATIONS OR WARRANTIES OF ANY KIND WHETHER EXPRESS OR IMPLIED, WRITTEN OR ORAL, STATUTORY OR OTHERWISE, RELATED TO THE INFORMATION, INCLUDING BUT NOT LIMITED TO ITS CONDITION, QUALITY, PERFORMANCE, MERCHANTABILITY OR FITNESS FOR PURPOSE. Microchip disclaims all liability arising from this information and its use. Use of Microchip devices in life support and/or safety applications is entirely at the buyer's risk, and the buyer agrees to defend, indemnify and hold harmless Microchip from any and all damages, claims, suits, or expenses resulting from such use. No licenses are conveyed, implicitly or otherwise, under any Microchip intellectual property rights unless otherwise stated.

Trademarks

The Microchip name and logo, the Microchip logo, Adaptec, AnyRate, AVR, AVR logo, AVR Freaks, BesTime, BitCloud, chipKIT, chipKIT logo, CryptoMemory, CryptoRF, dsPIC, FlashFlex, flexPWR, HELDO, IGLOO, JukeBlox, KeeLoq, Klear, LANCheck, LinkMD, maXStylus, maXTouch, MediaLB, megaAVR, Microsemi, Microsemi logo, MOST, MOST logo, MPLAB, OptoLyzer, PackeTime, PIC, picoPower, PICSTART, PIC32 logo, PolarFire, Prochip Designer, QTouch, SAM-BA, SenGenuity, SpyNIC, SST, SST Logo, SuperFlash, Symmetricom, SyncServer, Tachyon, TempTrackr, TimeSource, tinyAVR, UNI/O, Vectron, and XMEGA are registered trademarks of Microchip Technology Incorporated in the U.S.A. and other countries.

APT, ClockWorks, The Embedded Control Solutions Company, EtherSynch, FlashTec, Hyper Speed Control, HyperLight Load, IntelliMOS, Libero, motorBench, mTouch, Powermite 3, Precision Edge, ProASIC, ProASIC Plus, ProASIC Plus logo, Quiet-Wire, SmartFusion, SyncWorld, Temux, TimeCesium, TimeHub, TimePictra, TimeProvider, Vite, WinPath, and ZL are registered trademarks of Microchip Technology Incorporated in the U.S.A.

Adjacent Key Suppression, AKS, Analog-for-the-Digital Age, Any Capacitor, AnyIn, AnyOut, BlueSky, BodyCom, CodeGuard, CryptoAuthentication, CryptoAutomotive, CryptoCompanion, CryptoController, dsPICDEM, dsPICDEM.net, Dynamic Average Matching, DAM, ECAN, EtherGREEN, In-Circuit Serial Programming, ICSP, INICnet, Inter-Chip Connectivity, JitterBlocker, KlearNet, KlearNet logo, memBrain, Mindi, MiWi, MPASM, MPF, MPLAB Certified logo, MPLIB, MPLINK, MultiTRAK, NetDetach, Omniscient Code Generation, PICDEM, PICDEM.net, PICkit, PICTail, PowerSmart, PureSilicon, QMatrix, REAL ICE, Ripple Blocker, SAM-ICE, Serial Quad I/O, SMART-I.S., SQI, SuperSwitcher, SuperSwitcher II, Total Endurance, TSHARC, USBCheck, VariSense, ViewSpan, WiperLock, Wireless DNA, and ZENA are trademarks of Microchip Technology Incorporated in the U.S.A. and other countries.

SQTP is a service mark of Microchip Technology Incorporated in the U.S.A.

The Adaptec logo, Frequency on Demand, Silicon Storage Technology, and Symmcom are registered trademarks of Microchip Technology Inc. in other countries.

GestIC is a registered trademark of Microchip Technology Germany II GmbH & Co. KG, a subsidiary of Microchip Technology Inc., in other countries.

All other trademarks mentioned herein are property of their respective companies.

© 2020, Microchip Technology Incorporated, All Rights Reserved.

ISBN: 978-1-5224-6190-6

For information regarding Microchip's Quality Management Systems, please visit www.microchip.com/quality.

Worldwide Sales and Service

AMERICAS

Corporate Office
2355 West Chandler Blvd.
Chandler, AZ 85224-6199
Tel: 480-792-7200
Fax: 480-792-7277
Technical Support:
[http://www.microchip.com/
support](http://www.microchip.com/support)
Web Address:
www.microchip.com

Atlanta
Duluth, GA
Tel: 678-957-9614
Fax: 678-957-1455

Austin, TX
Tel: 512-257-3370

Boston
Westborough, MA
Tel: 774-760-0087
Fax: 774-760-0088

Chicago
Itasca, IL
Tel: 630-285-0071
Fax: 630-285-0075

Dallas
Addison, TX
Tel: 972-818-7423
Fax: 972-818-2924

Detroit
Novi, MI
Tel: 248-848-4000

Houston, TX
Tel: 281-894-5983

Indianapolis
Noblesville, IN
Tel: 317-773-8323
Fax: 317-773-5453
Tel: 317-536-2380

Los Angeles
Mission Viejo, CA
Tel: 949-462-9523
Fax: 949-462-9608
Tel: 951-273-7800

Raleigh, NC
Tel: 919-844-7510

New York, NY
Tel: 631-435-6000

San Jose, CA
Tel: 408-735-9110
Tel: 408-436-4270

Canada - Toronto
Tel: 905-695-1980
Fax: 905-695-2078

ASIA/PACIFIC

Australia - Sydney
Tel: 61-2-9868-6733

China - Beijing
Tel: 86-10-8569-7000

China - Chengdu
Tel: 86-28-8665-5511

China - Chongqing
Tel: 86-23-8980-9588

China - Dongguan
Tel: 86-769-8702-9880

China - Guangzhou
Tel: 86-20-8755-8029

China - Hangzhou
Tel: 86-571-8792-8115

China - Hong Kong SAR
Tel: 852-2943-5100

China - Nanjing
Tel: 86-25-8473-2460

China - Qingdao
Tel: 86-532-8502-7355

China - Shanghai
Tel: 86-21-3326-8000

China - Shenyang
Tel: 86-24-2334-2829

China - Shenzhen
Tel: 86-755-8864-2200

China - Suzhou
Tel: 86-186-6233-1526

China - Wuhan
Tel: 86-27-5980-5300

China - Xian
Tel: 86-29-8833-7252

China - Xiamen
Tel: 86-592-2388138

China - Zhuhai
Tel: 86-756-3210040

ASIA/PACIFIC

India - Bangalore
Tel: 91-80-3090-4444

India - New Delhi
Tel: 91-11-4160-8631

India - Pune
Tel: 91-20-4121-0141

Japan - Osaka
Tel: 81-6-6152-7160

Japan - Tokyo
Tel: 81-3-6880-3770

Korea - Daegu
Tel: 82-53-744-4301

Korea - Seoul
Tel: 82-2-554-7200

Malaysia - Kuala Lumpur
Tel: 60-3-7651-7906

Malaysia - Penang
Tel: 60-4-227-8870

Philippines - Manila
Tel: 63-2-634-9065

Singapore
Tel: 65-6334-8870

Taiwan - Hsin Chu
Tel: 886-3-577-8366

Taiwan - Kaohsiung
Tel: 886-7-213-7830

Taiwan - Taipei
Tel: 886-2-2508-8600

Thailand - Bangkok
Tel: 66-2-694-1351

Vietnam - Ho Chi Minh
Tel: 84-28-5448-2100

EUROPE

Austria - Wels
Tel: 43-7242-2244-39
Fax: 43-7242-2244-393

Denmark - Copenhagen
Tel: 45-4485-5910
Fax: 45-4485-2829

Finland - Espoo
Tel: 358-9-4520-820

France - Paris
Tel: 33-1-69-53-63-20
Fax: 33-1-69-30-90-79

Germany - Garching
Tel: 49-8931-9700

Germany - Haan
Tel: 49-2129-3766400

Germany - Heilbronn
Tel: 49-7131-72400

Germany - Karlsruhe
Tel: 49-721-625370

Germany - Munich
Tel: 49-89-627-144-0
Fax: 49-89-627-144-44

Germany - Rosenheim
Tel: 49-8031-354-560

Israel - Ra'anana
Tel: 972-9-744-7705

Italy - Milan
Tel: 39-0331-742611
Fax: 39-0331-466781

Italy - Padova
Tel: 39-049-7625286

Netherlands - Drunen
Tel: 31-416-690399
Fax: 31-416-690340

Norway - Trondheim
Tel: 47-7288-4388

Poland - Warsaw
Tel: 48-22-3325737

Romania - Bucharest
Tel: 40-21-407-87-50

Spain - Madrid
Tel: 34-91-708-08-90
Fax: 34-91-708-08-91

Sweden - Gothenberg
Tel: 46-31-704-60-40

Sweden - Stockholm
Tel: 46-8-5090-4654

UK - Wokingham
Tel: 44-118-921-5800
Fax: 44-118-921-5820