

MODEL: CUSP-T80-18-2400-TH | **DESCRIPTION:** ULTRASONIC SENSOR**FEATURES**

- plastic can
- open type
- transmitter
- SPL 115 dB
- detectable range 18 meters

**SPECIFICATIONS**

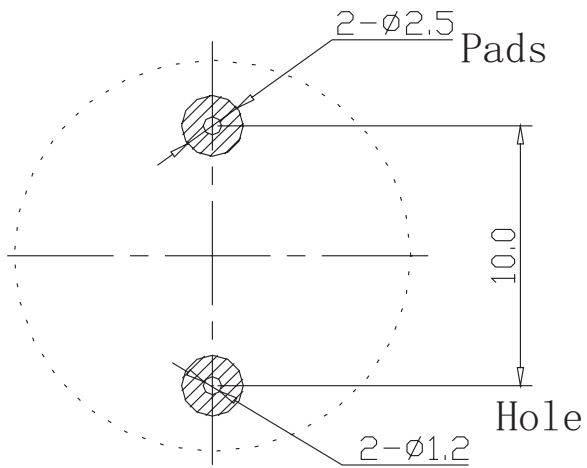
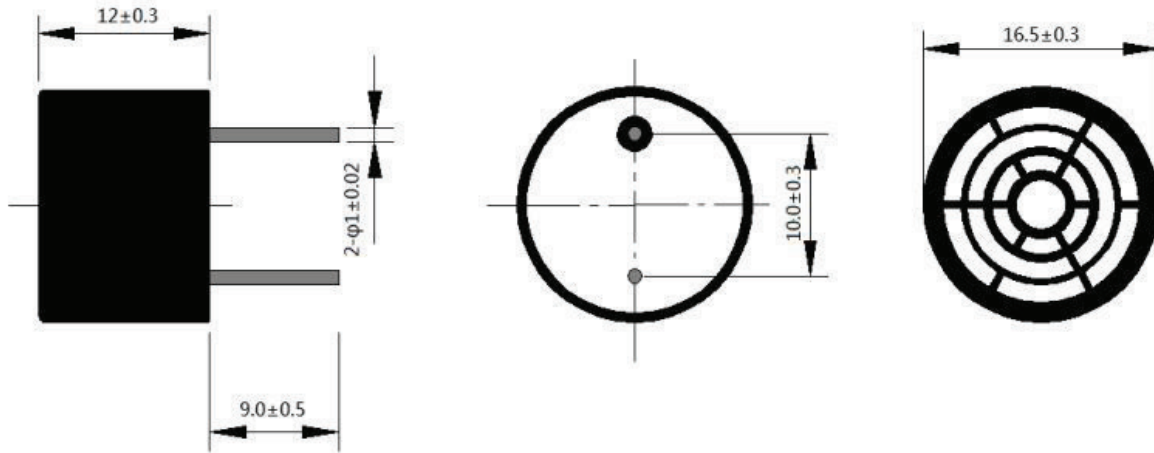
parameter	conditions/description	min	typ	max	units
type	transmitter				
operating voltage	at 40 kHz			150	Vp-p
frequency			40		kHz
sound pressure level	at 10 V, 30 cm, sine wave	115			dB
directivity			80		degree
capacitance	at 1 kHz	1,920	2,400	2,880	pF
detectable range		0.2		18	m
dimensions	Ø16.5 x 12.0				mm
material	ABS				
terminal	pins (iron with tin plating)				
weight			2.0		g
operating temperature		-20		70	°C
RoHS	yes				

SOLDERABILITY

parameter	conditions/description	min	typ	max	units
hand soldering	for 3 ± 0.5 seconds	370	380	390	°C

MECHANICAL DRAWING

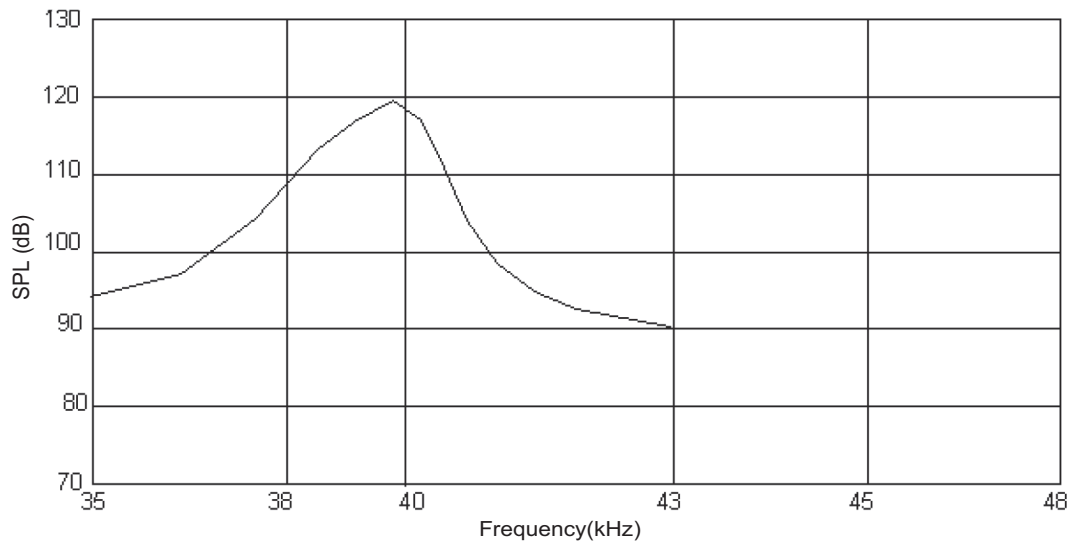
units: mm



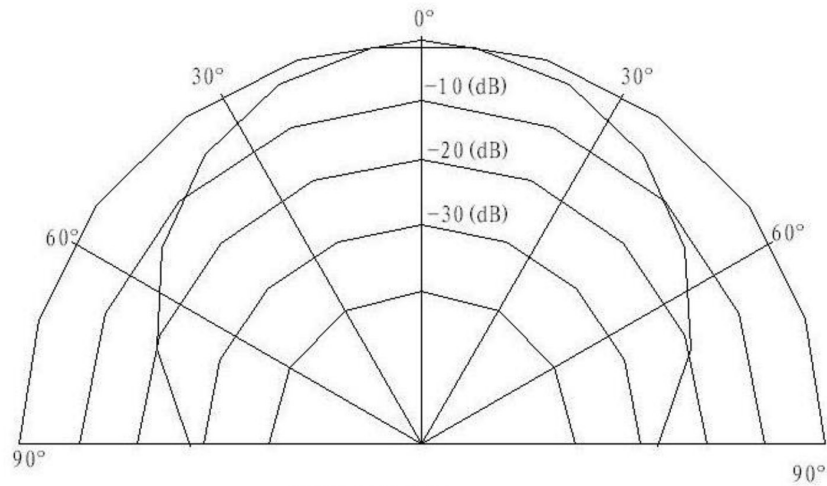
Recommended PCB Layout
Top View

BEAM PATTERNS

SPL vs. Frequency



Directivity



PACKAGING

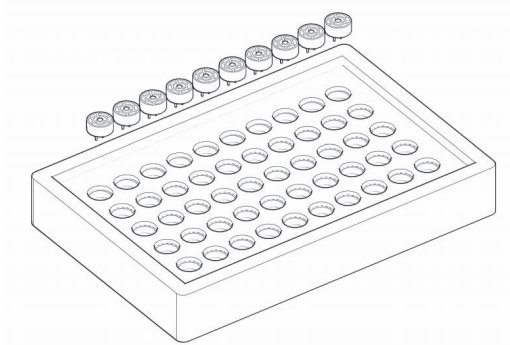
units: mm

Tray Size: 240 x 160 x 30 mm

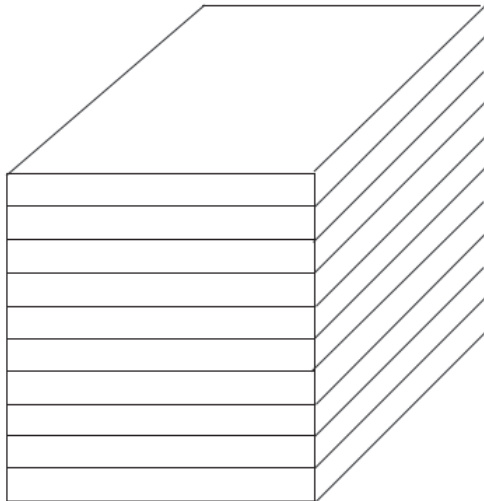
Tray QTY: 50 pcs per tray

Carton Size: 480 x 280 x 320 mm

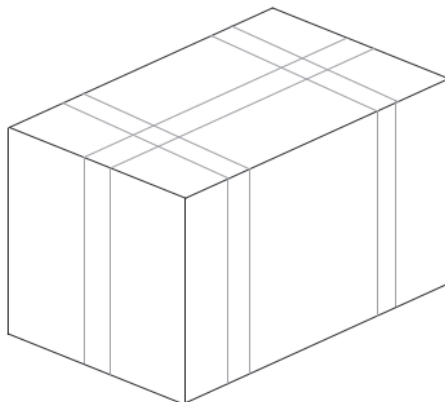
Carton QTY: 2,000 pcs per carton



50PCS/BOX
BOX SIZE:24*16*3CM



10BOXES/STACK, TOTAL 500PCS
STACK SIZE:24*16*24CM



2000PCS/CARTON
CARTON SIZE:48*28*32CM

REVISION HISTORY

rev.	description	date
1.0	initial release	12/02/2020

The revision history provided is for informational purposes only and is believed to be accurate.

CUI DEVICES

CUI Devices offers a one (1) year limited warranty. Complete warranty information is listed on our website.

CUI Devices reserves the right to make changes to the product at any time without notice. Information provided by CUI Devices is believed to be accurate and reliable. However, no responsibility is assumed by CUI Devices for its use, nor for any infringements of patents or other rights of third parties which may result from its use.

CUI Devices products are not authorized or warranted for use as critical components in equipment that requires an extremely high level of reliability. A critical component is any component of a life support device or system whose failure to perform can be reasonably expected to cause the failure of the life support device or system, or to affect its safety or effectiveness.