

Sealed Subminiature Snap Switch



Single Pole DC Series

Features

- Enclosed switch complying with IP6K7
- Models available for operating temperature up to 120 °C
- Various contact materials available
- RoHS compliant
- Silicon-free version available
- Various aux actuators (can be retrofitted)
- Two mounting positions
- Mechanical life minimum 1,000,000 operations
- Rated for currents up to 10.1 A at 250 VAC

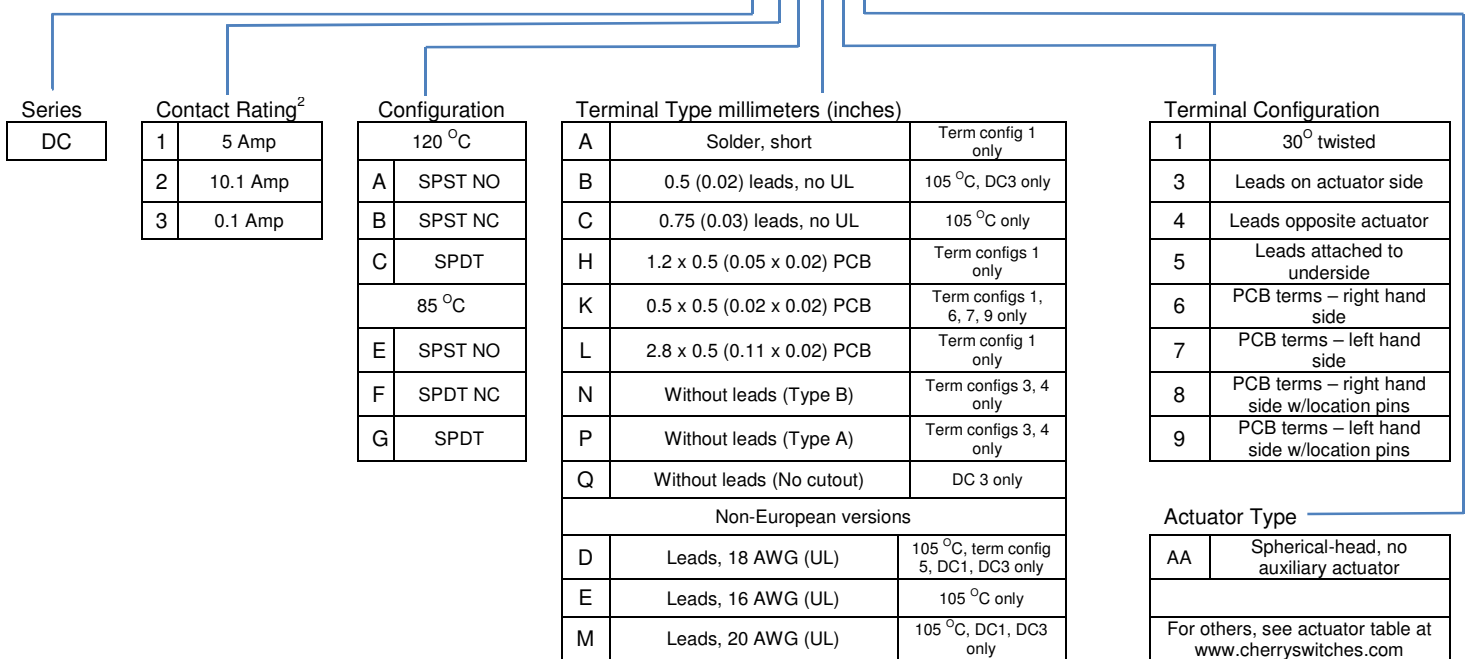
Standard Parts¹

DC1C-A1AA	DC2C-A1AA	DC3C-A1AA
DC1C-A1LB	DC2C-A1LB	DC3C-A1LB
DC1C-A1RB	DC2C-A1RB	DC3C-A1RB

¹The part number configuration matrix below provides details to the part numbers above.
For configurable part numbers that are not listed above, not listed in your region, or for custom part numbers, contact the factory or your distributor.

Part Number Breakdown

DC1C-A1AA

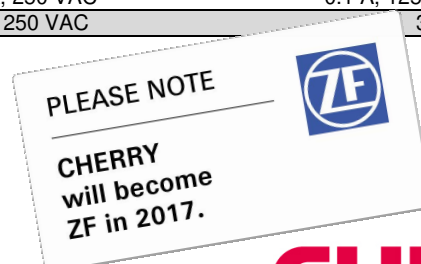


²UL current rating; see table below for complete details

Electrical Specifications – Contact Ratings

Contact	EN61058	UL1054
1	6 A, 250 VAC	5 A, 125/250 VAC; 1 A, 48 VDC
2	10 (1.5) A, 250 VAC	10.1 A, 125/250 VAC; ¼ HP, 125 VAC
3	0.1 A, 250 VAC	0.1 A, 125/250 VAC; 0.1 A, 30 VDC; 0.3 A, 60 VDC
4	3 A, 250 VAC	3 A, 125/250 VAC; 1 A, 48 VDC

UL file number E314201



www.cherryswitches.com



Mechanical Specifications

Contact Gap	< 3 mm (μ)
Operating Force	50– 340 cN (model dependent, without actuator)
Total Travel (without actuator)	1.6 mm

Operating life

Contact	Operation Cycles		Mechanical Life
	EN61058	UL1054	
1	10,000	6,000 (15,000 @ 48 VDC)	15,000,000
2	10,000	6,000	10,000,000
3	50,000	100,000 (6,000 @ 60 VDC)	15,000,000
4	50,000	6,000 (15,000 @ 48 VDC)	15,000,000

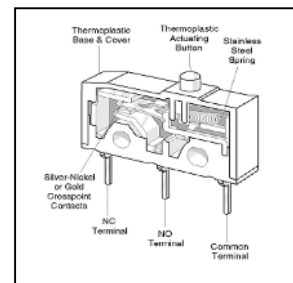
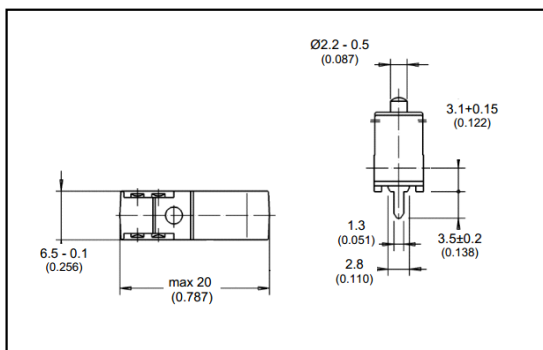
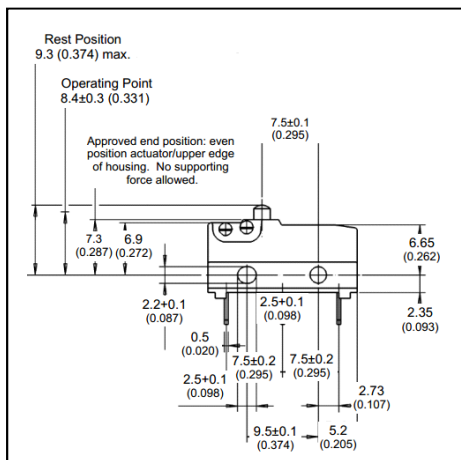
Material Specifications

Base	PET (UL 94 V-0)
Cover	PBT (UL 94 V-0); PET (UL 94 V-0)
Actuator	PBT (UL 94 V-0) 120 °C, POM (UL 94 HB) 85 °C
Contacts	AgSnO ₂ , AgNi, AuAgPt (Crosspoint)
Terminals	CuZn (silver-plated)
Auxiliary Actuator	Stainless Steel or plastic
Switching parameters	Complete chart available at www.cherryswitches.com

Environmental Specifications

Ambient Temperature	-40 °C to 85 / 120 °C (-40 °F to 185 / 248 °F) without wire leads -40 °C to 85 / 105 °C (-40 °F to 185 / 221 °F) without wire leads
Ingress Protection	IP67

Dimensions mm (inches)



Terminal Options

