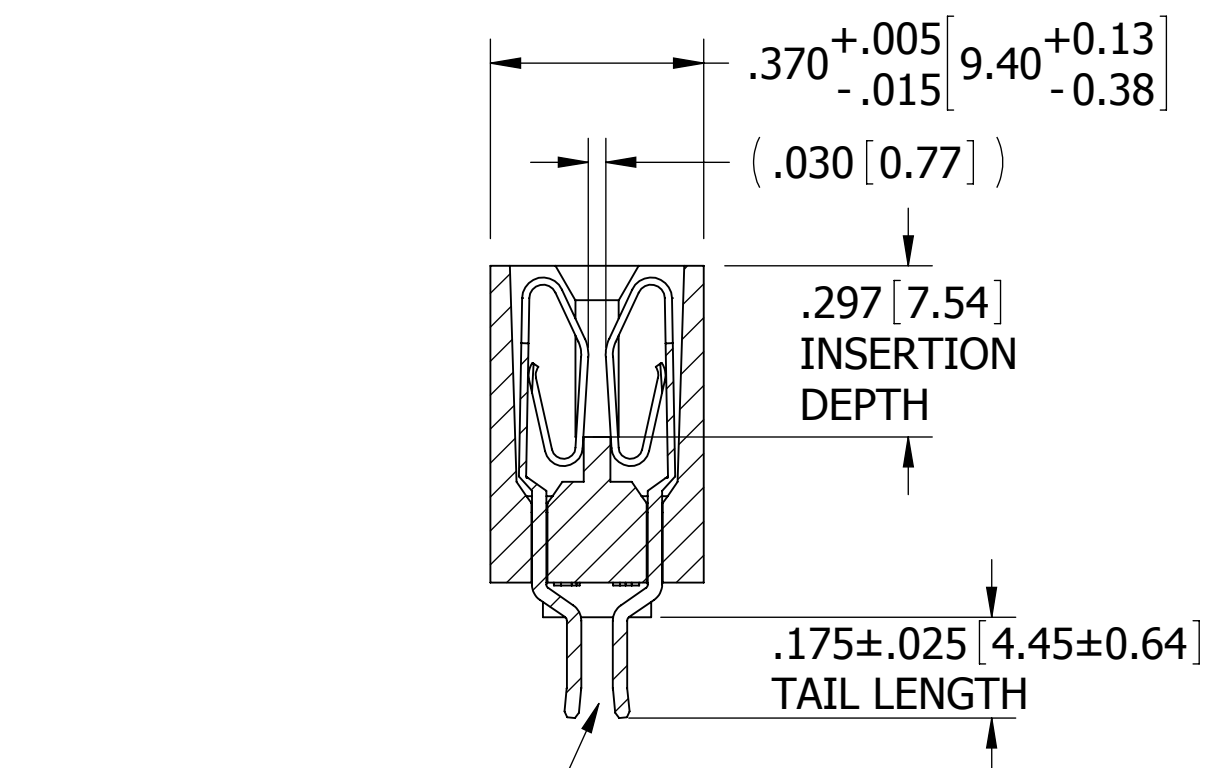
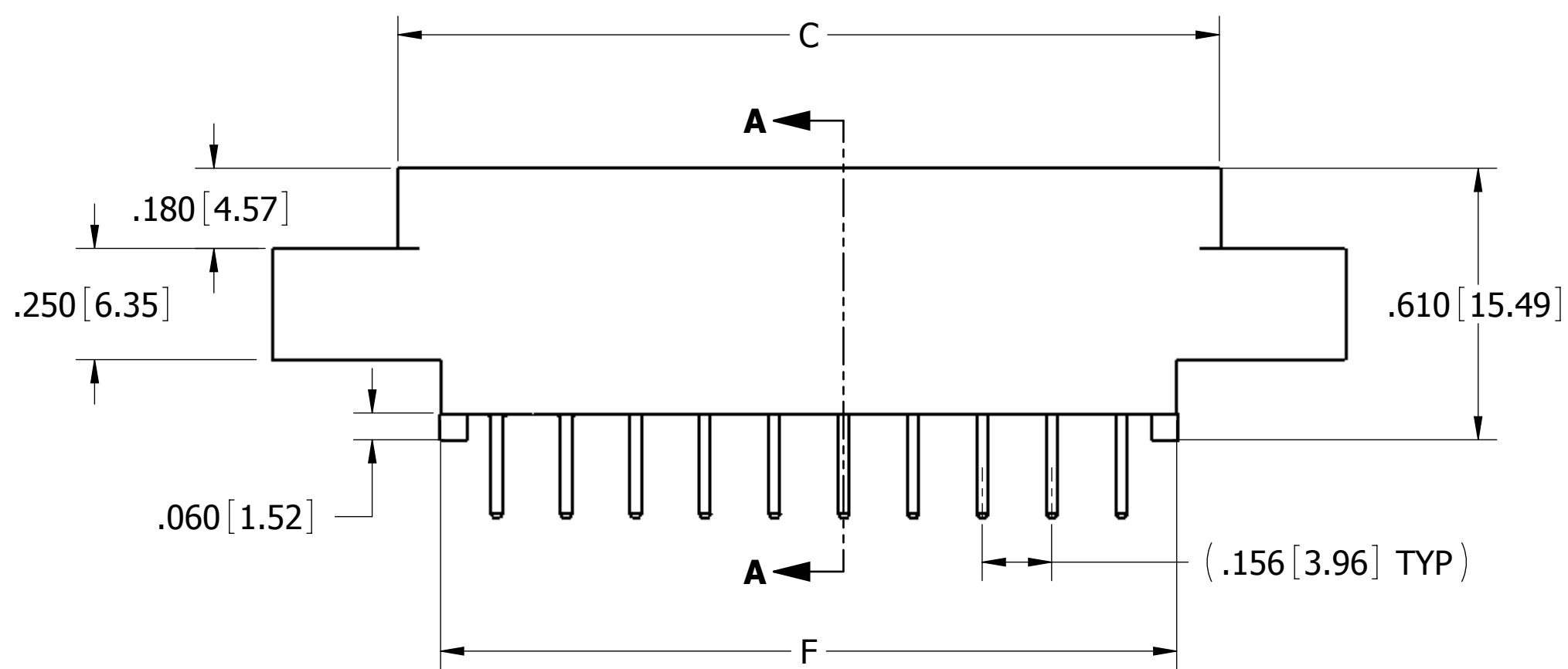
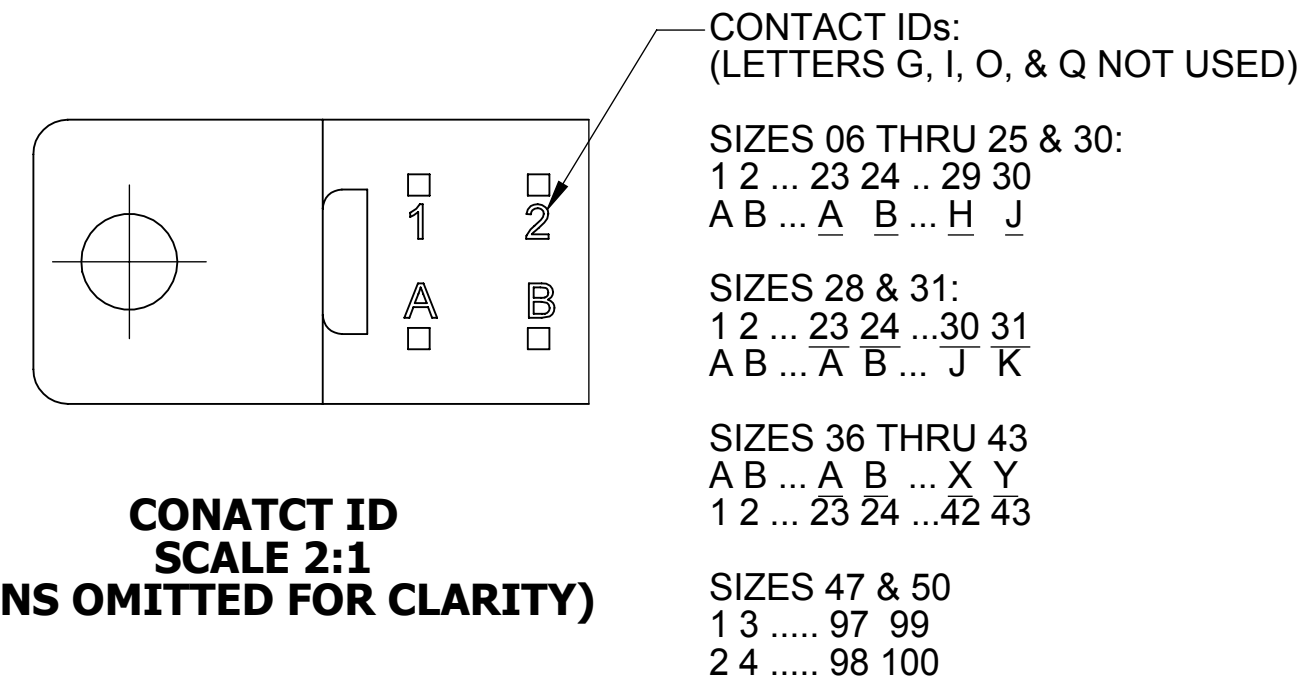
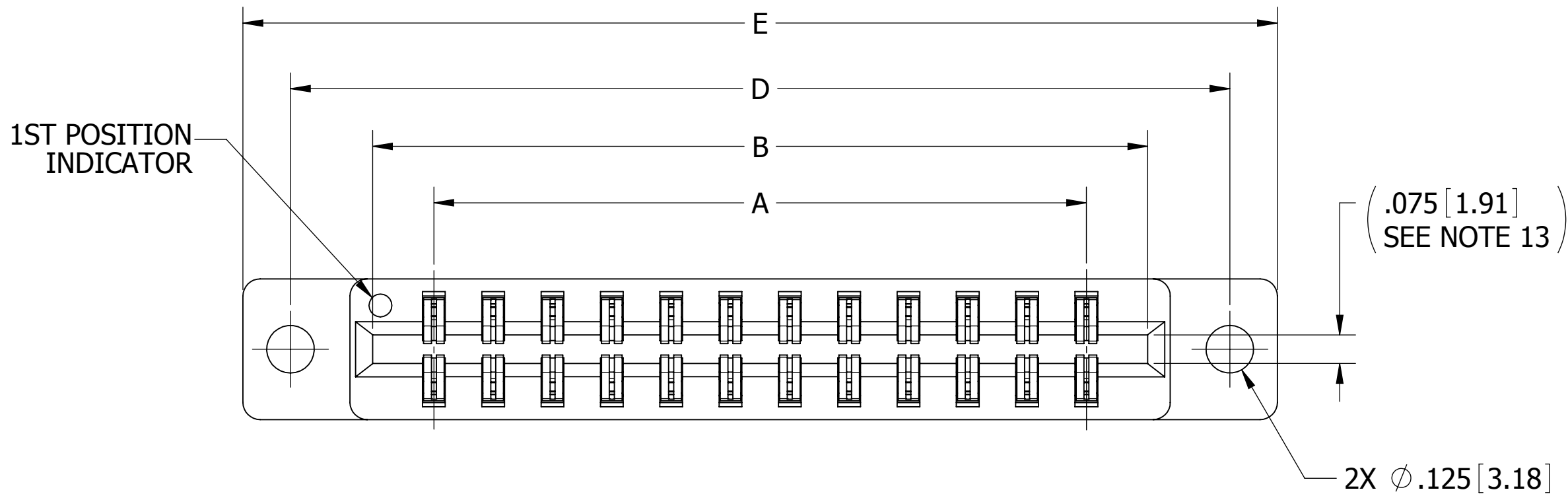


REVISIONS				
REV.	ECO. NO	DESCRIPTION	DATE	BY
A	2021	INITIAL RELEASE	05/03/11	EB
B	2720	ADDED TOLERANCE TO BODY WIDTH & UPDATED DWG FORMAT	1/29/2013	KV



ACCEPTS .062 [1.57] PCB

**SECTION A-A**

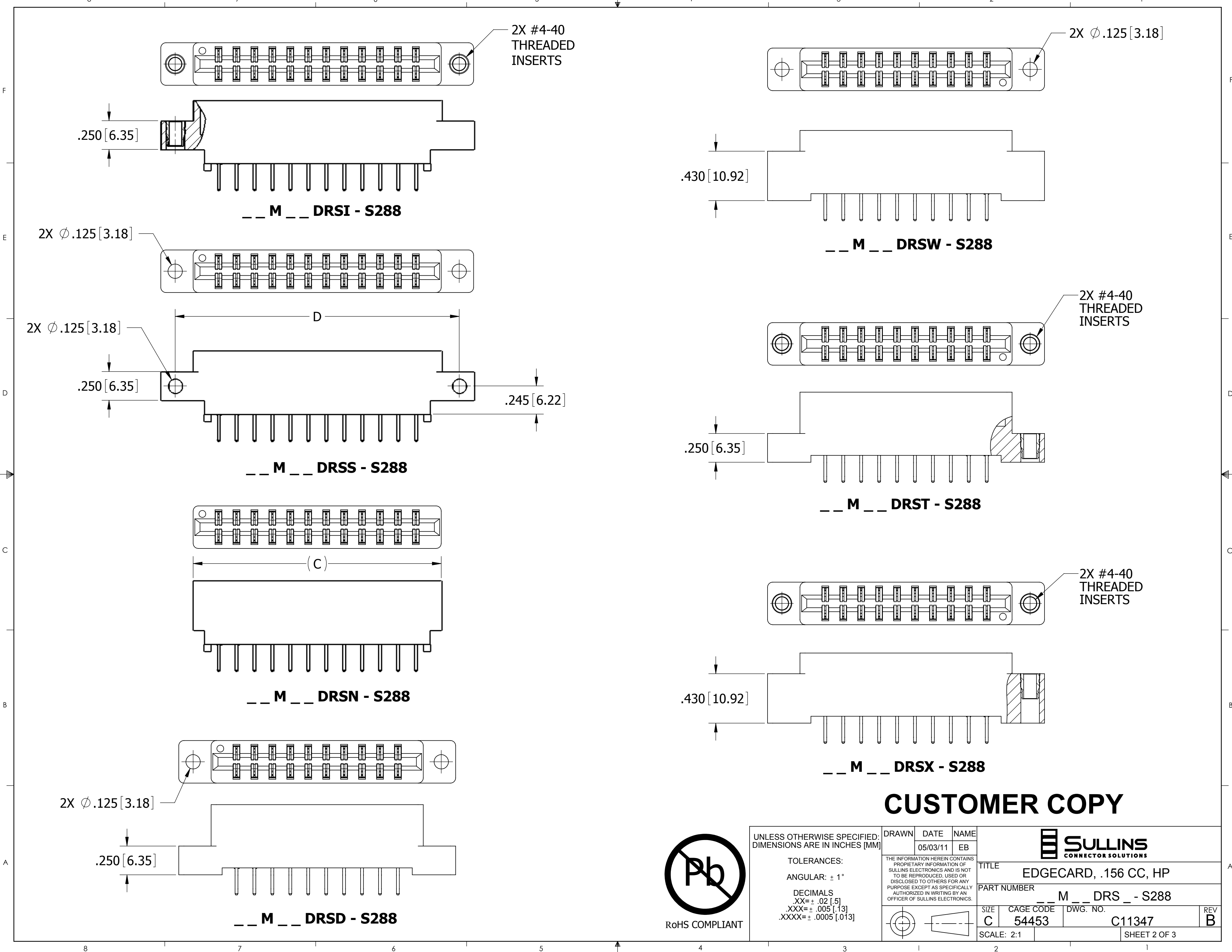
**\_\_ M \_\_ DRSH - S288**

- NOTES:**
- INSULATOR MATERIAL: SEE PART NUMBER CODING
  - CONTACT MATERIAL: SEE PART NUMBER CODING
  - PLATING: SEE PART NUMBER CODING
  - OPERATING TEMPERATURE: SEE PART NUMBER CODING
  - PROCESSING TEMP: SEE PART NUMBER CODING
  - UL FLAMMABILITY RATING: 94V-0
  - OPERATING VOLTAGE: 950 VAC MINIMUM AT SEA LEVEL
  - CURRENT RATING: 3 AMP
  - CONTACT RESISTANCE: 30 MILLI OHMS MAX
  - INSULATION RESISTANCE: 5000 MEGA OHMS
  - DURABILITY: 500 CYCLES MIN
  - CONNECTOR IDENTIFICATION: THE PART SHALL BE MARKED WITH A PART NUMBER AND LOT CODE
  - BOARD THICKNESS ACCOMMODATED: .062 ± .008 [1.57 ± 0.20]
  - INSERTION FORCE: 8 OZ MAX PER CONTACT PAIR WHEN USING A .062 [1.57] TEST BLADE
  - WITHDRAWAL FORCE: 1 OZ MIN PER CONTACT PAIR USING .062 [1.57] PCB
  - MODIFICATION: CARD EXTENDER BEND .055 [1.40] INSIDE FOR .062 [1.57] PCB



**CUSTOMER COPY**

UNLESS OTHERWISE SPECIFIED: DIMENSIONS ARE IN INCHES [MM]		DRAWN	DATE	NAME		
			05/03/11	EB		
TOLERANCES:					<small>THE INFORMATION HEREIN CONTAINS PROPRIETARY INFORMATION OF SULLINS ELECTRONICS AND IS NOT TO BE REPRODUCED, USED OR DISCLOSED TO OTHERS FOR ANY PURPOSE EXCEPT AS SPECIFICALLY AUTHORIZED IN WRITING BY AN OFFICER OF SULLINS ELECTRONICS.</small>	
ANGULAR: ± 1°					TITLE EDGE CARD, .156 CC, HP	
DECIMALS .XX = ± .02 [.5] .XXX = ± .005 [1.3] .XXXX = ± .0005 [0.13]					PART NUMBER __ M __ DRS _ - S288	
SCALE: 3:1		SIZE C	CAGE CODE 54453	DWG. NO. C11347	REV B	
					SHEET 1 OF 3	



.250 [6.35]

--- M --- DRSI - S288

2X Ø.125 [3.18]

2X Ø.125 [3.18]

.250 [6.35]

--- M --- DRSS - S288

2X #4-40  
THREADED  
INSERTS

2X Ø.125 [3.18]

.430 [10.92]

--- M --- DRSW - S288

2X #4-40  
THREADED  
INSERTS

.250 [6.35]

--- M --- DRST - S288

2X #4-40  
THREADED  
INSERTS

.430 [10.92]

--- M --- DRSX - S288

2X Ø.125 [3.18]

.250 [6.35]

--- M --- DRSD - S288

# CUSTOMER COPY



UNLESS OTHERWISE SPECIFIED:  
DIMENSIONS ARE IN INCHES [MM]

TOLERANCES:  
ANGULAR: ± 1°

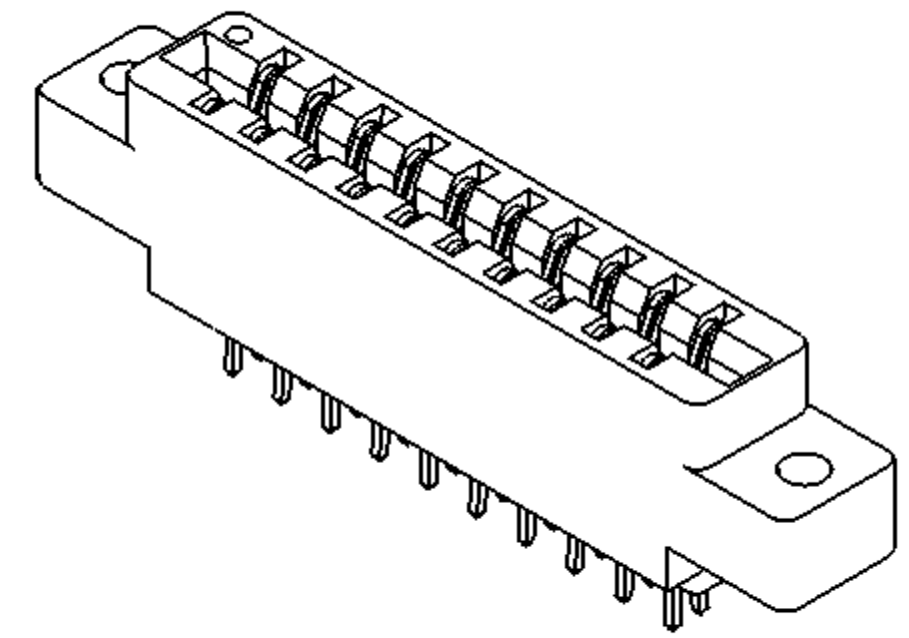
DECIMALS  
.XX = ± .02 [.5]  
.XXX = ± .005 [.13]  
.XXXX = ± .0005 [.013]

DRAWN	DATE	NAME
	05/03/11	EB
<small>THE INFORMATION HEREIN CONTAINS PROPRIETARY INFORMATION OF SULLINS ELECTRONICS AND IS NOT TO BE REPRODUCED, USED OR DISCLOSED TO OTHERS FOR ANY PURPOSE EXCEPT AS SPECIFICALLY AUTHORIZED IN WRITING BY AN OFFICER OF SULLINS ELECTRONICS.</small>		



TITLE EDGE CARD, .156 CC, HP		
PART NUMBER --- M --- DRS --- S288		
SIZE C	CAGE CODE 54453	DWG. NO. C11347
SCALE: 2:1		SHEET 2 OF 3
		REV B

PART NUMBER	NO. OF POS.	A±.008[0.20]		B±.008[0.20]		C±.015[0.38]		D±.010[0.25]		E±.020[0.51]		F±.015[0.38]	
		INCH	MM	INCH	MM	INCH	MM	INCH	MM	INCH	MM	INCH	MM
M06DRS - S288	6	0.780	19.81	1.102	27.99	1.221	31.01	1.534	38.96	1.784	45.31	1.030	26.16
M08DRS - S288	8	1.092	27.74	1.414	35.92	1.533	38.94	1.846	46.89	2.096	53.24	1.342	34.09
M10DRS - S288	10	1.404	35.66	1.726	43.84	1.845	46.86	2.158	54.81	2.408	61.16	1.654	42.01
M12DRS - S288	12	1.716	43.59	2.038	51.77	2.157	54.79	2.470	62.74	2.720	69.09	1.966	49.94
M15DRS - S288	15	2.184	55.47	2.506	63.65	2.625	66.68	2.938	74.63	3.188	80.98	2.434	61.82
M18DRS - S288	18	2.652	67.36	2.974	75.54	3.093	78.56	3.406	86.51	3.656	92.86	2.902	73.71
M20DRS - S288	20	2.964	75.29	3.286	83.46	3.405	86.49	3.718	94.44	3.968	100.79	3.214	81.64
M22DRS - S288	22	3.276	83.21	3.598	91.39	3.717	94.41	4.030	102.36	4.280	108.71	3.526	89.56
M24DRS - S288	24	3.588	91.14	3.910	99.31	4.029	102.34	4.342	110.29	4.592	116.64	3.838	97.49
M25DRS - S288	25	3.744	95.10	4.066	103.28	4.185	106.30	4.498	114.25	4.748	120.60	3.994	101.45
M28DRS - S288	28	4.212	106.98	4.534	115.16	4.653	118.19	4.966	126.14	5.216	132.49	4.462	113.33
M30DRS - S288	30	4.524	114.91	4.846	123.09	4.965	126.11	5.278	134.06	5.528	140.41	4.774	121.26
M31DRS - S288	31	4.680	118.87	5.002	127.05	5.121	130.07	5.434	138.02	5.684	144.37	4.930	125.22
M36DRS - S288	36	5.460	138.68	5.782	146.86	5.901	149.89	6.214	157.84	6.464	164.19	5.710	145.03
M40DRS - S288	40	6.084	154.53	6.406	162.71	6.525	165.74	6.838	173.69	7.088	180.04	6.334	160.88
M43DRS - S288	43	6.552	166.42	6.874	174.60	6.993	177.62	7.306	185.57	7.556	191.92	6.802	172.77
M47DRS - S288	47	7.176	182.27	7.498	190.45	7.617	193.47	7.930	201.42	8.180	207.77	7.426	188.62
M50DRS - S288	50	7.644	194.16	7.966	202.34	8.085	205.36	8.398	213.31	8.648	219.66	7.894	200.51



### PART NUMBER CODING

**M** **DRS** - **S288**

#### MATERIAL (INSULATOR/CONTACT)

- E = PBT/PHOSPHOR BRONZE**  
OPERATING TEMP: -65°C TO +125°C  
PROCESSING TEMP: MANUAL
- R = PPS/PHOSPHOR BRONZE**  
OPERATING TEMP: -65°C TO +125°C  
PROCESSING TEMP: 260°C FOR 120 SECS MAX
- G = PA9T/PHOSPHOR BRONZE**  
OPERATING TEMP: -65°C TO +125°C  
PROCESSING TEMP: 260°C FOR 20 SECS MAX
- H = PBT/BERYLLIUM COPPER**  
OPERATING TEMP: -65°C TO +125°C  
PROCESSING TEMP: MANUAL
- A = PPS/BERYLLIUM COPPER**  
OPERATING TEMP: -65°C TO +150°C  
PROCESSING TEMP: 260°C FOR 120 SECS MAX
- J = PA9T/BERYLLIUM COPPER**  
OPERATING TEMP: -65°C TO +150°C  
PROCESSING TEMP: 260°C FOR 20 SECS MAX  
(CONSULT FACTORY FOR OTHER MATERIALS)

#### NUMBER OF POSITIONS (CONTACTS PER ROW)

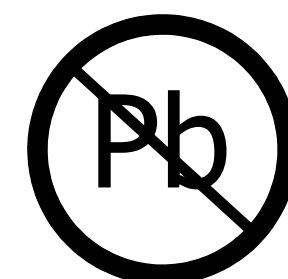
#### PLATING

- ALL PLATINGS ARE LEAD FREE AND HAVE .000050" NICKEL UNDERPLATE**
- |   |                          |
|---|--------------------------|
| CONTACT SURFACE   | TERMINATION              |
| B = .000010" GOLD   | .000100" PURE TIN, MATTE |
| C = .000030" GOLD   | .000100" PURE TIN, MATTE |
| G = .000010" GOLD   | .000005" GOLD            |
| Y = .000030" GOLD   | .000005" GOLD            |
| S = .000010" GOLD OVERALL                                 |                          |
| M = .000030" GOLD   | .000010" GOLD OVERALL    |
| *E = .000100" PURE TIN, MATTE, OVERALL                    |                          |
| * OVERALL TIN ONLY AVAILABLE ON MATERIAL CODES E, R AND G |                          |

#### MOUNTING STYLE

- H = .125" DIA. CLEARANCE HOLES (PAGE 1)
- I = #4-40 THREADED INSERT (PAGE 2)
- S = .125" DIA. SIDE MOUNTING (PAGE 2)
- N = NO MOUNTING EARS (PAGE 2)
- D,W = FLUSH MOUNTING (PAGE 2)
- T,X = FLUSH MOUNTING WITH THREADED INSERTS (PAGE 2)

## CUSTOMER COPY



RoHS COMPLIANT

UNLESS OTHERWISE SPECIFIED: DIMENSIONS ARE IN INCHES [MM]		DRAWN	DATE	NAME		
			05/03/11	EB		
TOLERANCES:					<small>THE INFORMATION HEREIN CONTAINS PROPRIETARY INFORMATION OF SULLINS ELECTRONICS AND IS NOT TO BE REPRODUCED, USED OR DISCLOSED TO OTHERS FOR ANY PURPOSE EXCEPT AS SPECIFICALLY AUTHORIZED IN WRITING BY AN OFFICER OF SULLINS ELECTRONICS.</small>	
ANGULAR: ± 1°					TITLE EDGE CARD, .156 CC, HP	
DECIMALS .XX = ± .02 [.5] .XXX = ± .005 [.13] .XXXX = ± .0005 [.013]					PART NUMBER M DRS - S288	
SCALE: 2:1		SIZE C	CAGE CODE 54453	DWG. NO. C11347	REV B	
					SHEET 3 OF 3	