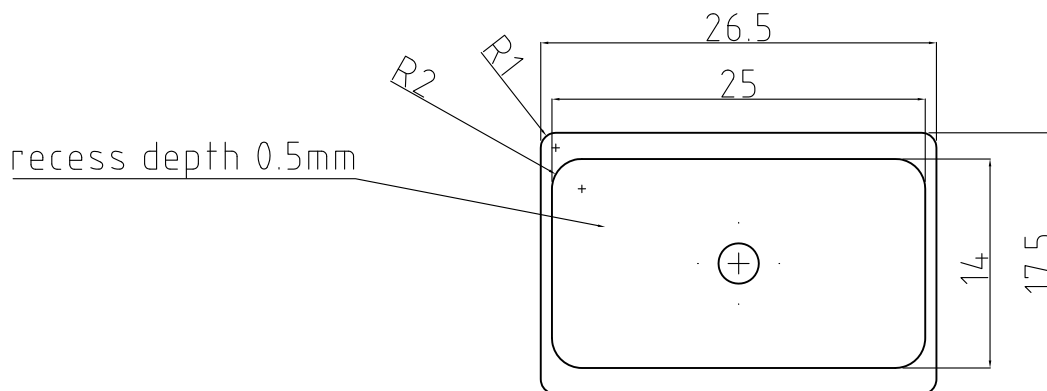
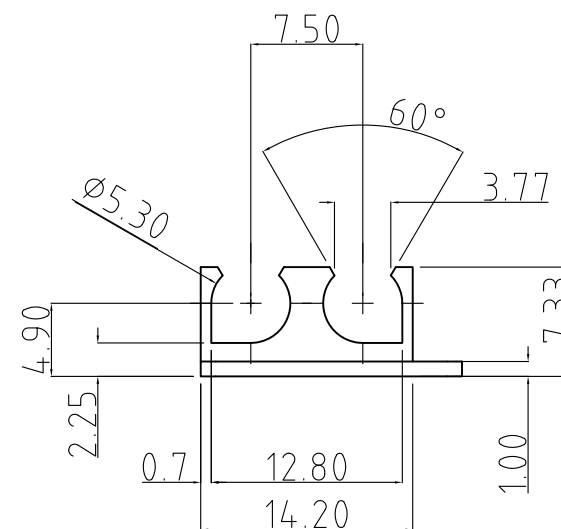
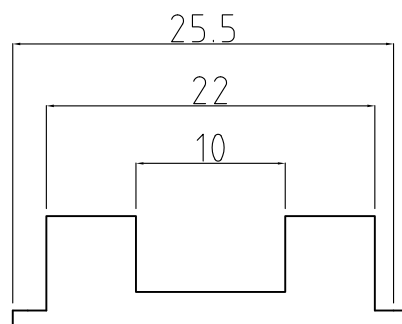
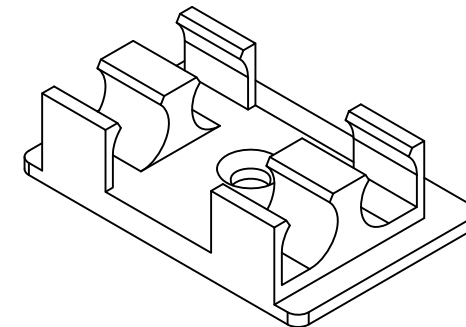
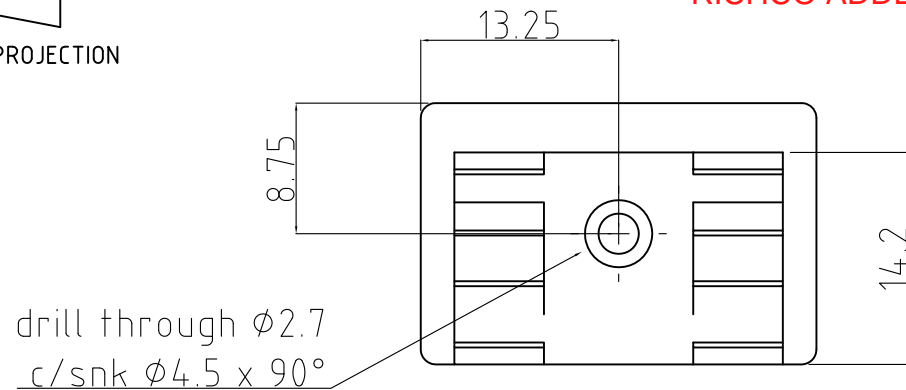


RICHCO ADDED RMS NO. 04/08/09

REV	DESCRIPTION	DATE	APPROVED
1	INITIAL ISSUE	290300	
2	Colour added	120201	CN00257
3	MATL. SPEC. CHANGE	20/12/01	CN10



EFA04 63 ASS =EFA04 63 001 (RMS-390)  
WITH ADHESIVE PAD (RMS-143)

F.R. NYLON 6 RADIFLAM SAE100 OR EQUIVLANT.

NOTES: MOULD IN GREEN, NO FLASH OR SHORT SHOTS ARE ACCEPTBLE

ALL DIMS IN MM UNLESS STATED		GEN TOLS 0 = +/-0.5 0.0 = +/-0.3 0.00 = +/-0.1		EUROPLUS FIBRE OPTICS Europlus House, Thompson Drive, Anglia International Airpark, Rendlesham, Suffolk, IP12 2RQ. Tel: (01394) 445100 Fax: (01394) 445109		
DRAWN CDD	DATE 290300	SIZE	FILE NAME	DWG. No	REV.	
CHKD CDD	DATE 290300		0463001	EFA04 63 001	3	
DO NOT SCALE DRAWING		SCALE 2:1	SHEET 1 of 1			

MATERIAL	SEE NOTES	THIS DOCUMENT CONTAINS PROPRIETARY INFORMATION WHICH SHALL NOT BE REPRODUCED, TRANSFERRED TO OTHER DOCUMENTS, DISCLOSED TO OTHERS USED FOR MANUFACTURING OR ANY OTHER PURPOSE WITHOUT THE WRITTEN AUTHORISATION OF EUROPLUS FIBRE OPTICS LTD.
FINISH	flash free	
ICE No:		

DESCRIPTION  
Isolator clip  $\phi 5.5\text{mm}$