

0.5mm Pitch, 1.0mm above the board Top and Top/Bottom Contact, Back-Flip Actuator Flexible Printed Circuit & Flexible Flat Cable ZIF Connectors

FH34 Series



●3.8mm Depth

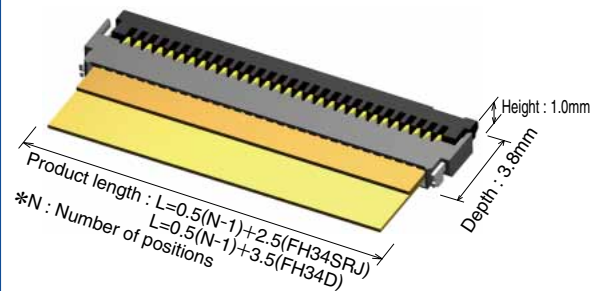


Fig.1

■Features

1. Low-profile

With the 1.0mm above the board and width of 3.8mm the connectors are used in space saving applications. (Fig.2)

2. FH34SRJ : Increased FPC/FFC retention force

As compared with existing similar construction connectors :

- * In horizontal direction : Approximately 2.6 times higher
- * In vertical direction : Approximately 2 times higher

3. FH34D : Mechanical lock type

FPC/FFC retention force can be further enhanced by the mechanism of lock contacts.

- * In horizontal direction : Approximately 2.5N higher than FH34SRJ (Fig.3)

4. Unique Back-Flip rotating actuator

The rotating actuator opens from the back of the connector, assuring reliable electrical and mechanical connection. (Fig.4)

5. Easy FPC insertion and reliable electrical connection

Proven Flip Lock actuator allows easy insertion of FPC and provides a tactile sensation when fully closed, confirming complete electrical and mechanical connection.

6. Delivered with the actuator open

FPC/FFC can be immediately inserted without the need for the opening of the actuator. (Fig.2)

7. Accepts standard FPC thickness

0.3mm thick standard Flexible Printed Circuit (FPC) can be used. This is the only ultra-low profile ZIF connector using standard FPC.

8. Conductive traces on the PCB can run under the connector

No exposed contacts on the bottom of the connector.

9. Halogen-free*

- *As defined by IEC61249-2-21
- Br-900ppm maximum, Cl-900ppm maximum,
- Cl + Br combined-1,500ppm maximum

10. Board placement with automatic equipment

Flat upper surface and tape and reel packaging facilitate vacuum pick-up and placement. Standard reel packaging contains 5000 connectors.

●Top/Bottom Contact

●Smooth FPC/FFC Insertion

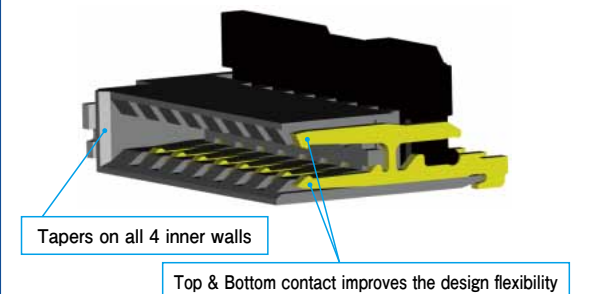


Fig.2

●Mechanical Lock Type is also available(FH34D)

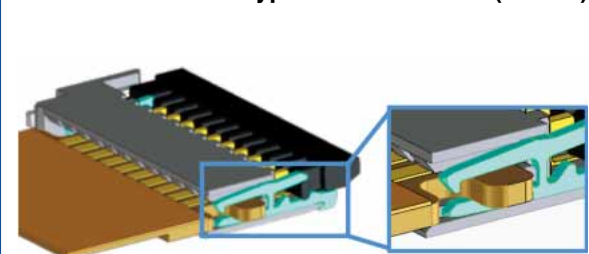


Fig.3

●FH34SRJ/FH34D Differential Impedance

130ps rise time (20-80%)

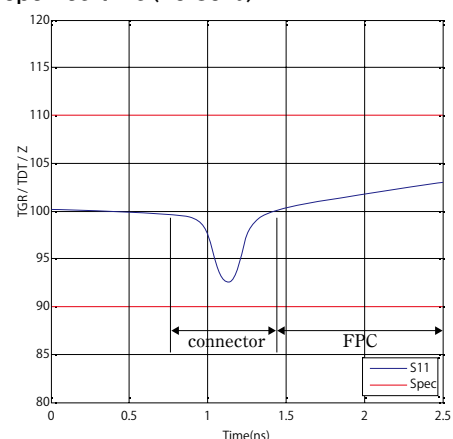


Fig.4

Product Specifications

| | | | |
|---------|--|---|--|
| Ratings | Current rating 0.5A (Note 1) Voltage rating 50Vrms AC | Operating temperature range : -55 to +105°C (Note 2) Operating humidity range : Relative humidity 90% max. (No condensation) | Storage temperature range : -10 to +50°C (Note 3) Storage humidity range : Relative humidity 90% max. (No condensation) |
|---------|--|---|--|

| | |
|---------------------|---|
| Recommended FPC/FFC | Thickness : 0.3 ± 0.03 mm, Gold plated contact pads |
|---------------------|---|

| Item | Specification | Conditions |
|---------------------------------|--|---|
| 1. Insulation resistance | 500MΩ min. | 100V DC |
| 2. Withstanding voltage | No flashover or insulation breakdown | 250Vrms AC / 1 minute |
| 3. Contact resistance | 100mΩ max. * Including FPC and FFC conductor resistance | 1mA, AC / DC 20mV max (AC : 1kHz) |
| 4. Durability | Contact resistance : 100mΩ max. No damage, cracks, or parts dislocation | 20cycles |
| 5. Vibration | No electrical discontinuity of 1μs or longer Contact resistance : 100mΩ max. No damage, cracks, or parts dislocation | Frequency : 10 to 55 Hz, single amplitude of 0.75 mm, 10 cycles in each of the 3 axis |
| 6. Shock | No electrical discontinuity of 1μs or longer Contact resistance : 100mΩ max. No damage, cracks, or parts dislocation | Acceleration of 981m/s ² , 6 ms duration, sine half-wave, 3 cycles in each of the 3 axis |
| 7. Humidity (Steady state) | Contact resistance : 100mΩ max. Insulation resistance : 50MΩ min. No damage, cracks, or parts dislocation | 96 hours at 40°C and humidity of 90 to 95% |
| 8. Temperature cycle | Contact resistance : 100mΩ max. Insulation resistance : 50MΩ min. No damage, cracks, or parts dislocation | Temperature : -55°C → +15°C to +35°C → +105°C → +15°C to +35°C Time : 30 → 2 to 3 → 30 → 2 to 3 minutes 5 cycles |
| 9. Resistance to soldering heat | No deformation of components affecting performance | Reflow : At the recommended temperature profile Manual soldering : 350°C ±10°C for 5 seconds (Note 3) |

Note1 : When passing the current through all of the contacts, use 70% of the rated current.

Note2 : Includes temperature rise caused by current flow.

Note3 : The term "storage" refers to products stored for a long period prior to mounting and use.

The operating temperature and humidity range covers the non-conducting condition of installed connectors in storage, shipment or during transportation after board mounting.

Materials / Finish

| Part | Material | Finish | Remarks |
|---------------|-----------------|----------------------------------|---------|
| Insulator | LCP | Color : Gray | UL94V-0 |
| | PA | Color : Black | |
| | LCP(8pos.) | | |
| Contacts | Phosphor bronze | Gold plating with nickel barrier | ———— |
| Metalfittings | Phosphor bronze | Pure tin reflow plating | ———— |

Product Number Structure

Refer to the chart below when determining the product specifications from the product number.

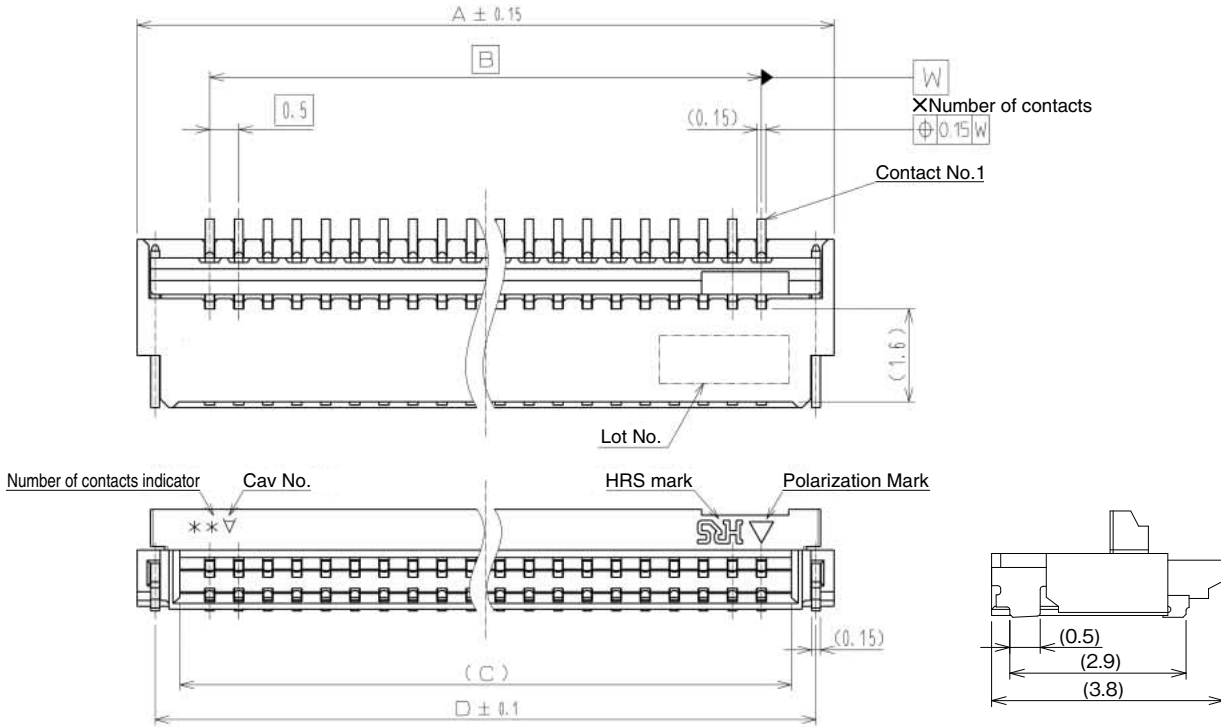
Please select from the product numbers listed in this catalog when placing orders.

FH 34 SRJ – 30S – 0.5 SH (50)

①
②
③
④
⑤
⑥
⑦

| | |
|--|---|
| ① Series name : FH | ⑤ Contact pitch : 0.5mm |
| ② Series No. : 34 | ⑥ Termination type SH : SMT horizontal mounting type |
| ③ SRJ : FPC/FFC notches non-applicable D : FPC/FFC notches applicable | ⑦ Specifications (50)...Standard product 5,000 pcs/reel (99)...500 pcs/reel |
| ④ Number of Contacts : 4 to 50 | |

Connector Dimensions [FH34SRJ]



- Note 1 : The coplanarity of each terminal lead within specified dimension is 0.1mm Max.
 Note 2 : Packaged on tape and reel only. Check packaging specification.
 Note 3 : Slight variations in color of the plastic compounds do not affect form, fit or function of the connector.
 Note 4 : After reflow, the terminal plating may change color, however this does not represent a quality issue.

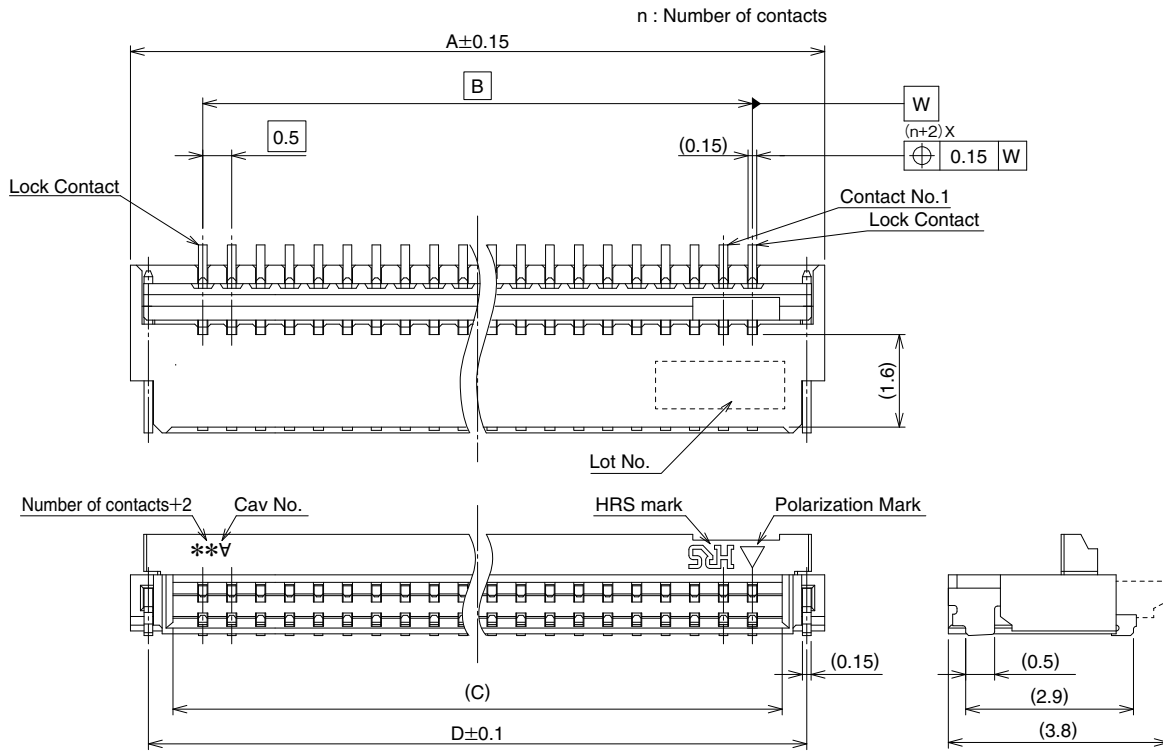
Unit : mm

| Part No. | HRS No. | No. of Contacts | A | B | C | D |
|-----------------------|---------------|-----------------|------|------|-------|-------|
| FH34SRJ-4S-0.5SH(50) | 580-1238-7 50 | 4 | 4 | 1.5 | 2.53 | 3.38 |
| FH34SRJ-5S-0.5SH(50) | 580-1264-7 50 | 5 | 4.5 | 2 | 3.03 | 3.88 |
| FH34SRJ-6S-0.5SH(50) | 580-1236-1 50 | 6 | 5 | 2.5 | 3.53 | 4.38 |
| FH34SRJ-7S-0.5SH(50) | 580-1200-0 50 | 7 | 5.5 | 3 | 4.03 | 4.88 |
| FH34SRJ-8S-0.5SH(50) | 580-1231-8 50 | 8 | 6 | 3.5 | 4.53 | 5.38 |
| FH34SRJ-9S-0.5SH(50) | 580-1262-1 50 | 9 | 6.5 | 4 | 5.03 | 5.88 |
| FH34SRJ-10S-0.5SH(50) | 580-1251-5 50 | 10 | 7 | 4.5 | 5.53 | 6.38 |
| FH34SRJ-11S-0.5SH(50) | 580-1258-4 50 | 11 | 7.5 | 5 | 6.03 | 6.88 |
| FH34SRJ-12S-0.5SH(50) | 580-1253-0 50 | 12 | 8 | 5.5 | 6.53 | 7.38 |
| FH34SRJ-14S-0.5SH(50) | 580-1252-8 50 | 14 | 9 | 6.5 | 7.53 | 8.38 |
| FH34SRJ-16S-0.5SH(50) | 580-1259-7 50 | 16 | 10 | 7.5 | 8.57 | 9.38 |
| FH34SRJ-18S-0.5SH(50) | 580-1248-0 50 | 18 | 11 | 8.5 | 9.57 | 10.38 |
| FH34SRJ-20S-0.5SH(50) | 580-1256-9 50 | 20 | 12 | 9.5 | 10.57 | 11.38 |
| FH34SRJ-22S-0.5SH(50) | 580-1254-3 50 | 22 | 13 | 10.5 | 11.57 | 12.38 |
| FH34SRJ-24S-0.5SH(50) | 580-1255-6 50 | 24 | 14 | 11.5 | 12.57 | 13.38 |
| FH34SRJ-26S-0.5SH(50) | 580-1247-8 50 | 26 | 15 | 12.5 | 13.57 | 14.38 |
| FH34SRJ-30S-0.5SH(50) | 580-1232-0 50 | 30 | 17 | 14.5 | 15.57 | 16.38 |
| FH34SRJ-32S-0.5SH(50) | 580-1257-1 50 | 32 | 18 | 15.5 | 16.53 | 17.38 |
| FH34SRJ-34S-0.5SH(50) | 580-1261-9 50 | 34 | 19 | 16.5 | 17.53 | 18.38 |
| FH34SRJ-40S-0.5SH(50) | 580-1260-6 50 | 40 | 22 | 19.5 | 20.53 | 21.38 |
| FH34SRJ-45S-0.5SH(50) | 580-1265-0 50 | 45 | 24.5 | 22 | 23.03 | 23.88 |
| FH34SRJ-50S-0.5SH(50) | 580-1266-2 50 | 50 | 27 | 24.5 | 25.53 | 26.38 |

Note : Tape and reel packaging. (5,000pcs/reel, 500pcs/reel)

Order by number of reels.

Connector Dimensions [FH34D]



Note 1 : The coplanarity of each terminal lead within specified dimension is 0.1mm Max.

Note 2 : Packaged on tape and reel only. Check packaging specification.

Note 3 : Slight variations in color of the plastic compounds do not affect form, fit or function of the connector.

Note 4 : After reflow, the terminal plating may change color, however this does not represent a quality issue.

Unit : mm

| Part No. | HRS No. | No. of Contacts | A | B | C | D |
|---------------------|---------------------------|-----------------|----|------|-------|-------|
| FH34D-4S-0.5SH(50) | Under developing (Note 1) | 4 | 5 | 2.5 | 3.53 | 4.38 |
| FH34D-6S-0.5SH(50) | Under developing (Note 1) | 6 | 6 | 3.5 | 4.53 | 5.38 |
| FH34D-8S-0.5SH(50) | Under developing (Note 1) | 8 | 7 | 4.5 | 5.53 | 6.38 |
| FH34D-10S-0.5SH(50) | 580-1270-0 50 | 10 | 8 | 5.5 | 6.53 | 7.38 |
| FH34D-12S-0.5SH(50) | Under developing (Note 1) | 12 | 9 | 6.5 | 7.53 | 8.38 |
| FH34D-14S-0.5SH(50) | Under developing (Note 1) | 14 | 10 | 7.5 | 8.57 | 9.38 |
| FH34D-16S-0.5SH(50) | Under developing (Note 1) | 16 | 11 | 8.5 | 9.57 | 10.38 |
| FH34D-20S-0.5SH(50) | Under developing (Note 1) | 20 | 13 | 10.5 | 11.57 | 12.38 |
| FH34D-24S-0.5SH(50) | Under developing (Note 1) | 24 | 15 | 12.5 | 13.57 | 14.38 |
| FH34D-30S-0.5SH(50) | Under developing (Note 1) | 30 | 18 | 15.5 | 16.53 | 17.38 |

Note 1 : Contact positions without HRS No. are currently under developing.

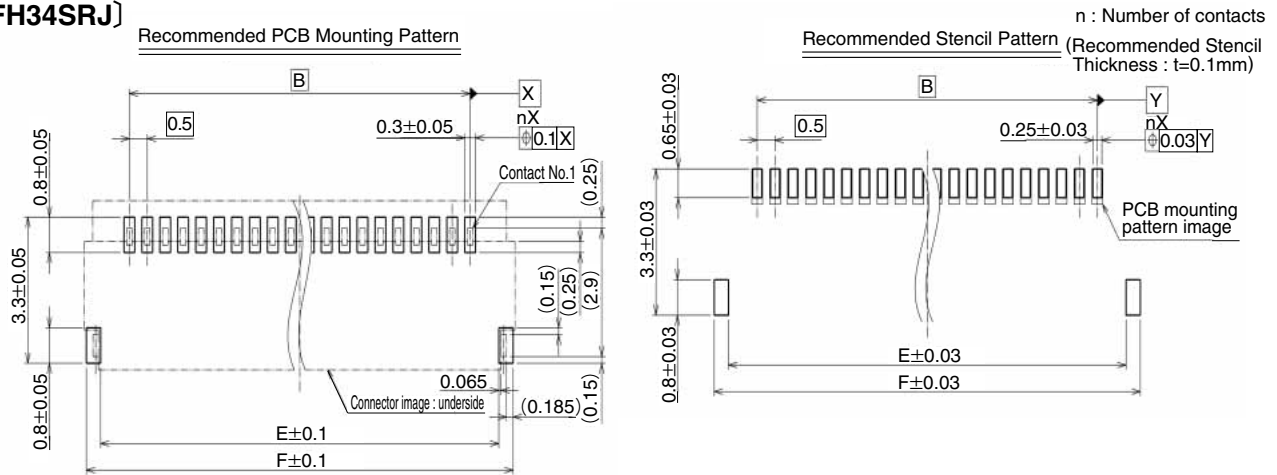
Please contact HIROSE for detailed information about product variation.

Note 2 : Tape and reel packaging. (5,000pcs/reel, 500pcs/reel)

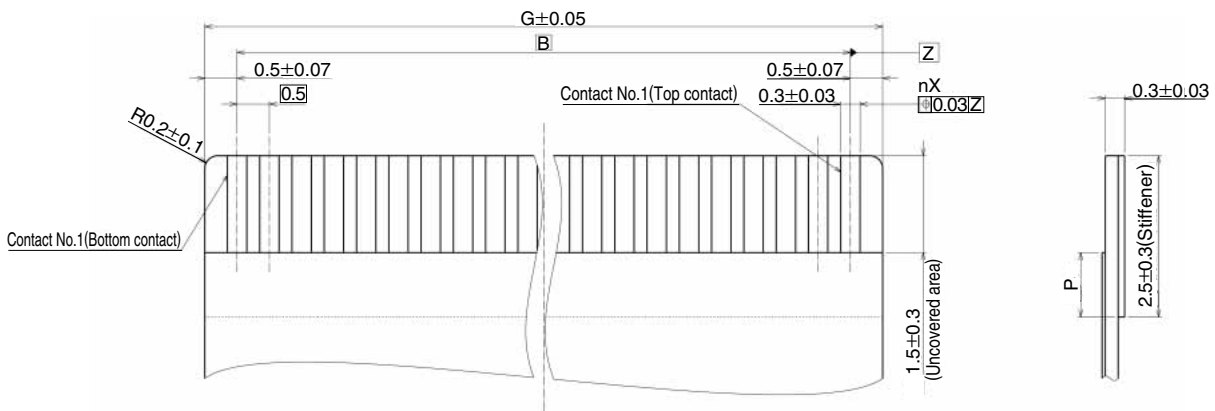
Order by number of reels.

Recommended PCB mounting pattern and metal mask dimensions

[FH34SRJ]



Recommended FPC/FFC Dimensions



Note 1 : Dimension P shall be 0.5mm min.

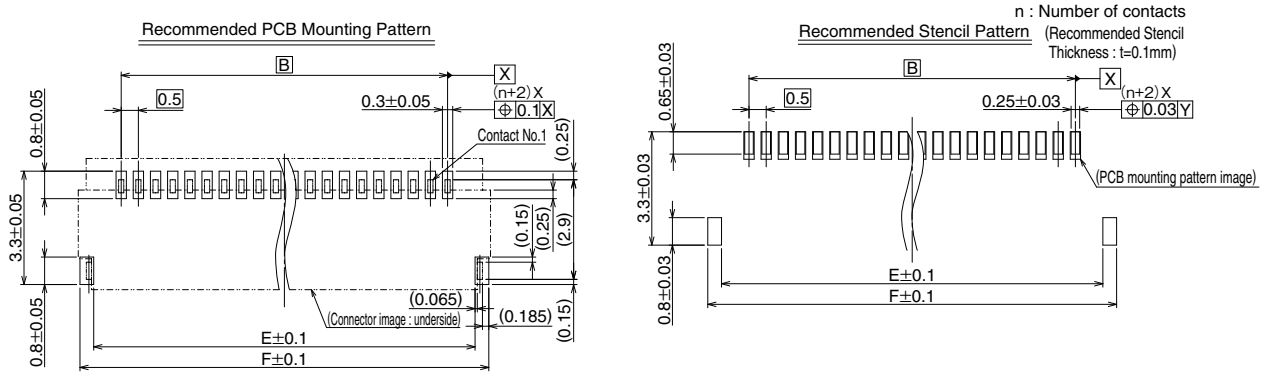
Note 2 : The recommended FPC pattern above has been designed only for FH34SRJ series.

When using the FPC for FH19SC series (lower contact), uncovered area shall be 2.5 ± 0.3 mm and stiffener shall be 3.5mm min.

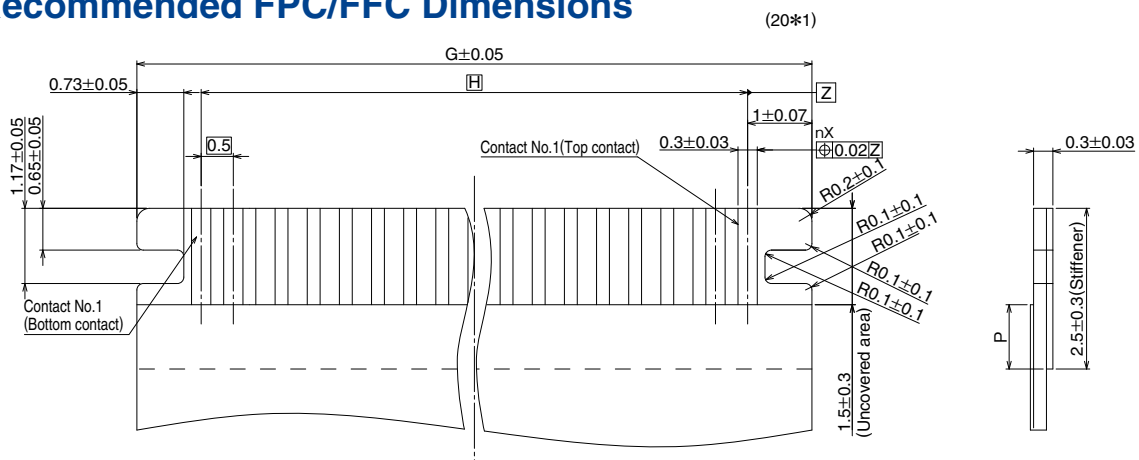
Unit : mm

| Part No. | HRS No. | No. of Contacts | B | E | F | G |
|-----------------------|---------------|-----------------|------|------|------|------|
| FH34SRJ-4S-0.5SH(50) | 580-1238-7 50 | 4 | 1.5 | 3.1 | 3.9 | 2.5 |
| FH34SRJ-5S-0.5SH(50) | 580-1264-7 50 | 5 | 2 | 3.6 | 4.4 | 3 |
| FH34SRJ-6S-0.5SH(50) | 580-1236-1 50 | 6 | 2.5 | 4.1 | 4.9 | 3.5 |
| FH34SRJ-7S-0.5SH(50) | 580-1200-0 50 | 7 | 3 | 4.6 | 5.4 | 4 |
| FH34SRJ-8S-0.5SH(50) | 580-1231-8 50 | 8 | 3.5 | 5.1 | 5.9 | 4.5 |
| FH34SRJ-9S-0.5SH(50) | 580-1262-1 50 | 9 | 4 | 5.6 | 6.4 | 5 |
| FH34SRJ-10S-0.5SH(50) | 580-1251-5 50 | 10 | 4.5 | 6.1 | 6.9 | 5.5 |
| FH34SRJ-11S-0.5SH(50) | 580-1258-4 50 | 11 | 5 | 6.6 | 7.4 | 6 |
| FH34SRJ-12S-0.5SH(50) | 580-1253-0 50 | 12 | 5.5 | 7.1 | 7.9 | 6.5 |
| FH34SRJ-14S-0.5SH(50) | 580-1252-8 50 | 14 | 6.5 | 8.1 | 8.9 | 7.5 |
| FH34SRJ-16S-0.5SH(50) | 580-1259-7 50 | 16 | 7.5 | 9.1 | 9.9 | 8.5 |
| FH34SRJ-18S-0.5SH(50) | 580-1248-0 50 | 18 | 8.5 | 10.1 | 10.9 | 9.5 |
| FH34SRJ-20S-0.5SH(50) | 580-1256-9 50 | 20 | 9.5 | 11.1 | 11.9 | 10.5 |
| FH34SRJ-22S-0.5SH(50) | 580-1254-3 50 | 22 | 10.5 | 12.1 | 12.9 | 11.5 |
| FH34SRJ-24S-0.5SH(50) | 580-1255-6 50 | 24 | 11.5 | 13.1 | 13.9 | 12.5 |
| FH34SRJ-26S-0.5SH(50) | 580-1247-8 50 | 26 | 12.5 | 14.1 | 14.9 | 13.5 |
| FH34SRJ-30S-0.5SH(50) | 580-1232-0 50 | 30 | 14.5 | 16.1 | 16.9 | 15.5 |
| FH34SRJ-32S-0.5SH(50) | 580-1257-1 50 | 32 | 15.5 | 17.1 | 17.9 | 16.5 |
| FH34SRJ-34S-0.5SH(50) | 580-1261-9 50 | 34 | 16.5 | 18.1 | 18.9 | 17.5 |
| FH34SRJ-40S-0.5SH(50) | 580-1260-6 50 | 40 | 19.5 | 21.1 | 21.9 | 20.5 |
| FH34SRJ-45S-0.5SH(50) | 580-1265-0 50 | 45 | 22 | 23.6 | 24.4 | 23 |
| FH34SRJ-50S-0.5SH(50) | 580-1266-2 50 | 50 | 24.5 | 26.1 | 26.9 | 25.5 |

Recommended PCB mounting pattern and metal mask dimensions [FH34D]



Recommended FPC/FFC Dimensions



Note 1 : Dimension P shall be 0.5mm min.

Note 2 : The recommended FPC pattern above has been designed only for FH34D series.

Unit : mm

| Part No. | HRS No. | No. of Contacts | B | E | F | G | H |
|---------------------|---------------------------|-----------------|------|------|------|------|------|
| FH34D-4S-0.5SH(50) | Under developing (Note 1) | 4 | 2.5 | 4.1 | 4.9 | 3.5 | 1.5 |
| FH34D-6S-0.5SH(50) | Under developing (Note 1) | 6 | 3.5 | 5.1 | 5.9 | 4.5 | 2.5 |
| FH34D-8S-0.5SH(50) | Under developing (Note 1) | 8 | 4.5 | 6.1 | 6.9 | 5.5 | 3.5 |
| FH34D-10S-0.5SH(50) | 580-1270-0 50 | 10 | 5.5 | 7.1 | 7.9 | 6.5 | 4.5 |
| FH34D-12S-0.5SH(50) | Under developing (Note 1) | 12 | 6.5 | 8.1 | 8.9 | 7.5 | 5.5 |
| FH34D-14S-0.5SH(50) | Under developing (Note 1) | 14 | 7.5 | 9.1 | 9.9 | 8.5 | 6.5 |
| FH34D-16S-0.5SH(50) | Under developing (Note 1) | 16 | 8.5 | 10.1 | 10.9 | 9.5 | 7.5 |
| FH34D-20S-0.5SH(50) | Under developing (Note 1) | 20 | 10.5 | 12.1 | 12.9 | 11.5 | 9.5 |
| FH34D-24S-0.5SH(50) | Under developing (Note 1) | 24 | 12.5 | 14.1 | 14.9 | 13.5 | 11.5 |
| FH34D-30S-0.5SH(50) | Under developing (Note 1) | 30 | 15.5 | 17.1 | 17.9 | 16.5 | 14.5 |

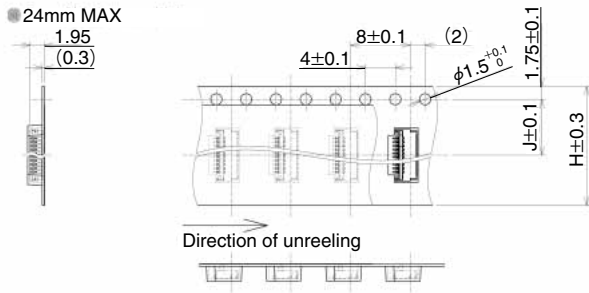
Note 1 : Contact positions without HRS No. are currently under developing.

Please contact HIROSE for detailed information about product variation.

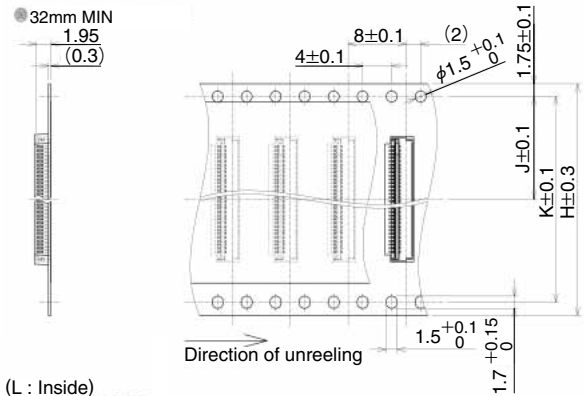
◆ Packaging Specification

[FH34SRJ]

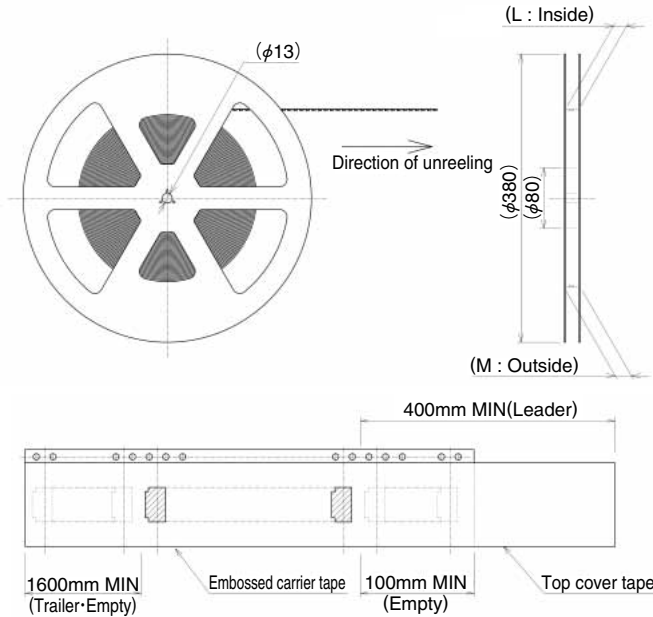
● Embossed Carrier Tape Dimensions (Tape width 24mm max.)



● Embossed Carrier Tape Dimensions (Tape width 32mm min.)



● Reel Dimensions



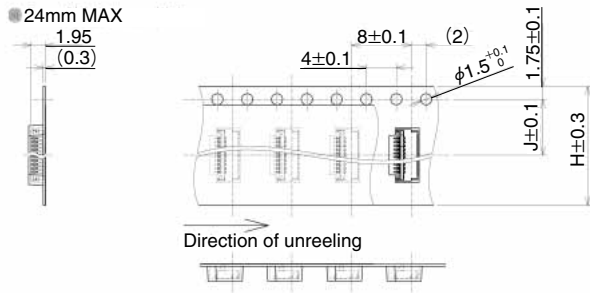
Unit : mm

| Part No. | HRS No. | No. of Contacts | H | J | K | L | M |
|-----------------------|---------------|-----------------|----|------|------|------|------|
| FH34SRJ-4S-0.5SH(50) | 580-1238-7 50 | 4 | 16 | 7.5 | - | 17.4 | 21.4 |
| FH34SRJ-5S-0.5SH(50) | 580-1264-7 50 | 5 | | | - | | |
| FH34SRJ-6S-0.5SH(50) | 580-1236-1 50 | 6 | | | - | | |
| FH34SRJ-7S-0.5SH(50) | 580-1200-0 50 | 7 | | | - | | |
| FH34SRJ-8S-0.5SH(50) | 580-1231-8 50 | 8 | | | - | | |
| FH34SRJ-9S-0.5SH(50) | 580-1262-1 50 | 9 | | | - | | |
| FH34SRJ-10S-0.5SH(50) | 580-1251-5 50 | 10 | | | - | | |
| FH34SRJ-11S-0.5SH(50) | 580-1258-4 50 | 11 | | | - | | |
| FH34SRJ-12S-0.5SH(50) | 580-1253-0 50 | 12 | 24 | 11.5 | - | 25.4 | 29.4 |
| FH34SRJ-14S-0.5SH(50) | 580-1252-8 50 | 14 | | | - | | |
| FH34SRJ-16S-0.5SH(50) | 580-1259-7 50 | 16 | | | - | | |
| FH34SRJ-18S-0.5SH(50) | 580-1248-0 50 | 18 | | | - | | |
| FH34SRJ-20S-0.5SH(50) | 580-1256-9 50 | 20 | | | - | | |
| FH34SRJ-22S-0.5SH(50) | 580-1254-3 50 | 22 | | | - | | |
| FH34SRJ-24S-0.5SH(50) | 580-1255-6 50 | 24 | | | - | | |
| FH34SRJ-26S-0.5SH(50) | 580-1247-8 50 | 26 | | | - | | |
| FH34SRJ-30S-0.5SH(50) | 580-1232-0 50 | 30 | 32 | 14.2 | 28.4 | 33.4 | 37.4 |
| FH34SRJ-32S-0.5SH(50) | 580-1257-1 50 | 32 | | | | | |
| FH34SRJ-34S-0.5SH(50) | 580-1261-9 50 | 34 | | | | | |
| FH34SRJ-40S-0.5SH(50) | 580-1260-6 50 | 40 | 44 | 20.2 | 40.4 | 45.4 | 49.4 |
| FH34SRJ-45S-0.5SH(50) | 580-1265-0 50 | 45 | | | | | |
| FH34SRJ-50S-0.5SH(50) | 580-1266-2 50 | 50 | | | | | |

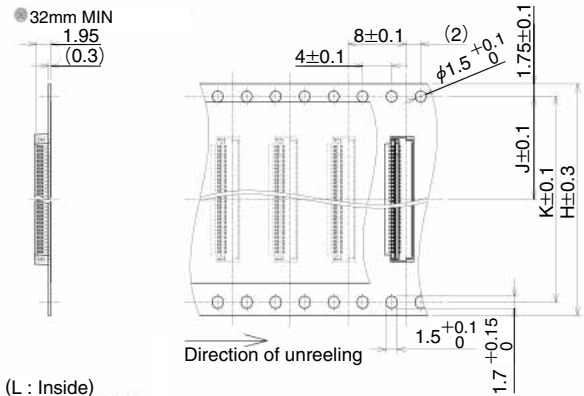
◆ Packaging Specification

[FH34D]

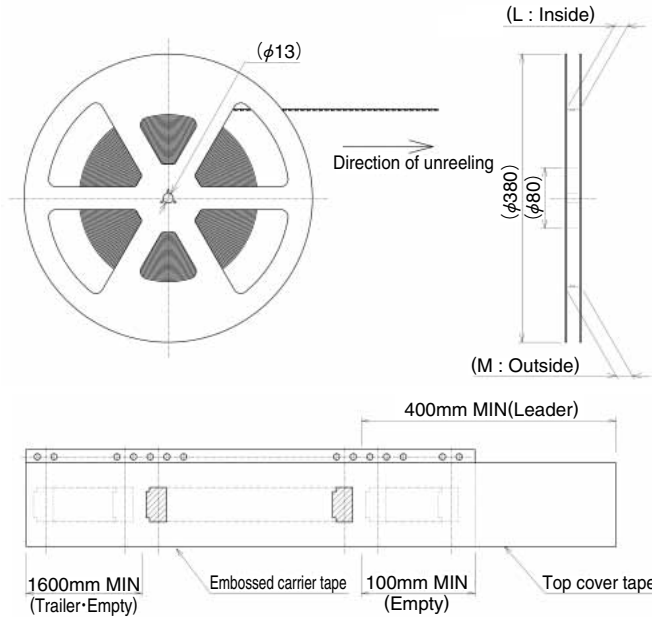
● Embossed Carrier Tape Dimensions (Tape width 24mm max.)



● Embossed Carrier Tape Dimensions (Tape width 32mm min.)



● Reel Dimensions



Unit : mm

| Part No. | HRS No. | No. of Contacts | H | J | K | L | M |
|---------------------|---------------------------|-----------------|----|------|------|------|------|
| FH34D-4S-0.5SH(50) | Under developing (Note 1) | 4 | 16 | 7.5 | - | 17.4 | 21.4 |
| FH34D-6S-0.5SH(50) | Under developing (Note 1) | 6 | | | - | | |
| FH34D-8S-0.5SH(50) | Under developing (Note 1) | 8 | | | - | | |
| FH34D-10S-0.5SH(50) | 580-1270-0 50 | 10 | 24 | 11.5 | - | 25.4 | 29.4 |
| FH34D-12S-0.5SH(50) | Under developing (Note 1) | 12 | | | - | | |
| FH34D-14S-0.5SH(50) | Under developing (Note 1) | 14 | | | - | | |
| FH34D-16S-0.5SH(50) | Under developing (Note 1) | 16 | | | - | | |
| FH34D-20S-0.5SH(50) | Under developing (Note 1) | 20 | | | - | | |
| FH34D-24S-0.5SH(50) | Under developing (Note 1) | 24 | | | - | | |
| FH34D-30S-0.5SH(50) | Under developing (Note 1) | 30 | 32 | 14.2 | 28.4 | 33.4 | 37.4 |

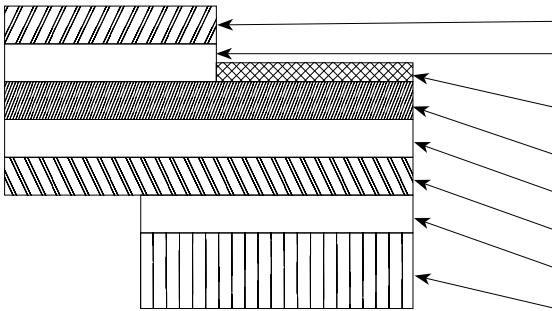
Note 1 : Contact positions without HRS No. are currently under developing.

Please contact HIROSE for detailed information about product variation.

◆ Recommended FPC construction

● Contact FPC manufacturer for specific details.

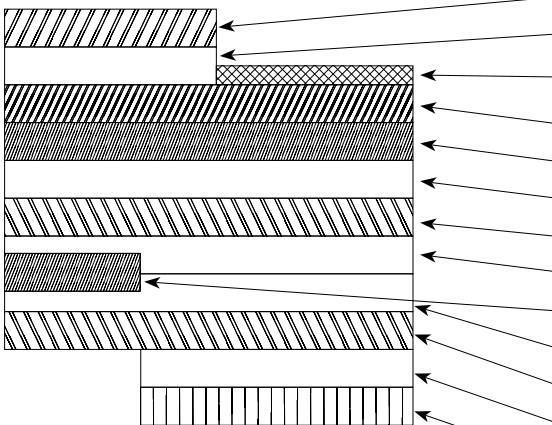
1. Using Single-sided FPC



FPC : Flexible Printed Circuit

| Material Name | Material | Material Thickness (μm) |
|---------------------------------|---|-------------------------|
| Covering film layer | Polyimide 1 mil thick | (25) |
| Cover adhesive | | (25) |
| Surface treatment | 0.2μm thick gold plated over 1 to 5μm thick nickel underplating | 3 |
| Copper foil | Cu 1oz | 35 |
| Base adhesive | Thermosetting adhesive | 25 |
| Base film | Polyimide 1 mil thick | 25 |
| Reinforcement material adhesive | Thermosetting adhesive | 35 |
| Stiffener | Polyimide 7 mil thick | 175 |
| Total | | 298 |

2. Using Double-sided FPC

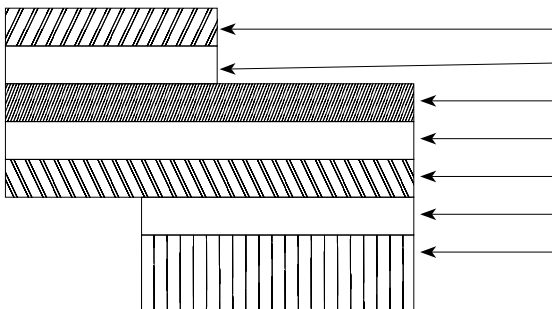


FPC : Flexible Printed Circuit

| Material Name | Material | Material Thickness (μm) |
|---------------------------------|---|-------------------------|
| Covering layer film | Polyimide 1 mil thick | (25) |
| Cover adhesive | | (25) |
| Surface treatment | 0.2μm thick gold plated over 1 to 5μm thick nickel underplating | 3 |
| Through-hole copper | Cu | 15 |
| Copper foil | Cu 1/2oz | 18 |
| Base adhesive | Thermosetting adhesive | 18 |
| Base film | Polyimide 1 mil thick | 25 |
| Base adhesive | | 18 |
| Copper foil | Cu 1/2oz | (18) |
| Cover adhesive | Thermosetting adhesive | 25 |
| Covering film layer | Polyimide 1 mil thick | 25 |
| Reinforcement material adhesive | Thermosetting adhesive | 50 |
| Stiffener | Polyimide 4 mil thick | 100 |
| Total | | 297 |

* To prevent release of the FPC due to its bending, use of the double sided FPC with copper foil on the back side is not recommended.

3. Using FFC



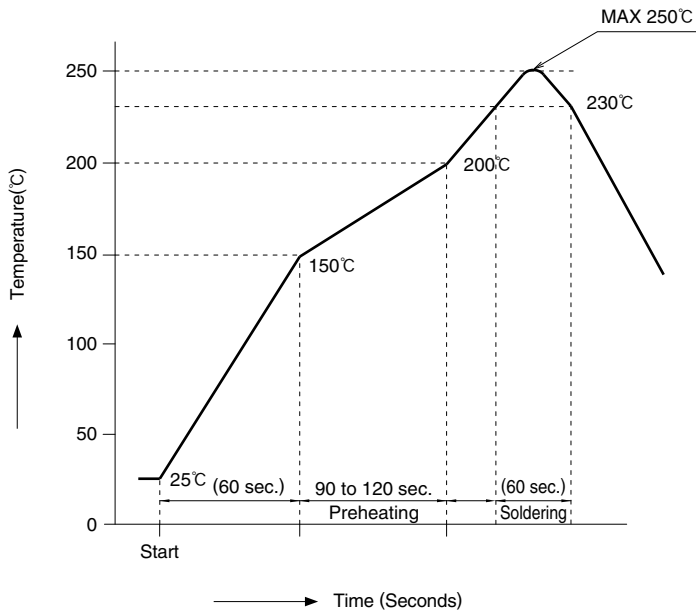
FFC : Flexible Flat Cable

| Material Name | Material | Material Thickness (μm) |
|----------------------------------|-------------------------|-------------------------|
| Polyester film | | (12) |
| Adhesive | Thermoplastic polyester | (30) |
| Gold plated annealed copper foil | | 35 |
| Adhesive | Polyester | 30 |
| Polyester | | 12 |
| Adhesive | Polyester | 30 |
| Stiffener | Polyester | 188 |
| Total | | 295 |

* tolerance of ±20μm.

1. This specification is a recommendation for the construction of the FH34SRJ/FH34D Series FPC and FFC (t=0.3 ± 0.03).
2. For details about the construction, please contact the FPC/FFC manufacturers.

◆ Temperature Profile



HRS test condition

Solder method : Reflow, IR/hot air
 Environment : Room air
 Solder composition : Paste, 96.5%Sn/3.0%Ag/0.5%Cu
 (Senju Metal Industry, Co., Ltd.'s Part
 Number:
 M705-221CM5-42-10.5)
 Test board : Glass epoxy
 18.3mm×32.85mm×0.8mm thick
 Land dimensions : 0.3mm×0.8mm
 Metal mask : 0.25×0.65×0.1mm thick

The temperature profiles shown are based on the above conditions.

In individual applications the actual temperature may vary, depending on solder paste type, volume / thickness and board size / thickness. Consult your solder paste and equipment manufacturer for specific recommendations.

Operation and Precautions

Exercise care when handling connectors. Follow recommendations given below.

Operation

Caution : Handle connectors carefully, as they are very small and thin.

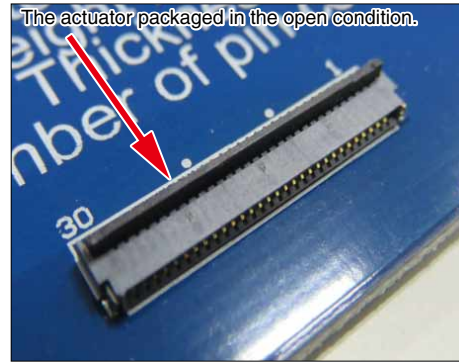
Please refer to this section for verification of the following points:

1. As delivered

- Delivered with the actuator open. There is no need to operate the actuator prior to inserting the FPC/FFC.

[Precautions]

- Do not close the actuator without the FPC/FFC inserted.

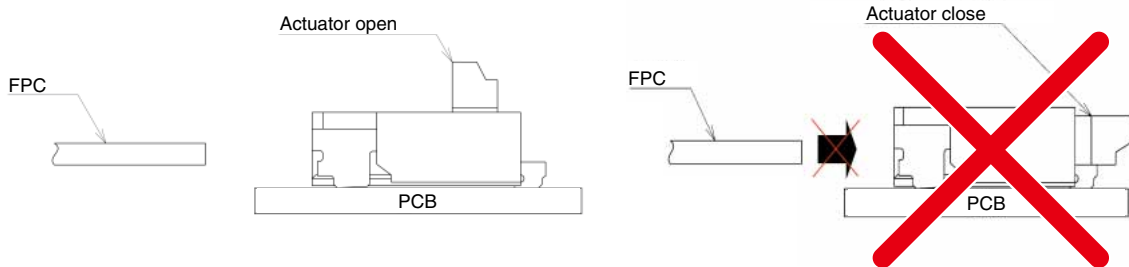


2. FPC/FFC insertion

- Be sure that the FPC is parallel to the surface of the PCB, then completely insert into the connector.

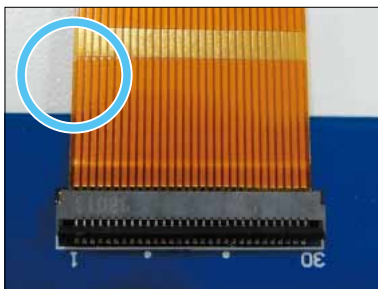
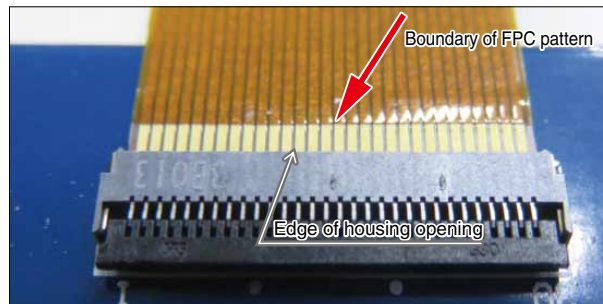
[Caution]

- Do not attempt to insert the FPC if actuator is closed.
- If the actuator is closed and if the FPC is twisted during insertion, it can cause contact deformation and / or contact failure.



3. FPC/FFC insertion (The top contact specification)

- Insert the FPC/FFC with the conductive surfaces facing up. Align the FPC/FFC straight with the connector and insert it firmly all the way.



Proper insertion



Skewed insertion



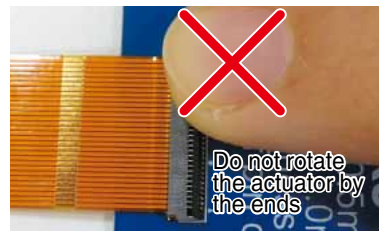
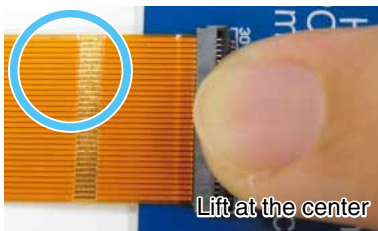
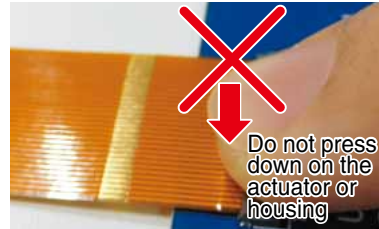
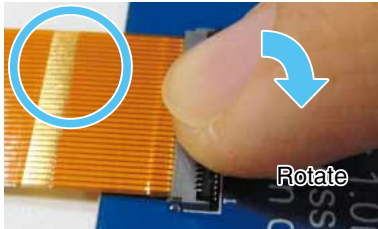
Shallow insertion

Operation and Precautions

Operation

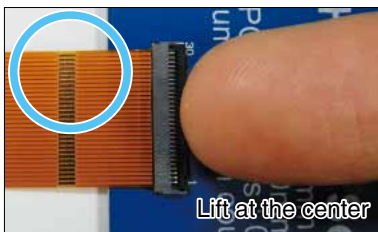
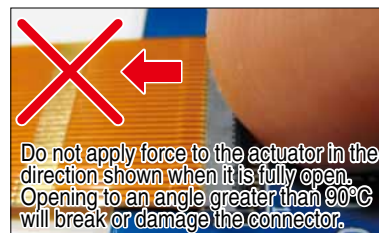
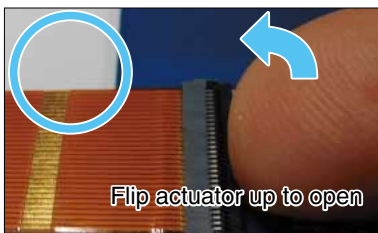
4. Locking

- After FPC/FFC insertion, rotate the actuator down to a full stop, pushing it at the center.



5. FPC/FFC removal (Lock release)

- Carefully rotate the actuator up to 90°, lifting it at the center.



* This connector uses a back flip type structure. The insert direction of the FPC and the actuator are different from front flip type connectors.
Do not try to open the actuator from the FPC side.

◆ Operation and Precautions

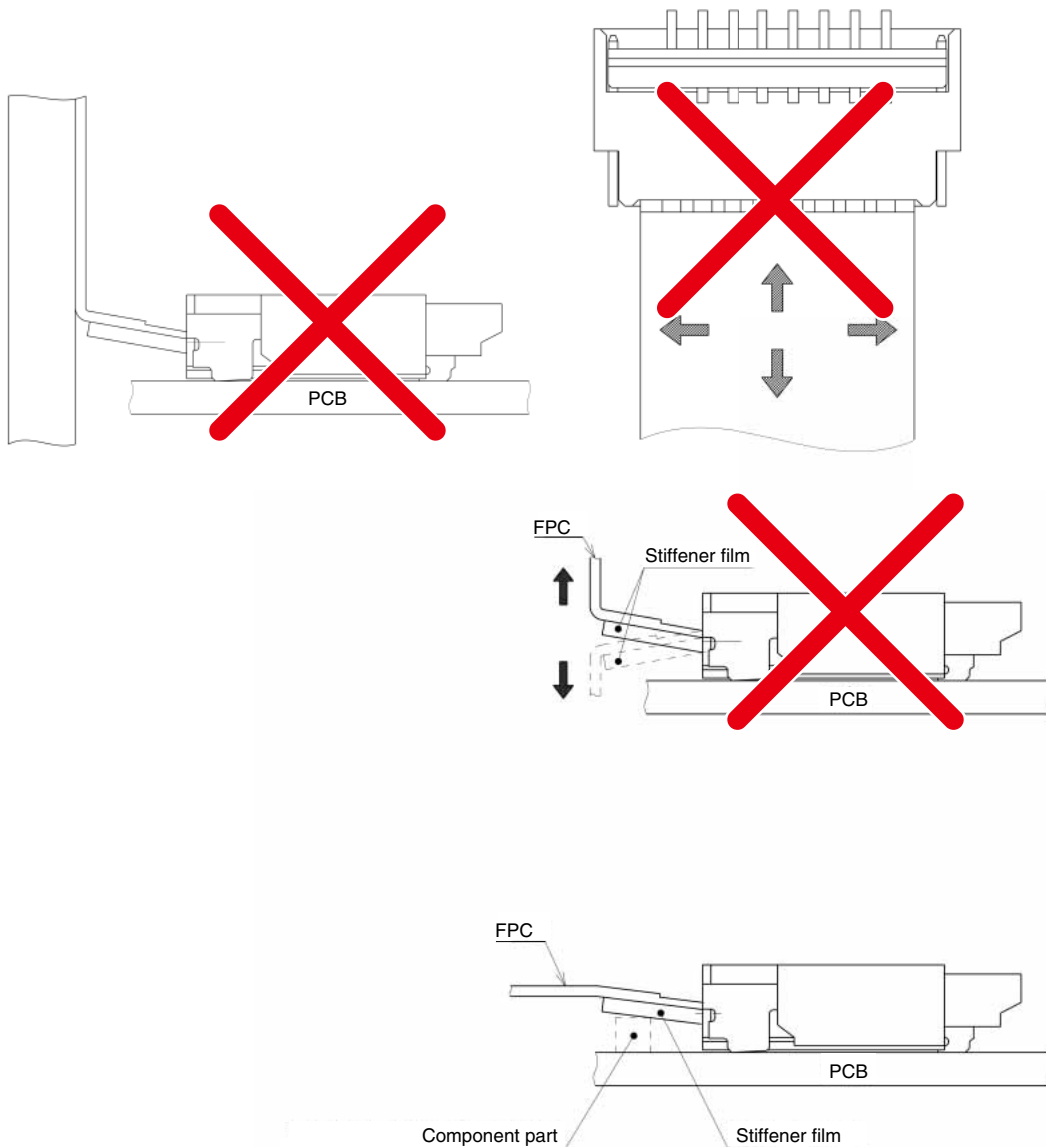
Operation

6. FPC routing

- ① FPC should be routed in a manner that no strain or load is exerted onto the FPC. Placing any strain on the FPC may result in unintentional disconnect or damage to the FPC, which can lead to issues such as contact failure.

[Caution]

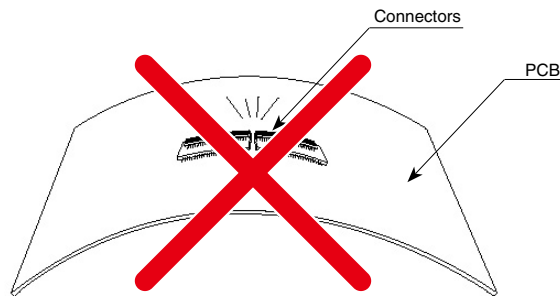
- Do not allow the FPC or stiffener to touch the casings, housings or any other items.
- When routing the FPC, make sure that no strain or load is applied to the connector in a pulling, pushing or side-to-side motion. Additionally, make sure that no excessive upward or downward force is applied to the connector.
- When routing the FPC, make sure that there is a stress free path for the FPC and the stiffener is parallel to the PCB. Observe correct bend radiuses.
- Do not place or mount any parts that will interfere with the FPC routing.



◆ Operation and Precautions

Precautions when mounting connectors on the PCB

- ◆ Handling before mounting on PCB
Insertion of the FPC/FFC or operation of the actuator prior to mounting on the PCB is not recommended.
- ◆ PC board warpage
Minimize the warpage as much as possible. The connector are straight within 0.1 mm max. Make sure that the mounting area flatness can accept the connector terminals without causing any failure of the solder joints.
- ◆ Forces on the board
- ◆ When braking the large PC board into individual boards exercise care not to damage the installed connectors.
- ◆ When attaching the boards or other components with the screws make sure that any stresses will not cause board deflections affecting the mounting areas of the connector.



- ◆ When hand soldering:
 - Do not perform hand soldering with the FPC inserted in the connector.
 - * Do not apply excessive heat or touch the soldering iron anywhere other than the connector leads.
 - * Do not use excessive amount of solder or flux compounds.
 Operation of the actuator or contacts may be affected by excessive amounts of solder or flux compounds.

MEMO :

A series of horizontal dashed lines for writing a memo.

USA:

HIROSE ELECTRIC (U.S.A.), INC. HEADQUARTERS CHICAGO OFFICE
 2300 Warrenville Road, Suite 150,
 Downers Grove, IL 60515
 Phone : +1-630-282-6700
<http://www.hirose.com/us/>

USA:

HIROSE ELECTRIC (U.S.A.), INC. SAN JOSE OFFICE
 2841 Junction Ave, Suite 200
 San Jose, CA. 95134
 Phone : +1-408-253-9640
 Fax : +1-408-253-9641
<http://www.hirose.com/us/>

USA:

HIROSE ELECTRIC (U.S.A.), INC. DETROIT OFFICE (AUTOMOTIVE)
 17197 N. Laurel Park Drive, Suite 253,
 Livonia, MI 48152
 Phone : +1-734-542-9963
 Fax : +1-734-542-9964
<http://www.hirose.com/us/>

USA:

HIROSE ELECTRIC (U.S.A.), INC. BOSTON OFFICE
 300 Brickstone Square Suite 201,
 Andover, MA 01810
 Phone : +1-978-662-5255

THE NETHERLANDS:

HIROSE ELECTRIC EUROPE B.V.
 Hogehillweg #8 1101 CC Amsterdam Z-0
 Phone : +31-20-6557460
 Fax : +31-20-6557469
<http://www.hirose.com/eu/>

GERMANY:

HIROSE ELECTRIC EUROPE B.V. GERMAN BRANCH
 Schoenbergstr. 20, 73760 ostfildern
 Phone : +49-711-456002-1
 Fax : +49-711-456002-299
<http://www.hirose.com/eu/>

GERMANY:

HIROSE ELECTRIC EUROPE B.V. NUREMBERG OFFICE
 Neumeyerstrasse 22-26, 90411 Nurnberg
 Phone : +49-911 32 68 89 63
 Fax : +49-911 32 68 89 69
<http://www.hirose.com/eu/>

GERMANY:

HIROSE ELECTRIC EUROPE B.V. HANOVER OFFICE
 Bayernstr. 3, Haus C 30855 Langenhagen, Germany
 Phone : +49-511 97 82 61 30
 Fax : +49-511 97 82 61 35
<http://www.hirose.com/eu/>

FRANCE:

HIROSE ELECTRIC EUROPE B.V. PARIS OFFICE
 130 Avenue Joseph Kessel, Bat E, 78960
 Voisins le Bretonneux, France
 Phone : +33-1-85764886
 Fax : +33-1-85764823
<http://www.hirose.com/eu/>

UNITED KINGDOM:

HIROSE ELECTRIC EUROPE BV (UK BRANCH)
 4 Newton Court, Kelvin Drive, Knowlhill,
 Milton Keynes, MK5 8NH
 Phone : +44-1908 202050
 Fax : +44-1908 202058
<http://www.hirose.com/eu/>

CHINA:

HIROSE ELECTRIC (CHINA) CO., LTD. (SHANGHAI, HEADQUARTERS)
 18, Enterprise Center Tower 2, 209# Gong He
 Road, Jing'an District, Shanghai, CHINA 200070
 Phone : +86-21-6391-3355
 Fax : +86-21-6391-3335
<http://www.hirose.com/cn/>

CHINA:

HIROSE ELECTRIC (CHINA) CO.,LTD. BEIJING BRANCH
 A1001, Ocean International Center, Building 56# East 4th
 Ring Middle Road, ChaoYang District, Beijing, 100025
 Phone : +86-10-5165-9332
 Fax : +86-10-5908-1381
<http://www.hirose.com/cn/>

CHINA:

HIROSE ELECTRIC (CHINA) CO., LTD. SHENZHEN BRANCH
 Room 09-13, 19/F, Office Tower Shun Hing Square, Di Wang Commercial Centre,
 5002 Shen Nan Dong Road, Shenzhen City, Guangdong Province, 518008
 Phone : +86-755-8207-0851
 Fax : +86-755-8207-0873
<http://www.hirose.com/cn/>

HONG KONG:

HIROSE ELECTRIC HONGKONG TRADING CO., LTD.
 Room 1001, West Wing, Tsim Sha Tsui Centre, 66
 Mody Road, Tsim Sha Tsui East, Kowloon, Hong Kong
 Phone : +852-2803-5338
 Fax : +852-2591-6560
<http://www.hirose.com/hk/>

TAIWAN:

HIROSE ELECTRIC TAIWAN CO., LTD.
 103 8F, No.87, Zhengzhou Rd., Taipei
 Phone : +886-2-2555-7377
 Fax : +886-2-2555-7355
<http://www.hirose.com/tw/>

KOREA:

HIROSE KOREA CO.,LTD.
 143, Gongdan 1-daero, Siheung-si,
 Gyeonggi-do, 15084, Korea
 Phone : +82-31-496-7000
 Fax : +82-31-496-7100
<http://www.hirose.co.kr/>

SINGAPORE:

HIROSE ELECTRIC SINGAPORE PTE. LTD.
 03, Anson Road, #20-01, Springleaf Tower,
 Singapore 079909
 Phone : +65-6324-6113
 Fax : +65-6324-6123
<http://www.hirose.com/sg/>

INDIA:

HIROSE ELECTRIC SINGAPORE PTE. LTD. DELHI LIAISON OFFICE
 Office NO.552, Regus-Green Boulevard, Level5, Tower C,
 Sec62, Plot B-9A, Block B, Noida, 201301, Uttar Pradesh, India
 Phone : +91-12-660-8018
 Fax : +91-120-4804949
<http://www.hirose.com/sg/>

INDIA:

HIROSE ELECTRIC SINGAPORE PTE. LTD. BANGALORE LIAISON OFFICE
 Unit No-403, 4th Floor, No-84, Barton Centre, Mahatma
 Gandhi (MG) Road, Bangalore 560 001, Karnataka, India
 Phone : +91-80-4120 1907
 Fax : +91-80-4120 9908
<http://www.hirose.com/sg/>

MALAYSIA:

PENANG REPRESENTATIVE OFFICE
 73-3-1, Ideal@The One, Jalan Mahsuri, Bayan
 Lepas Penang, 11950, Malaysia
 Phone : +604-648-5536
<http://www.hirose.com/sg/>

THAILAND:

BANGKOK OFFICE (REPRESENTATIVE OFFICE)
 Unit 4703, 47th FL., 1 Empire Tower, South Sathorn
 Road, Yannawa, Sathorn, Bangkok 10120 Thailand
 Phone : +66-2-686-1255
 Fax : +66-2-686-3433
<http://www.hirose.com/sg/>



HIROSE ELECTRIC CO.,LTD.

2-6-3,Nakagawa Chuoh,Tsuzuki-Ku,Yokohama-Shi 224-8540,JAPAN
 TEL: +81-45-620-3526 Fax: +81-45-591-3726
<http://www.hirose.com>
<http://www.hirose-connectors.com>