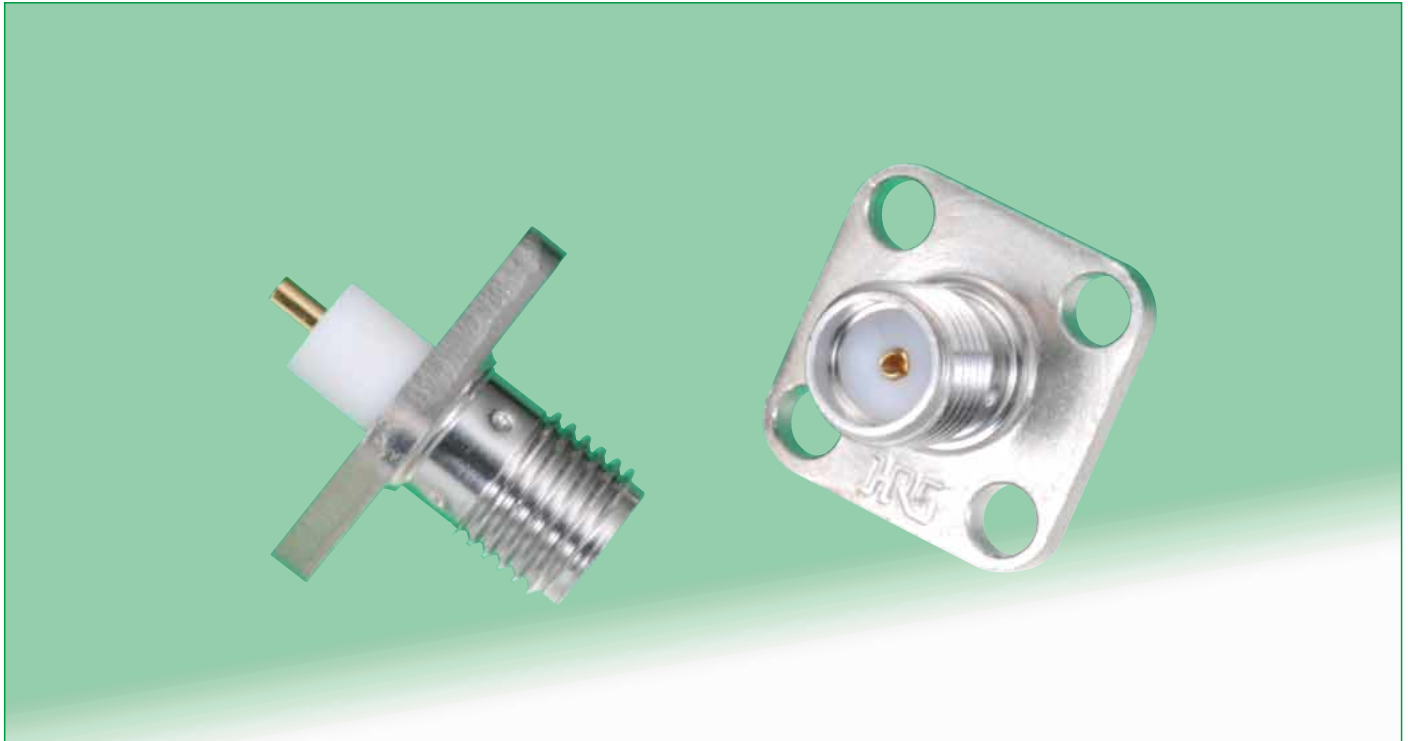


NEW

Low-Cost SMA Coaxial Connectors (Version 2)

HRM(V) Series



■ Features

1. Reduced cost

A change in the manufacturing methods makes the connectors more economical to use.

2. Complete compatibility with SMA Coaxial Connectors

3. High degree of impedance matching

V.S.W.R. of 1.2 max. for frequencies of DC to 10 GHz
V.S.W.R. of 1.3 max. for frequencies of 10 to 18 GHz

4. High durability

500 mating /un-mating cycles, with corresponding connector.

5. RoHS compliant

All components and materials comply with the requirements of EU Directive 2002/95/EC.

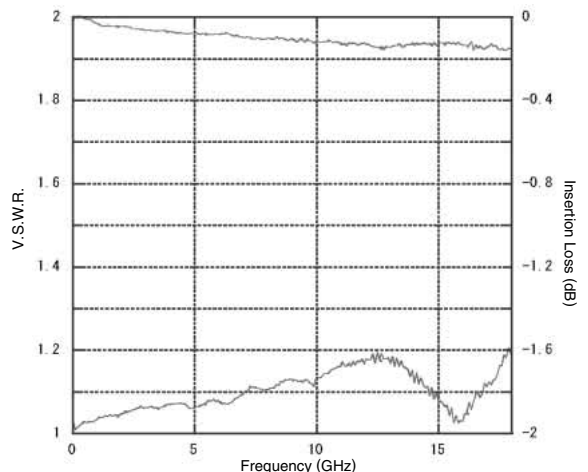
■ Applications

Mobile communications base stations, microwave equipment, measuring instrumentation and other applications requiring use of reliable coaxial connections with SMA connectors.

● Typical Data

Measurement system

HRM(V) Series	Measurement Adapter
---------------	---------------------



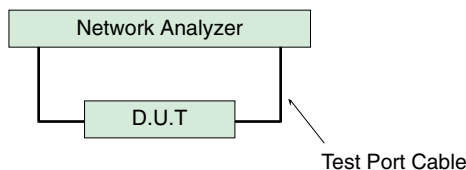
■ Specifications

Ratings	Nominal characteristic impedance	50Ω	Operating temperature range	-55°C to +85°C
	Frequency range	DC to 18 GHz	Operating relative humidity	95% max.

Item	Specification	Conditions
1. Insulation resistance	5000M Ω min.	500V DC
2. Withstanding voltage	No flashover or insulation breakdown	1,000 V AC / 1 minute
3. Contact resistance	Center contact: 6 mΩ max. Outer shell: 6 mΩ max.	100 mA max.
4. Center contact retention	0.3 N min.	Measured with 0.9017 mm dia. pin gauge
5. V.S.W.R.*	1.2 max. 1.3 max.	DC to 10 GHz 10 to 18 GHz
6. Vibration	No electrical discontinuity of 1 μs or longer No damage, cracks, or parts dislocation	Frequency: 10 to 2,000 Hz, single amplitude of 0.75 mm, acceleration of 196 m/s ² , 4 hours in each of the 3 directions
7. Moisture resistance	Insulation resistance: 100 MΩ min. (high humidity) Insulation resistance: 5,000 MΩ min. (dry) No damage, cracks, or parts dislocation	10 cycles (240 hours) at a temperature of +25 to +65°C, and humidity of 90 to 98%
8. Temperature cycle	Contact resistance Center contact: 8 mΩ max. Outer shell: 8 mΩ max. No damage, cracks, or parts looseness	Temperature: -55°C → +5°C to +35°C → +85°C → +5°C to +35°C Time: 30 min. → 5 min. → 30 min. → 5 min. 5 cycles
9. Durability	Contact resistance Center contact: 8 mΩ max. Outer shell: 8 mΩ max. No damage, cracks, or parts dislocation	500 cycles
10. Salt spray	No corrosion	5% salt water solution, 48 hours

*V.S.W.R. Measurement System

Measured as shown on the block diagram below.



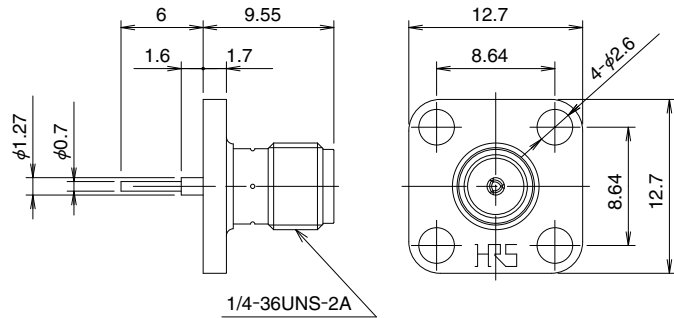
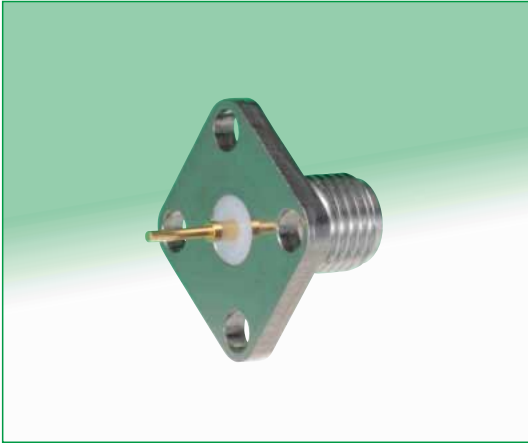
Note 1: Board connectors were measured while mounted to a dedicated adapter.

■ Materials / Finishes

● Receptacle

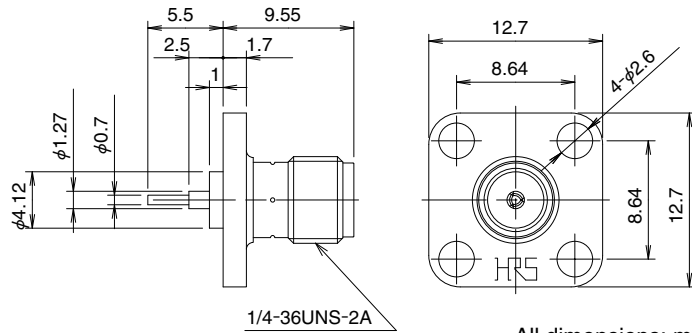
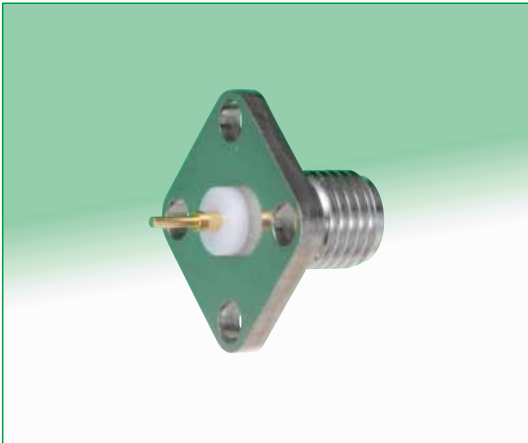
Part	Material	Finish
Shell	Stainless steel	Passivated
Female center contact	Beryllium copper	Gold plated
Center contact	Brass	Gold plated
Insulator	PTFE	—

Receptacles



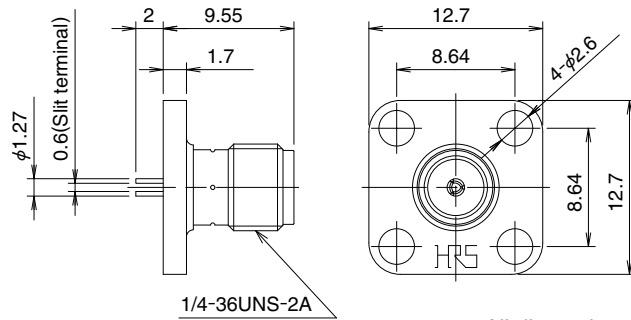
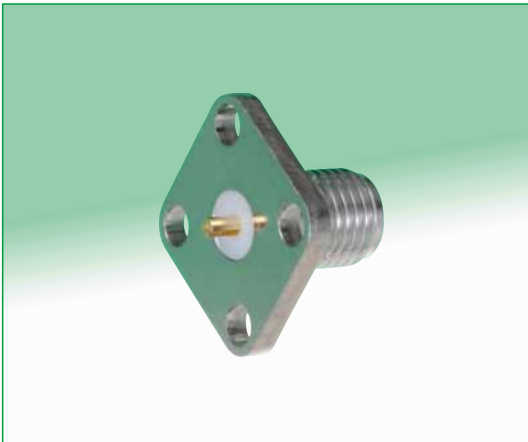
All dimensions: mm

Part Number	CL No.	RoHS
HRM(V)-301S	323-0884-5	YES



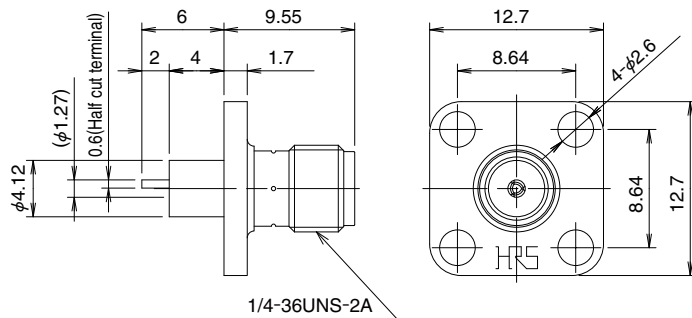
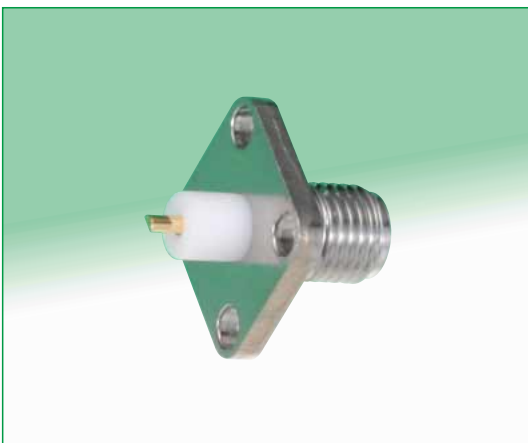
All dimensions: mm

Part Number	CL No.	RoHS
HRM(V)-302S	323-0885-8	YES



All dimensions: mm

Part Number	CL No.	RoHS
HRM(V)-304S	323-0886-0	YES



All dimensions: mm

Part Number	CL No.	RoHS
HRM(V)-306S	323-0879-5	YES

USA:

HIROSE ELECTRIC (U.S.A.), INC. Headquarters
 2688 Westhills Court, Simi Valley, CA 93065-6235
 Phone : 1-805-522-7958
 Fax : 1-805-522-3217
<http://www.hiroseusa.com>

USA:

HIROSE ELECTRIC (U.S.A.), INC. North California Office
 20400 Stevens Creek Blvd., Ste 250, Cupertino, CA 95014
 Phone : 1-408-253-9640
 Fax : 1-408-253-9641
<http://www.hiroseusa.com>

USA:

HIROSE ELECTRIC (U.S.A.), INC. Dallas Office
 1701 N. Greenville Ave. Ste 817, Richardson, TX 75081
 Phone : 1-469-330-9200
 Fax : 1-469-330-9205
<http://www.hiroseusa.com>

USA:

HIROSE ELECTRIC (U.S.A.), INC. Chicago Office
 2777 Finley Road, Suite 28 Downers Grove, IL 60148
 Phone : 1-630-916-1455
 Fax : 1-630-916-1451
<http://www.hiroseusa.com>

USA:

HIROSE ELECTRIC (U.S.A.), INC. New York Office
 510 Broadhollow Road, Suite 305, Melville, NY 11747
 Phone : 1-516-249-5259
<http://www.hiroseusa.com>

USA:

HIROSE ELECTRIC (U.S.A.), INC. Detroit Office (Automotive)
 37650 Professional Center Drive, Suite 120A, Livonia, MI 48154
 Phone : 1-734-542-9963
 Fax : 1-734-542-9964
<http://www.hiroseusa.com>

GERMANY:

HIROSE ELECTRIC GmbH
 Herzog-Carl-Strasse 4 D-73760 Ostfildern (Scharnhäuser Park)
 Phone : 49-711-4560-02-1
 Fax : 49-711-4560-02-299
<http://www.hirose.de>

THE NETHERLANDS:

HIROSE ELECTRIC EUROPE B.V.
 Beechavenue 46,1119 PV Schiphol-Rijk
 Phone : 31-20-6557490
 Fax : 31-20-6557469
<http://www.hiroseeurope.com>

FINLAND:

Hirose Electric Europe B.V. Finland Office
 Teknobulevardi 3-5 01530 VANTAA
 Phone : 358-9-2517-8459
 Fax : 358-9-2517-8460
<http://www.hiroseeurope.com>

UNITED KINGDOM:

HIROSE ELECTRIC UK LTD.
 Crownhill Business Centre 22 Vincent Avenue Crownhill, Milton Keynes MK8 OAB
 Phone : 44-1908-305400
 Fax : 44-1908-305401
<http://www.hirose.co.uk>

CHINA:

HIROSE ELECTRIC CO., LTD. Beijing Office
 Unit 1605, Block A, ZhuBang2000 BusinessCenter, No.100, Balizhuang Xili, Chaoyang District, Beijing, 10025
 Phone : 86-10-5165-9332
 Fax : 86-10-8586-1418
<http://www.hirose-china.com.cn>

CHINA:

HIROSE ELECTRIC (SHANGHAI) CO., LTD.
 1501-02, Cross Tower Building 318 Fuzhou Road, Huang Pu District Shanghai, 200001
 Phone : 86-21-6391-3355
 Fax : 86-21-6391-3335
<http://www.hirose-china.com.cn>

CHINA:

HIROSE ELECTRIC CO., LTD. Shenzhen Office
 Room 1902-05, Office Tower Shun Hing Square, DiWang Commercial Centre 5002 ShenNanDong Road, ShenZhen
 Phone : 86-755-8207-0851
 Fax : 86-755-8207-0873
<http://www.hirose-china.com.cn>

HONG KONG:

HIROSE ELECTRIC CO., LTD.
 Unit 1102, Energy Plaza, 92 Granville Road, Tsim Sha Tsui East, Kowloon
 Phone : 852-2803-5338
 Fax : 852-2591-6560
<http://www.hirose-hongkong.com.hk>

TAIWAN:

HIROSE ELECTRIC TAIWAN CO., LTD.
 No.28 Lane 247 Sec. 2 Yen Ping N,Rd.Taipei
 Phone : 886-2-2557-7351,7352
 Fax : 886-2-2552-9851
<http://www.hirose-taiwan.com.tw>

SINGAPORE:

HIROSE ELECTRIC CO., LTD.
 10 Anson Road #26-16 International Plaza 079903
 Phone : 65-6324-6113
 Fax : 65-6324-6123
<http://www.hirose-singapore.com.sg>

KOREA:

HIROSE KOREA CO., LTD.
 (#2NA311,Shihwa Industrial Complex),1261-10, Jeungwhang-Dong, Shihung-City, Kyunggi-Do 429-450
 Phone : 82-31-496-7000,7124
 Fax : 82-31-496-7100
<http://www.hirose.co.kr>



HIROSE ELECTRIC CO.,LTD.

5-23,OSAKI 5-CHOME,SHINAGAWA-KU,TOKYO 141-8587,JAPAN
 PHONE: 81-3-3491-9741, FAX: 81-3-3493-2933
<http://www.hirose.com>
<http://www.hirose-connectors.com>