

SIGN	DATE	DESCRIPTION	APPROVER
△	02/08'07	Part No. is changed.	Aaron
△	06/10'09	The wire strip length changed from 6~7mm to 7~8mm.	Kind
△	06/10'09	The Operating tem. changed from -30°C~105°C to -40°C~115°C	Kind
△	06/10'09	Add the toleration table.	Kind
△	11/21'09	The normal grey No. changed from RAL7004/P to RAL7035/D	Kind
△	03/13'10	Add the 2P mark and Wire strip length is changed	RUNNER

THIS IS CAD DRAWING, DO NOT REVISE MANUALLY!!!

Material

- Item 1 Terminal body:Thermoplastic (UL94V-0)
- Item 2 Terminal body:Thermoplastic (UL94V-0)
- Item 3 Terminal lever:Thermoplastic (UL94V-0)
- Item 4 Wire guard:Stainless Steel
- Item 5 Female contact :PhBz (CuSn) Tin plated

Electrical cULus

- Voltage rating: 300V
- Current rating: 10A
- Solid wire(AWG):12-26
- Stranded wire(AWG):12-26
- Wire strip length:8-9mm
- Withstanding Voltage:1.6KV
- Operating temperature:-40°C to +115°C
- Safety Approval:



PART NO.

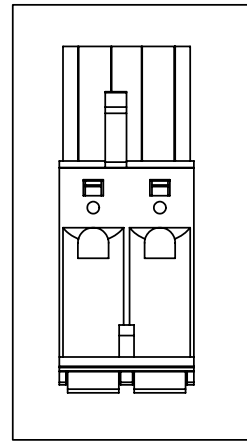
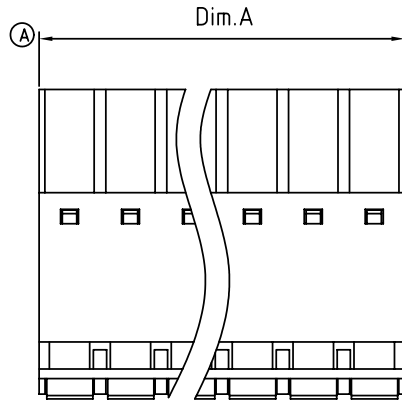
HW xx 50 x 0 xxxx G △

Poles
02 2 CONTACTS
03 3 CONTACTS
... ..
24 24 CONTACTS

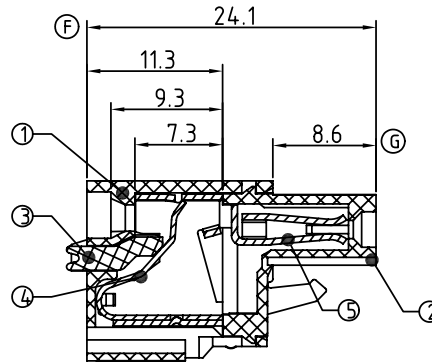
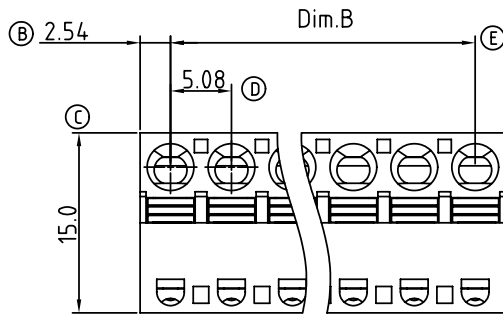
Color
0 Black
5 Green
(RAL 6018/T)
6 Blue
△ 8 Grey
(RAL 7035/D)

RoHS
Pb<40,000ppm

0000 Standard @ Logo
000A Standard ANY Logo
Any special item by customer request,
please contact sales department.



2P mark



POLE	2	3	4	5	6	7	8	9	10	11	12	
A	10.16	15.24	20.32	25.40	30.48	35.56	40.64	45.72	50.80	55.88	60.96	
B	5.08	10.16	15.24	20.32	25.40	30.48	35.56	40.64	45.72	50.80	55.88	
Tol.	±0.15					±0.25						
POLE	13	14	15	16	17	18	19	20	21	22	23	24
A	66.04	71.12	76.20	81.28	86.36	91.44	96.52	101.60	106.68	111.76	116.84	121.92
B	60.96	66.04	71.12	76.20	81.28	86.36	91.44	96.52	101.60	106.68	111.76	116.84
Tol.	±0.30						±0.40					

ANYTEK				CUSTOMER COPY			
TITLE	HW-5.08 Series Contact on down side						
PART NO.	HWxx50x0xxxxG			DWG NO.	8HW0001		
APPROVED	CHECKED	DESIGNED	DRAWN	CUST NO.	Tolerance		
		Runner 2010.04.06	Kind 2009.06.30				
					UNIT: mm	X.	±0.50
					SCALE: NONE	X.X	±0.30
						X.XX	±0.10
						X°	±1°

Mouser Electronics

Authorized Distributor

Click to View Pricing, Inventory, Delivery & Lifecycle Information:

Amphenol:

[HW0250500000G](#) [HW0350500000G](#) [HW0450500000G](#) [HW0550500000G](#) [HW0650500000G](#) [HW0750500000G](#)
[HW0850500000G](#) [HW0950500000G](#) [HW1050500000G](#) [HW1150500000G](#) [HW1250500000G](#) [HW1350500000G](#)
[HW1450500000G](#) [HW1550500000G](#) [HW1650500000G](#) [HW1750500000G](#) [HW1850500000G](#) [HW1950500000G](#)
[HW2050500000G](#) [HW2150500000G](#) [HW2250500000G](#) [HW2350500000G](#) [HW2450500000G](#) [HW0250000000G](#)
[HW0250800000G](#) [HW0350000000G](#) [HW0350800000G](#) [HW0450000000G](#) [HW0450800000G](#) [HW0550000000G](#)
[HW0550800000G](#) [HW0650000000G](#) [HW0650800000G](#) [HW0750000000G](#) [HW0750800000G](#) [HW0850000000G](#)
[HW0850800000G](#) [HW0950000000G](#) [HW0950800000G](#) [HW1050000000G](#) [HW1050800000G](#) [HW1150000000G](#)
[HW1150800000G](#) [HW1250000000G](#) [HW1250800000G](#) [HW1350000000G](#) [HW1350800000G](#) [HW1450000000G](#)
[HW1450800000G](#) [HW1550000000G](#) [HW1550800000G](#) [HW1650000000G](#) [HW1650800000G](#) [HW1750000000G](#)
[HW1750800000G](#) [HW1850000000G](#) [HW1850800000G](#) [HW1950000000G](#) [HW1950800000G](#) [HW2050000000G](#)
[HW2050800000G](#) [HW2150000000G](#) [HW2150800000G](#) [HW2250000000G](#) [HW2350000000G](#) [HW2250800000G](#)
[HW2450000000G](#) [HW2450800000G](#) [HW2350800000G](#)