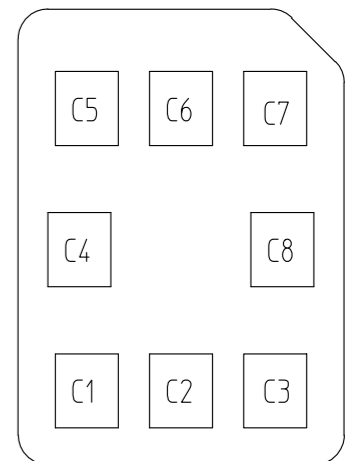
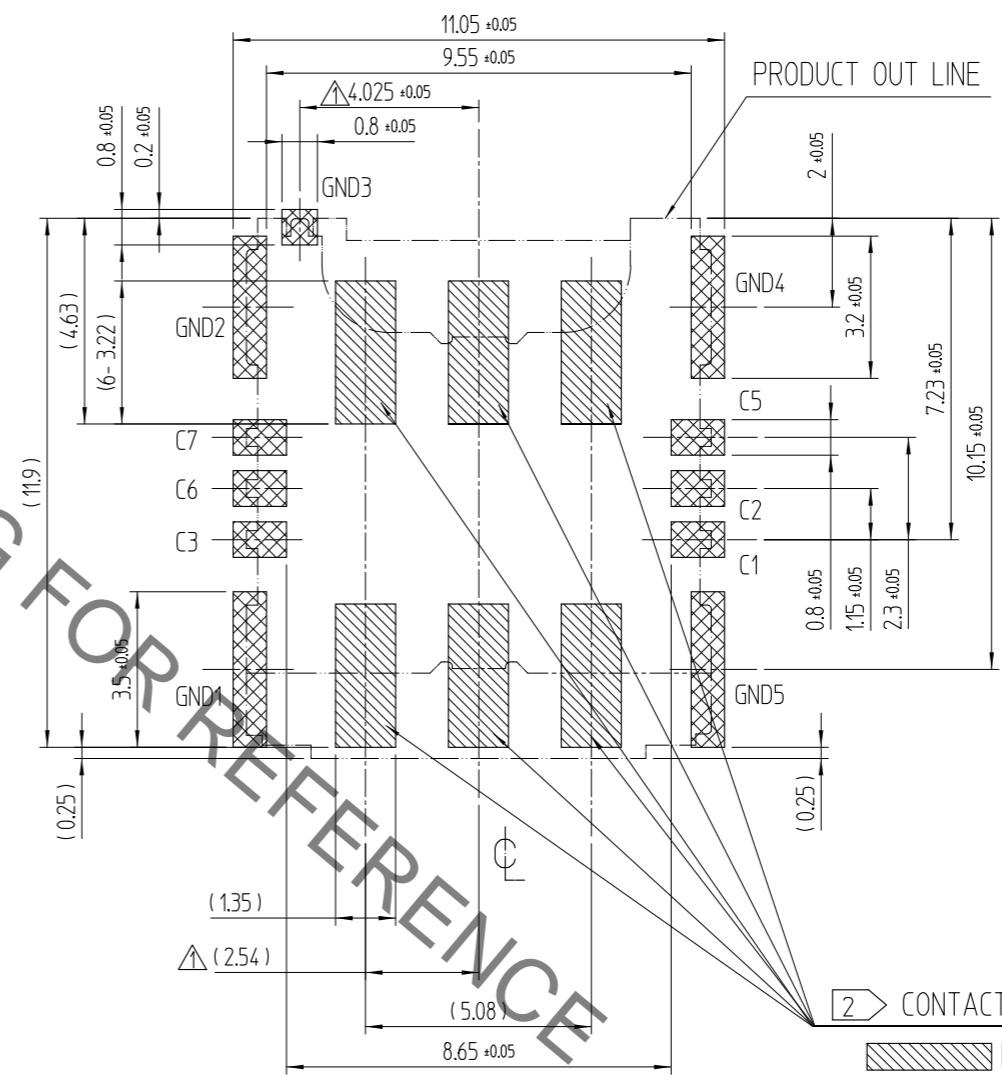
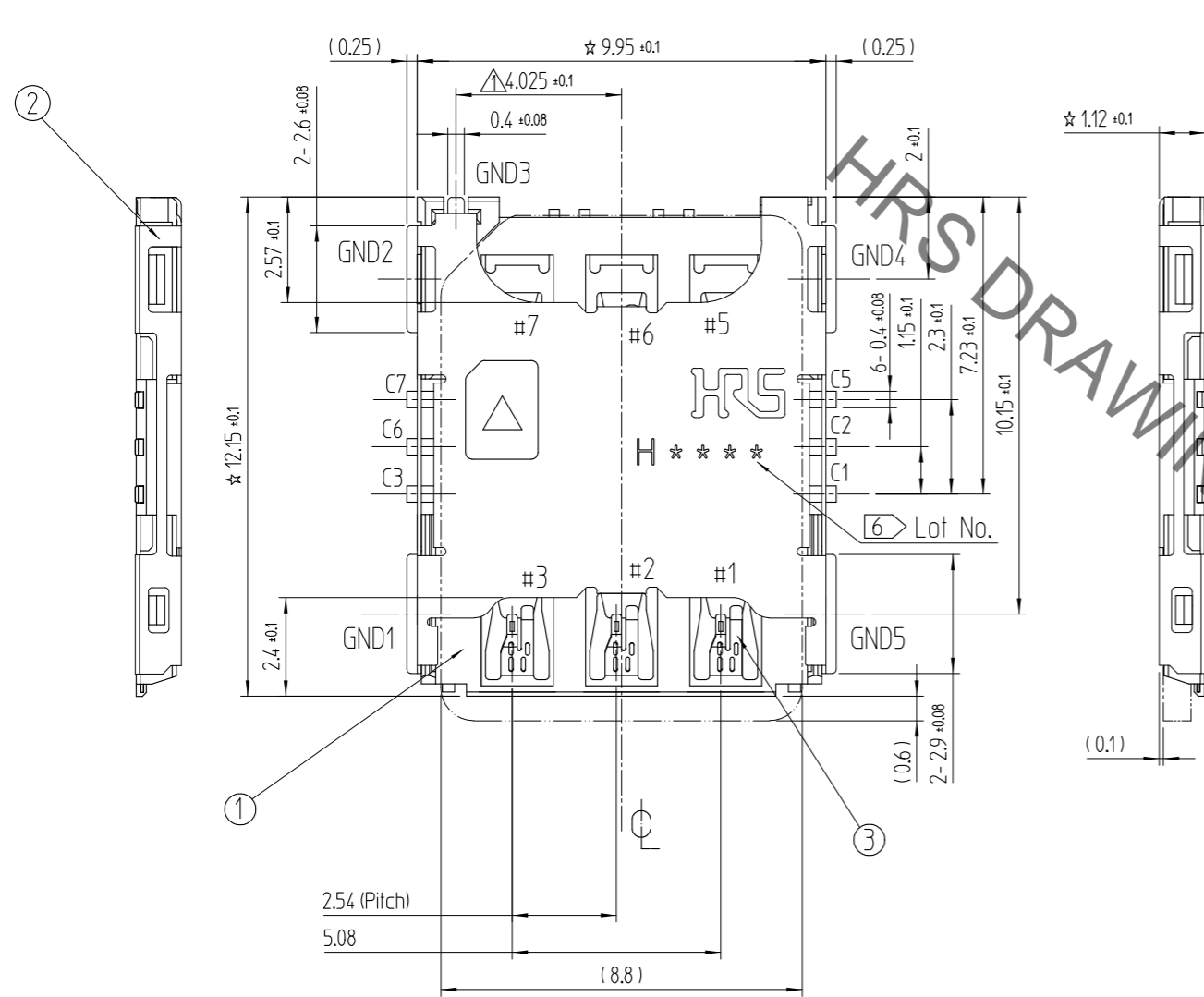


Jan.1.2022 Copyright 2022 HIROSE ELECTRIC CO., LTD. All Rights Reserved.
In case of consideration for using Automotive equipment / device which demand high reliability, kindly contact our sales window correspondents.

REFERENCE DRAWING

△數 COUNT	訂正事項 DISCRPTION OF REVISIONS	擔當 B Y	檢圖 CHKD	年月日 DATE	△數 COUNT	訂正事項 DISCRPTION OF REVISIONS	擔當 B Y	檢圖 CHKD	年月日 DATE
7	RE-5-1589	N.J.W	A.B.H	17. 02. 27					
2	RE-5-2373	P.J.H	A.B.H	20. 04. 24					

- △△ 1. CO-PLANARITY SHALL BE 0.1mm MAX
- ② NO PATTERNS PERMITTED IN THIS OBLIQUE - HATCHED AREA
- ③ SOLDER AREA - CROSS HATCHED AREA
- 4 PRODUCT SHALL NOT EXPOSE FROM THE PCB



NANO SIM CARD PAD LAY OUT

PIN No.	Name
C1	Vcc
C2	RST
C3	CLK
C5	GND
C6	Vpp
C7	I/O

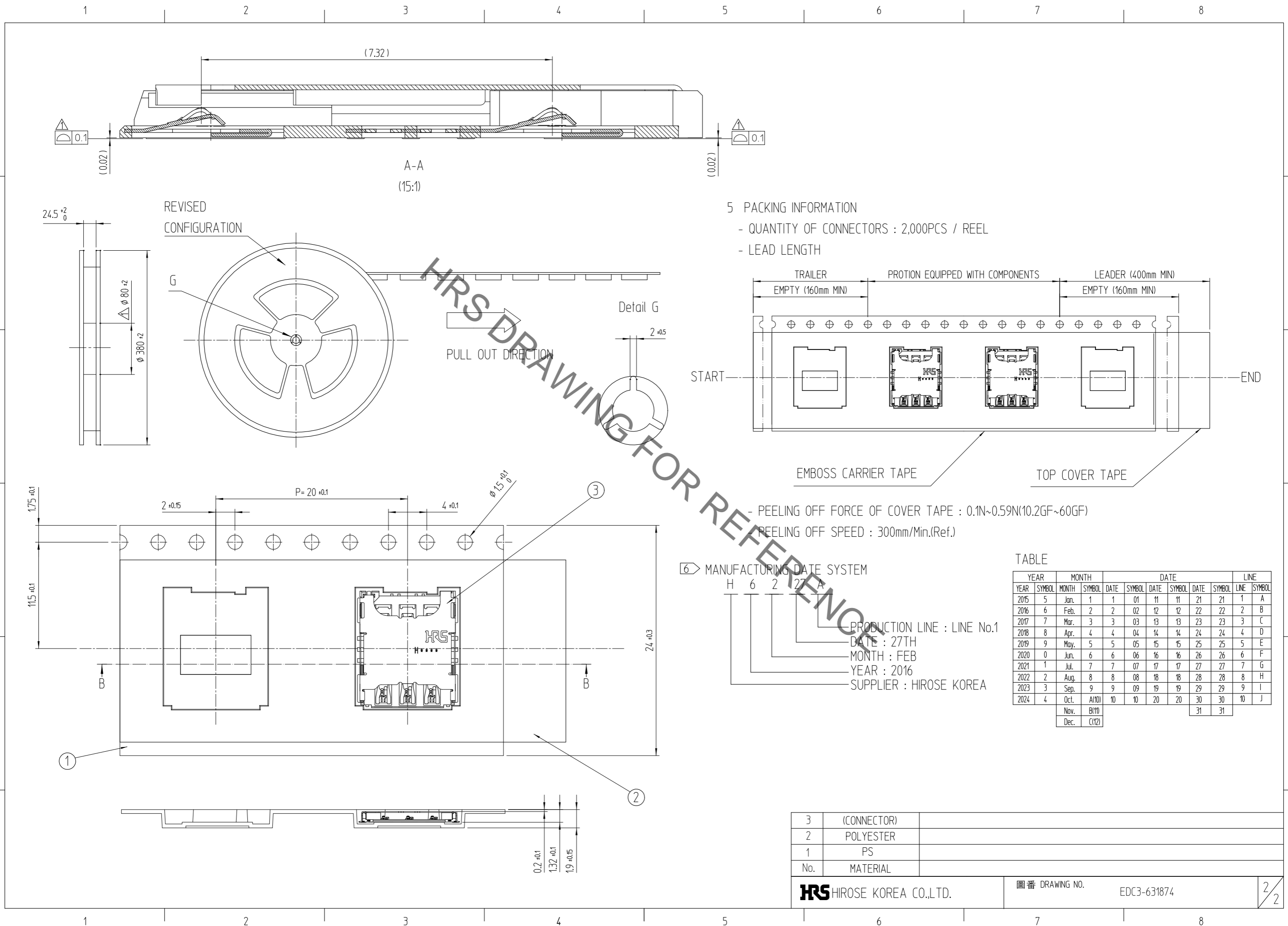
NANO SIM CARD ASSIGNMENT

② CONTACT TERMINAL AREA
③ SOLDER AREA
RECOMMEND PCB PATTERN LAYOUT (TOLERANCE : ±0.05)
RECOMMEND METAL MASK THICKNESS = 0.12mm

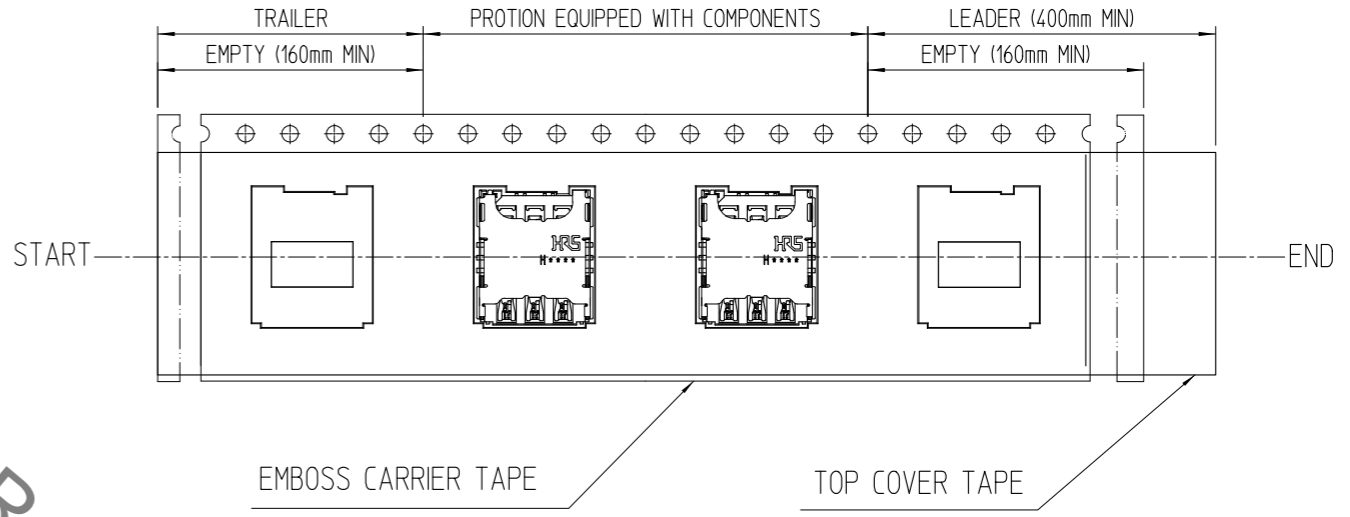
△	NO.	PART	MATERIAL	FINISH,REMARKS	NO.	PART	MATERIAL	FINISH,REMARKS
	2	COVER	STAINLESS STEEL	MOUNTING : NIP + AuP	3	SH CONTACT	COPPER ALLOY	CONTACT : NP + Pd-Ni + AuP
	1	INS. BASE	LCP	BLACK UL94-V0				MOUNTING : NP + AuP

UNLESS OTHERWISE SPECIFIED, SEE TABLE FOR TOLERANCES		CODE NO. (OLD)		DRAWN	DESIGNED	CHECKED	APPROVED	RELEASED
寸分	公差			M.J.CHEON	M.J.CHEON	J.H.CHOI	H.C.SONG	
OVER	TO			15.02.04	15.02.04	15.02.04	15.02.04	
0	6	± 0.05						
6	15	± 0.08						
15	30	± 0.1						
30	60	± 0.15						
角度 ANGULAR ± 1°		DRAWING NO. EDC3-631874		PART NO. KP13C-6S-SF(800)		CODE NO. 6530-0007-2-800		1/2
SCALE 5:1		UNITS mm		HIROSE KOREA CO.,LTD.				

Jan.1.2022 Copyright 2022 HIROSE ELECTRIC CO., LTD. All Rights Reserved.
In case of consideration for using Automotive equipment / device which demand high reliability, kindly contact our sales window correspondents.



5 PACKING INFORMATION
 - QUANTITY OF CONNECTORS : 2,000PCS / REEL
 - LEAD LENGTH



- PEELING OFF FORCE OF COVER TAPE : 0.1N~0.59N(10.2GF~60GF)
 - PEELING OFF SPEED : 300mm/Min.(Ref.)

6 MANUFACTURING DATE SYSTEM
 H 6 2 27 A
 - PRODUCTION LINE : LINE No.1
 - DATE : 27TH
 - MONTH : FEB
 - YEAR : 2016
 - SUPPLIER : HIROSE KOREA

TABLE

YEAR	MONTH	DATE				LINE					
YEAR	SYMBOL	MONTH	SYMBOL	DATE	SYMBOL	DATE	SYMBOL	DATE	SYMBOL	LINE	SYMBOL
2015	5	Jan.	1	1	01	11	11	21	21	1	A
2016	6	Feb.	2	2	02	12	12	22	22	2	B
2017	7	Mar.	3	3	03	13	13	23	23	3	C
2018	8	Apr.	4	4	04	14	14	24	24	4	D
2019	9	May.	5	5	05	15	15	25	25	5	E
2020	0	Jun.	6	6	06	16	16	26	26	6	F
2021	1	Jul.	7	7	07	17	17	27	27	7	G
2022	2	Aug.	8	8	08	18	18	28	28	8	H
2023	3	Sep.	9	9	09	19	19	29	29	9	I
2024	4	Oct.	A(10)	10	10	20	20	30	30	10	J
		Nov.	B(11)					31	31		
		Dec.	C(12)								

3	(CONNECTOR)	
2	POLYESTER	
1	PS	
No.	MATERIAL	

Mouser Electronics

Authorized Distributor

Click to View Pricing, Inventory, Delivery & Lifecycle Information:

[Hirose Electric:](#)

[KP13C-6S-SF\(800\)](#)