



LUXEON CX Plus CoB (Gen 2)

High efficacy with industry standard footprint



LUXEON CX Plus CoB (Gen 2) family of products delivers a new breakthrough in efficacy for arrays. Available in 80 and 90 CRI across multiple electrical configurations, LUXEON CX Plus CoB (Gen 2) is packaged in industry standard footprints enabling it to benefit from an existing ecosystem for fast and immediate design-in while retaining existing optics, clamps, and documentation.

FEATURES AND BENEFITS

Higher efficacy to benefit luminaire design.

An immediate, effortless upgrade to existing designs currently using legacy CoBs with a square footprint

MCPCB substrate that enables more robust systems than ceramic substrate

2- and 3-step MacAdam ellipse ensuring color consistency from luminaire to luminaire

PRIMARY APPLICATIONS

Spotlights

Track Lights

Downlights

LUXEON CX Plus CoB (Gen 2) product performance at specified test current, T_j=85°C.

PRODUCT	NOMINAL CCT	MINIMUM CRI ^[1, 2, 3]	LUMINOUS FLUX ^[1, 4] (lm)		TYPICAL LUMINOUS EFFICACY (lm/W)	TEST CURRENT (mA)	LES ^[5] (mm)	ENERGY EFFICIENCY CLASS ^[7]	PART NUMBER ^[6]
			MINIMUM	TYPICAL					
LUXEON CX Plus CoB S01	2700K	80	448	487	141	100	6	E	L2C4-2780xS01F0600
	3000K	80	469	510	148	100	6	D	L2C4-3080xS01F0600
	3500K	80	481	523	152	100	6	D	L2C4-3580xS01F0600
	4000K	80	489	532	154	100	6	D	L2C4-4080xS01F0600
	5000K	80	489	532	154	100	6	D	L2C4-5080xS01F0600
	2700K	90	381	414	120	100	6	E	L2C4-2790xS01F0600
	3000K	90	403	438	127	100	6	E	L2C4-3090xS01F0600
	3500K	90	431	469	136	100	6	E	L2C4-3590xS01F0600
	4000K	90	438	476	138	100	6	E	L2C4-4090xS01F0600
LUXEON CX Plus CoB M02	2700K	80	887	964	140	200	9	E	L2C4-2780xM02F0900
	3000K	80	942	1024	148	200	9	D	L2C4-3080xM02F0900
	3500K	80	954	1037	150	200	9	D	L2C4-3580xM02F0900
	4000K	80	985	1071	155	200	9	D	L2C4-4080xM02F0900
	5000K	80	976	1061	154	200	9	D	L2C4-5080xM02F0900
	2700K	90	775	842	122	200	9	E	L2C4-2790xM02F0900
	3000K	90	814	885	128	200	9	E	L2C4-3090xM02F0900
	3500K	90	874	950	138	200	9	E	L2C4-3590xM02F0900
	4000K	90	887	964	140	200	9	E	L2C4-4090xM02F0900
LUXEON CX Plus CoB M03	2700K	80	1580	1717	140	350	9	E	L2C4-2780xM03F0900
	3000K	80	1627	1768	144	350	9	E	L2C4-3080xM03F0900
	3500K	80	1694	1841	150	350	9	D	L2C4-3580xM03F0900
	4000K	80	1723	1873	153	350	9	D	L2C4-4080xM03F0900
	5000K	80	1723	1873	153	350	9	D	L2C4-5080xM03F0900
	2700K	90	1331	1447	118	350	9	F	L2C4-2790xM03F0900
	3000K	90	1413	1536	125	350	9	E	L2C4-3090xM03F0900
	3500K	90	1453	1579	129	350	9	E	L2C4-3590xM03F0900
	4000K	90	1513	1645	134	350	9	E	L2C4-4090xM03F0900
LUXEON CX Plus CoB L04	2700K	80	1966	2137	136	450	12	E	L2C4-2780xL04F1200
	3000K	80	2133	2319	147	450	12	D	L2C4-3080xL04F1200
	3500K	80	2155	2342	149	450	12	D	L2C4-3580xL04F1200
	4000K	80	2267	2464	156	450	12	D	L2C4-4080xL04F1200
	5000K	80	2267	2464	156	450	12	D	L2C4-5080xL04F1200
	2700K	90	1736	1887	120	450	12	E	L2C4-2790xL04F1200
	3000K	90	1866	2028	129	450	12	E	L2C4-3090xL04F1200
	3500K	90	1903	2068	131	450	12	E	L2C4-3590xL04F1200
	4000K	90	1958	2128	135	450	12	E	L2C4-4090xL04F1200
LUXEON CX Plus CoB L05	2700K	80	2407	2616	136	550	12	E	L2C4-2780xL05F1200
	3000K	80	2600	2826	147	550	12	D	L2C4-3080xL05F1200
	3500K	80	2638	2867	149	550	12	D	L2C4-3580xL05F1200
	4000K	80	2775	3016	157	550	12	D	L2C4-4080xL05F1200
	5000K	80	2775	3016	157	550	12	D	L2C4-5080xL05F1200
	2700K	90	2110	2294	119	550	12	E	L2C4-2790xL05F1200
	3000K	90	2247	2442	127	550	12	E	L2C4-3090xL05F1200
	3500K	90	2311	2512	130	550	12	E	L2C4-3590xL05F1200
	4000K	90	2367	2573	134	550	12	E	L2C4-4090xL05F1200

Table continued on next page.

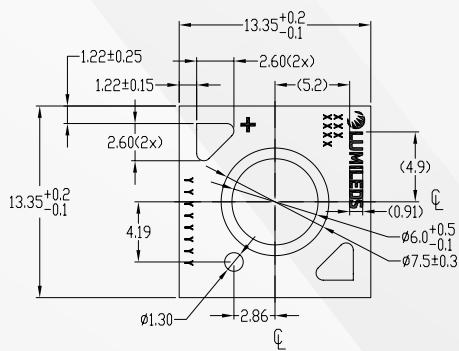
LUXEON CX Plus CoB (Gen 2) product performance at specified test current, $T_j=85^\circ\text{C}$ (continued).

PRODUCT	NOMINAL CCT	MINIMUM CRI ^[1, 2, 3]	LUMINOUS FLUX ^{[1, 4] (lm)}		TYPICAL LUMINOUS EFFICACY (lm/W)	TEST CURRENT (mA)	LES ^{[5] (mm)}	ENERGY EFFICIENCY CLASS ^[7]	PART NUMBER ^[6]
			MINIMUM	TYPICAL					
LUXEON CX Plus CoB L08	2700K	80	3535	3842	139	800	14	E	L2C4-2780xL08F1400
	3000K	80	3756	4083	148	800	14	D	L2C4-3080xL08F1400
	3500K	80	3793	4123	149	800	14	D	L2C4-3580xL08F1400
	4000K	80	4020	4370	158	800	14	D	L2C4-4080xL08F1400
	5000K	80	4020	4370	158	800	14	D	L2C4-5080xL08F1400
	2700K	90	3089	3358	122	800	14	E	L2C4-2790xL08F1400
	3000K	90	3287	3573	129	800	14	E	L2C4-3090xL08F1400
	3500K	90	3385	3679	133	800	14	E	L2C4-3590xL08F1400
	4000K	90	3482	3785	137	800	14	E	L2C4-4090xL08F1400

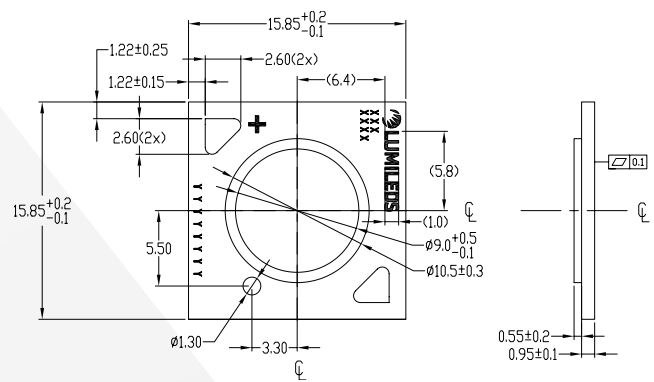
Notes:

- Lumileds maintains a tolerance of ± 2 on CRI and $\pm 6.5\%$ on luminous flux measurements.
- Typical CRI is approximately 2 points higher than the minimum CRI specified, but this is not guaranteed.
- R9 value of 90CRI products is >50 and for 80CRI products it is >0 .
- Maximum luminous flux is 10% above typical luminous flux.
- Light Emitting Surface (LES) is the inner diameter (phosphor area) inside the dam.
- Part number "x" designates SDCM (2=2-step MacAdam ellipse, 3=3-step MacAdam ellipse).
- Energy efficiency class as specified in Commission Delegated Regulation (EU) 2019/2015. The available range of energy efficiency classes is A-G.

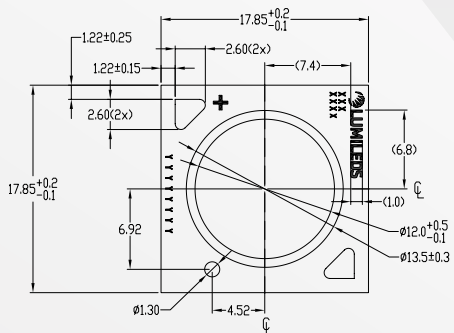
Mechanical Dimensions.



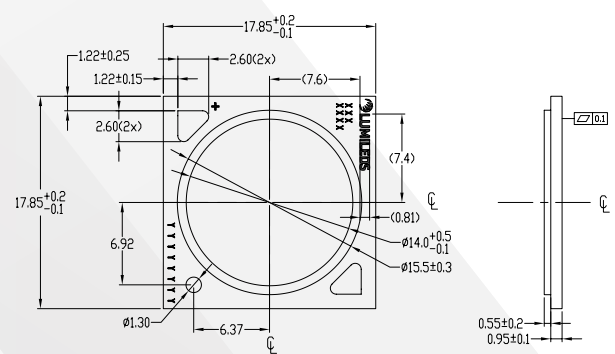
L2C4-xxxxxS01F0600



L2C4-xxxxxM02F0900 and L2C4-xxxxxM03F0900



L2C4-xxxxxL04F1200 and L2C4-xxxxxL05F1200



L2C4-xxxxxL08F1400

Notes:

- Drawings are not scale.
- All dimensions are in millimeters.

©2021 Lumileds Holding B.V. All rights reserved. LUXEON is a registered trademark of the Lumileds Holding B.V. in the United States and other countries.

lumileds.com

Neither Lumileds Holding B.V. nor its affiliates shall be liable for any kind of loss of data or any other damages, direct, indirect or consequential, resulting from the use of the provided information and data. Although Lumileds Holding B.V. and/or its affiliates have attempted to provide the most accurate information and data, the materials and services information and data are provided "as is," and neither Lumileds Holding B.V. nor its affiliates warrants or guarantees the contents and correctness of the provided information and data. Lumileds Holding B.V. and its affiliates reserve the right to make changes without notice. You as user agree to this disclaimer and user agreement with the download or use of the provided materials, information and data. A listing of Lumileds product/patent coverage may be accessed at lumileds.com/patents.