

LF Series

# Shielded Small Waterproof Connector



Bayonet



Waterproof



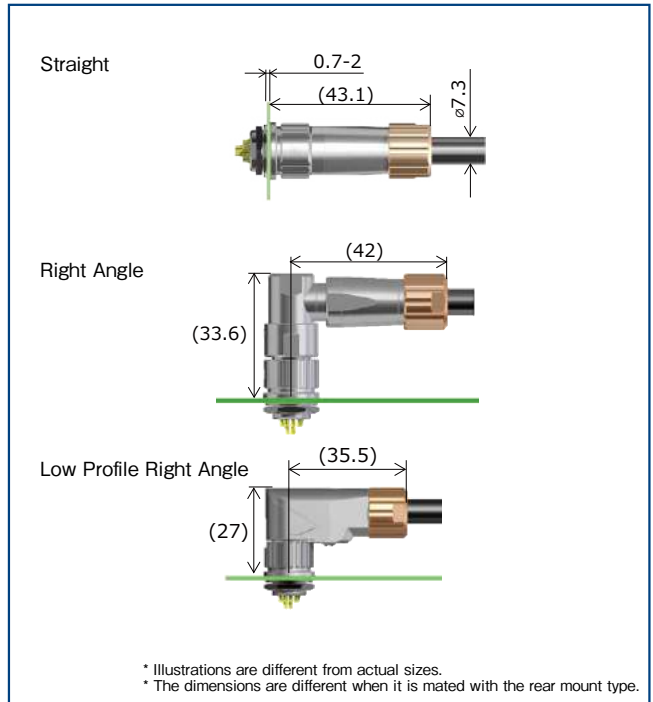
Compact



# Features

## 1. Small, Robust Design

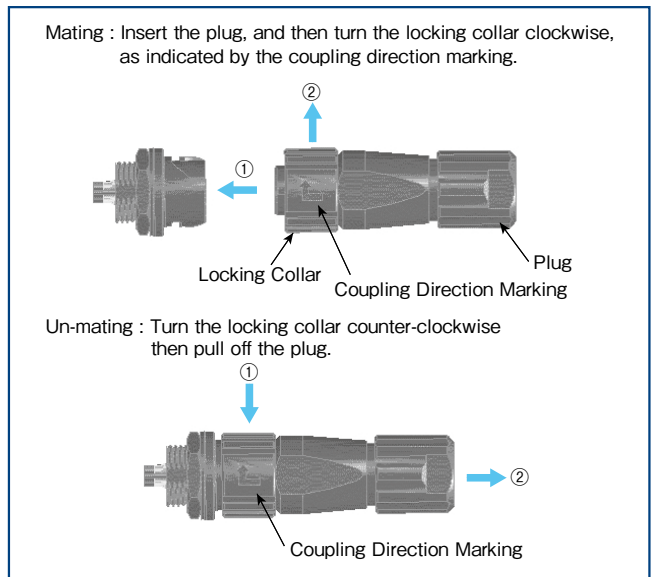
Small, robust design with metal shell



Dimensions Example  
(LF10 Plug Mated with Front Mount Receptacle)

## 2. Bayonet Lock

User-friendly lock with superior vibration resistance.



Lock Design

## 3. Waterproof : IP67/IP68\* Compliant

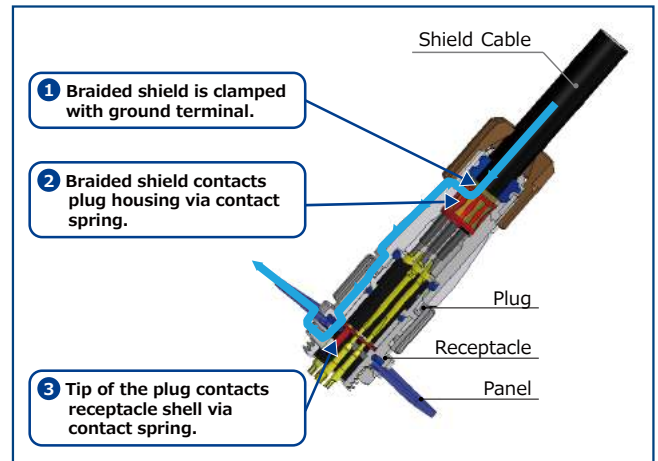
IP67/IP68 waterproof performance when mated.

\*IP67 : Left at a water depth of 1 meters for 30 minutes in mated condition.

IP68 : Left at a water depth of 2 meters for 14 days in mated condition.

## 4. Easy Shielding Termination

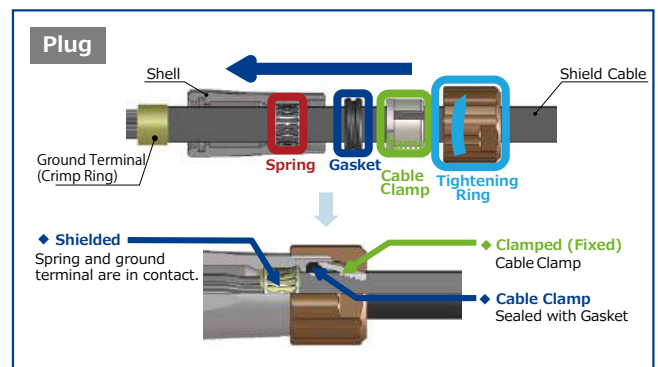
The cable shield is easily connected to the connector shell by attaching the metal clamp to the cable sheath.



Shield Connection Phase Diagram

## 5. Easy Assembly

Waterproof performance and shielding of the plug are attained just by tightening the ring. The plug design reduces component and assembly costs.



## 6. Wide Variety of Configurations

- 2 types of cable assembly: solder and crimp
- Hybrid type with power and signal contacts in a single shell for space-saving
- Plug with easy to grip sleeve that prevents slipping for enhanced operability
- 2 receptacle mounting options: front mount and rear mount

## 7. High Speed Transmission

Supports Cat.5e(1Gbps) high speed Ethernet

\*Based on EtoE Standard Class D 3-Conn E3

\*Characteristics depend on pin assignment, cable specifications and cable assembly conditions. Please check prior to use.

\*Please contact a Hirose representative for questions on the recommended pin assignment.

## 8. Suited for Long-Term Outdoor Use

Sunshine weather meter test performed for 2,000 hours.

## 9. Safety Standard Certified

The 4 position variation meets TÜV safety standards at a current of 10A.

The 3 position and 4 position variations also meet UL safety standards.

## 10. RoHS2 Compliant

### Product Specifications

Rated Current	3pos. : 5A 4pos. : 10A 6, 12, 20pos. : 2A Hybrid 6pos. : Power 2pos. 4A, Signal 4pos. 1A Hybrid 11pos. : Power 4pos. 10A, Signal 7pos. 2A	Operating Temperature (Note 1)	-25 to +85°C
Rated Voltage	3pos. : 125V AC / 175V DC 4pos. : 125V AC/DC 6, 12, 20pos. : 30V AC / 42V DC Hybrid 6pos. : Power 2pos. 60V AC/DC, Signal 4pos. 60V AC/DC Hybrid 11pos. : Power 4pos. 125V AC/DC, Signal 7pos. 30V AC / 42V DC	Storage Temperature Range	-10 to +60°C

Items	Specifications	Conditions
Contact Resistance	3, 6, 12, 20, Hybrid 6pos. : 15mΩ Max. 4pos. : 5mΩ Max. Hybrid 11pos. : Power 4pos. 5mΩ Max., Signal 7pos. 15mΩ Max.	Measured at 1A DC
Insulation Resistance	1000MΩ Min.	3, 4pos. : Measured at 500V DC 3, 6, 12, 20, Hybrid 6pos. : Measured at 100V DC Hybrid 11pos. : Power 4pos. : Measured at 500V DC, Signal 7pos. : Measured at 100V DC
Withstand Voltage	No flashover and insulation breakdown	3, 4pos. : 1250V AC for 1 min. 3, 6, 12, 20, Hybrid 6pos. : 300V AC for 1 min. Hybrid 11pos. : Power 4pos. 1250V AC, Signal 7pos. : 300V AC for 1 min.
Mating Durability	3, 6, 12, 20, Hybrid 6pos. : 30mΩ Max. 4pos. : 10mΩ Max. Hybrid 11pos. : Power 4pos. 10mΩ Max., Signal 7pos. 30mΩ Max.	1000 times
Vibration Resistance	No electrical interruption of 10 μs or more. No damage, cracks or parts dislocation.	Frequency : 10 to 55 to 10Hz/cycle Half amplitude 0.75mm, 5 minutes/cycle 10 cycles each in 3 axis directions
Shock Resistance	No electrical interruption of 10 μs or more. No damage, cracks or parts dislocation.	Acceleration : 490m/s <sup>2</sup> , duration : 11ms, 3 times each in 3 axis directions
Humidity Resistance (Normal Condition)	Insulation resistance : 10MΩ Min. (at high humidity condition) 100MΩ Min. (at dry condition)	Temperature : 40°C , relative humidity : 90 to 95%, left for 96 hours
Temperature Cycle	Insulation resistance : 100MΩ Min. No damage, cracks or parts dislocation.	-55°C for 30 minutes → Room temperature for 2 to 3 minutes → +85°C for 30 minutes → Room temperature for 2 to 3 minutes, Repeated for 5 cycles.
Water Resistance	No water intrusion inside connector	At a water depth of 1.8 meters for 48 hours in mated condition.

Note 1 : Includes temperature rise caused by current flow.

Note 2 : Depending on the cable construction and specifications, the cable clamp force, rotational force, waterproof performance, etc. may differ. Please use after confirming in advance.

## Materials / Finish

Component	Material	Finish / Remarks	UL
Outer Shell	Zinc Alloy	Nickel Plating	-
	PPS Resin	Brown	UL94V-0
Insulator	PPS Resin	Black	UL94V-0
Contact	Copper Alloy	Partial Gold Plating Over Nickel Underplating	-
Gasket, O-ring	Chloroprene Rubber	Black	-

## Product Number Structure

Refer to the chart below when determining the product specifications from the product number. Please select from the product numbers listed in this catalog when placing orders.

### ● Connector

**LF 07 W B P# - 6 S# - A (##)**

① ② ③ ④ ⑤ ⑥ ⑦ ⑧ ⑨

① Series Name	LF	⑥ No. of Pos.	
② Shell Size	07, 10, 13	⑦ Contact Gender	P : Male Contact S : Female Contact (Changed specifications for products of the same category.)
③ Specialty	W : Waterproof Type	⑧ Difference in Contact Arrangement	Added when contact arrangement differs from the standard type. A : Contact Arrangement Difference
④ Lock Mechanism	B : Bayonet Lock	⑨ Other Specifications	① to ⑧ # two-digit character is added to indicate other specifications as needed.
⑤ Shell Type	P : Plug LP : Right Angle Plug R : Receptacle J : Jack (Changed specifications for products of the same category.)		

### ● Crimp Contact

**HR10 - P C - 1 1 1**

① ② ③ ④ ⑤ ⑥

**HR12 - S C - 1 1 1**

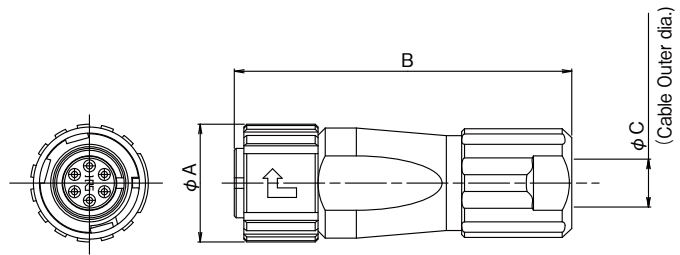
① ② ③ ④ ⑤ ⑥

① Series Name	HR10 HR12	④ Contact Shape	1 : Loose Piece Contact 2 : Reel Contact
② Contact Gender	P : Male Contact S : Female Contact	⑤ Design	1 : If the design of contacts of the same size differs, 1, 2, 3 etc. are added to distinguish them
③ Contact Assembly	C : Crimp	⑥ Contact Area Plating	1 : Gold Plated

Note : The LF Series uses the contacts from the existing HR10/HR12 Series.

# Straight Plug

## Solder Type



(Example of product appearance.)

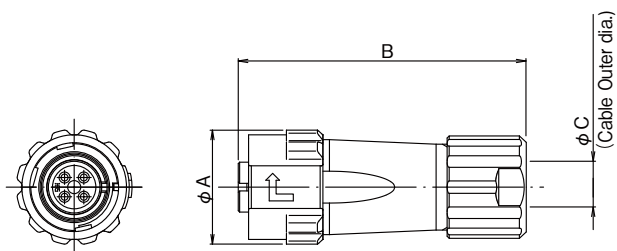
Unit : mm

Part No.	HRS No.	Shell Size	No. of Pos.	$\phi A$	B	$\phi C$	Weight	Purchase Unit
LF07WBP-3S(31)	CL0136-0003-7-31	LF07	3	12.3	35.8	5.0	11g	50pcs per tray
LF07WBP-3P(31)	CL0136-0004-0-31		6					
LF07WBP-6S(31)	CL0136-0001-1-31							
LF07WBP-6P(31)	CL0136-0002-4-31	LF07-A	Hybrid 6pos. (Note 1)	12.3	35.8	5.3	11g	
LF07WBP-6S-A(31)	CL0136-0029-0-31							
LF07WBP-6P-A(31)	CL0136-0016-0-31	LF10	4	14.8	41.8	7.3	17g	
LF10WBP-4S(31)	CL0136-0005-2-31		12					
LF10WBP-4P(31)	CL0136-0006-5-31						16g	
LF10WBP-12S(31)	CL0136-0007-8-31	LF13	Hybrid 11pos. (Note 2)	17.9	51.9	8.7	29g	
LF10WBP-12P(31)	CL0136-0008-0-31		20					
LF13WBP-11S	CL0136-0011-5-00							
LF13WBP-11P	CL0136-0012-8-00							
LF13WBP-20S	CL0136-0009-3-00							
LF13WBP-20P	CL0136-0010-2-00							

Note 1 : Power 2pos.+ Signal 4pos.

Note 2 : Power 4pos.+ Signal 7pos.

### Easy Lock Solder Type

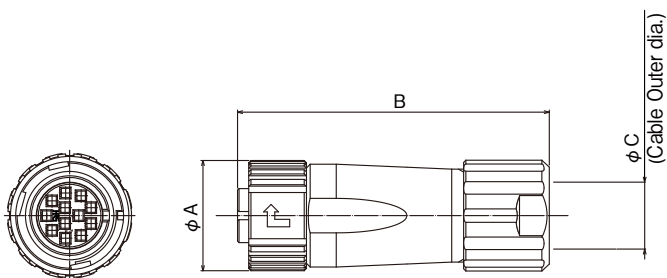


(Example of product appearance.)

Unit : mm

Part No.	HRS No.	Shell Size	No. of Pos.	φ A	B	φ C	Weight	Purchase Unit
LF07WBPD-6S(31)	CL0136-0020-6-31	LF07	6	14.3	35.8	5.0	12g	50pcs per tray
LF10WBPD-4S(31)	CL0136-0014-3-31	LF10	4	16.8	41.8	7.3	19g	
LF10WBPD-4P(31)	CL0136-0017-1-31							
LF10WBPD-12S(31)	CL0136-0015-6-31							
LF10WBPD-12P(31)	CL0136-0018-4-31							

### Crimp Type



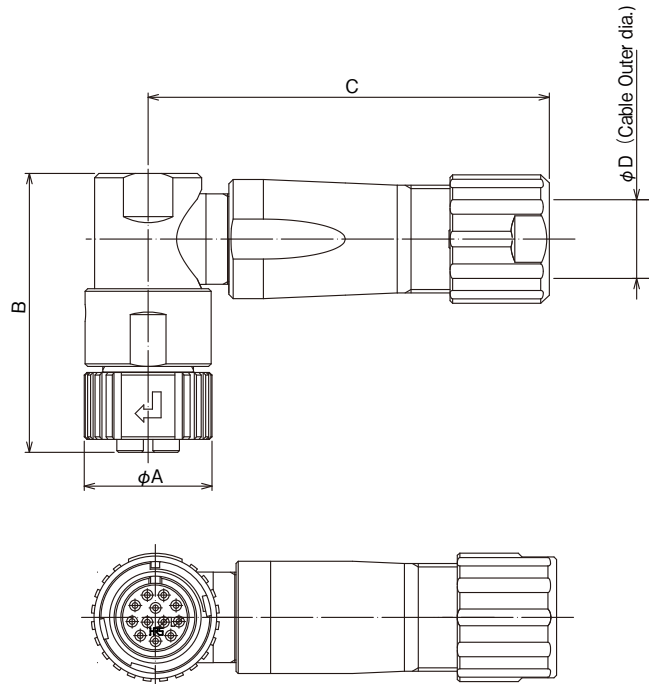
(Example of product appearance.)

Unit : mm

Part No.	HRS No.	Shell Size	No. of Pos.	φ A	B	φ C	Weight	Purchase Unit
LF10WBP-12SC	CL0136-0041-0-00	LF10	12	14.8	41.8	7.6	17g	50pcs per tray
LF13WBP-20PC	CL0136-0040-0-00	LF13	20	17.9	51.9	9.0	27g	
LF13WBP-20SC	CL0136-0044-0-00							

## Right Angle Plug

### Solder Type



(Example of product appearance.)

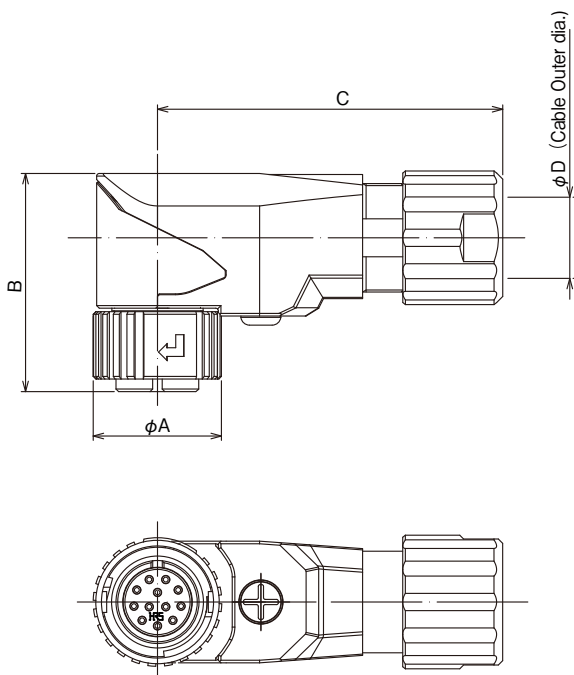
Unit : mm

Part No.	HRS No.	Shell Size	No. of Pos.	φ A	B	C	φ D	Weight	Purchase Unit
LF07WBLP-6PA(31)	CL0136-0022-1-31	LF07	6	12.3	28.2	34.5	5.3	20g	20pcs per bag
LF10WBLP-12SA(31)	CL0136-0013-0-31	LF10	12	14.8	32.3	42.0	7.6	31g	
LF10WBLP-12PA(31)	CL0136-0025-0-31								
LF13WBLP-11PA	CL0136-0023-4-00	LF13	Hybrid 11pos. (Note)	17.9	33.6	53.4	9.0	49g	1pc per bag
LF13WBLP-20PA	CL0136-0031-0-00		20					50g	10psc per bag
LF13WBLP-20SA	CL0136-0034-0-00								

Note : Power 4pos. + Signal 7pos.



### Low Profile Solder Type



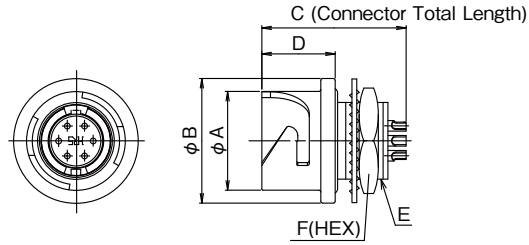
(Example of product appearance.)

Unit : mm

Part No.	HRS No.	Shell Size	No. of Pos.	$\phi A$	B	C	$\phi D$	Weight	Purchase Unit
LF10WBLPA-12P	CL0136-0039-0-00	LF10	12	14.8	25.1	35.5	7.6	34g	50pcs per tray

## Receptacle (Front Mount)

### Solder Type



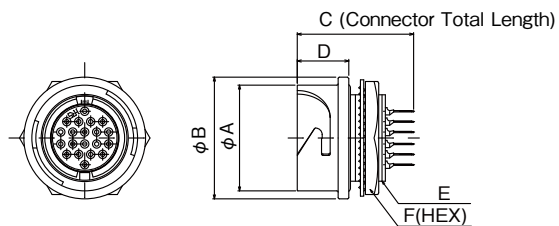
(Example of product appearance.)

Unit : mm

Part No.	HRS No.	Shell Size	No. of Pos.	$\phi A$	$\phi B$	C	D	E	F	Weight	Purchase Unit
LF07WBR-3P	CL0136-1003-2-00	LF07	3	10.3	13.0	16.55	7.65	M9 × 0.75	11.0	4g	60pcs per tray
LF07WBR-3S	CL0136-1004-5-00										
LF07WBR-6P	CL0136-1001-7-00		6			15.05					
LF07WBR-6S	CL0136-1002-0-00					15.25					
LF10WBR-4P	CL0136-1005-8-00	LF10	4	12.8	15.3	19.05	7.75	M11 × 0.75	13.0	6g	
LF10WBR-4S	CL0136-1006-0-00										
LF10WBR-12P	CL0136-1007-3-00		12			17.25				5g	
LF10WBR-12S	CL0136-1008-6-00									6g	
LF13WBR-11P	CL0136-1011-0-00	LF13	Hybrid 11pos. (Note)	15.9	18.3	19.05	7.75	M14 × 0.75	17.0	9g	50pcs per tray
LF13WBR-11S	CL0136-1012-3-00									10g	
LF13WBR-20P	CL0136-1009-9-00		20			17.25				9g	
LF13WBR-20S	CL0136-1010-8-00									10g	

Note : Power 4pos. + Signal 7pos.

### Through Hole Type

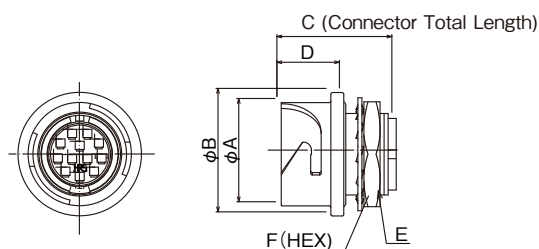


(Example of product appearance.)

Unit : mm

Part No.	HRS No.	Shell Size	No. of Pos.	φ A	φ B	C	D	E	F	Weight	Purchase Unit
LF13WBR-20SD	CL0136-1017-7-00	LF13	20	15.9	18.3	17.5	7.75	M14 × 0.75	17.0	9g	50pcs per tray

### Crimp Type



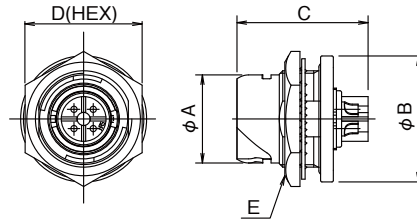
(Example of product appearance.)

Unit : mm

Part No.	HRS No.	Shell Size	No. of Pos.	φ A	φ B	C	D	E	F	Weight	Purchase Unit
LF10WBR-12PC	CL0136-0042-0-00	LF10	12	12.8	15.3	14.25	7.75	M11 × 0.75	13.0	6g	50pcs per tray

## Receptacle (Rear Mount)

### Solder Type



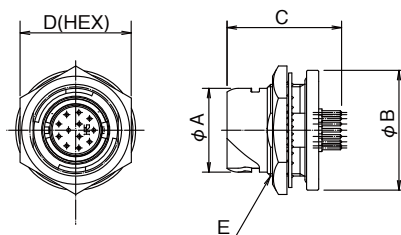
(Example of product appearance.)

Unit : mm

Part No.	HRS No.	Shell Size	No. of Pos.	$\phi A$	$\phi B$	C	D	E	Weight	Purchase Unit
LF07WBRB-6S	CL0136-0054-0-00	LF07	6	10.3	15	17.25	13	M11 × 0.75	8g	50pcs per tray
LF10WBRB-4P	CL0136-1118-4-00	LF10	4	12.8	18.3	19.05	17	M14 × 0.75	10g	
LF10WBRB-4S	CL0136-1123-0-00					17.25			11g	
LF10WBRB-12P	CL0136-1013-6-00		12			10g				
LF10WBRB-12S	CL0136-1014-9-00					10g				
LF13WBRB-11P	CL0136-1024-0-00	LF13	Hybrid 11pos. (Note)	15.9	21.5	19.25	20	M17 × 0.75	15g	10pcs per bag
LF13WBRB-11S	CL0136-1019-2-00								16g	
LF13WBRB-20P	CL0136-1023-0-00		20						16g	20pcs per tray
LF13WBRB-20S	CL0136-1018-0-00									

Note : Power 4pos. + Signal 7pos.

### Through Hole Type



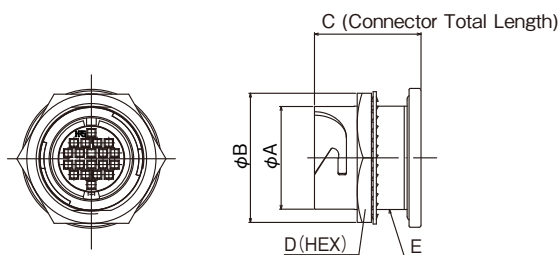
(Example of product appearance.)

Unit : mm

Part No.	HRS No.	Shell Size	No. of Pos.	φ A	φ B	C	D	E	Weight	Purchase Unit
LF07WBRB-3SD(31)	CL0136-1025-0-31	LF07	3	10.3	15.0	20.0	13.0	M11 × 0.5	8g	50pcs per tray
LF07WBRB-6SD(31)	CL0136-1026-0-31		6				-			
LF07WBRB-6PD-A(31)	CL0136-1021-0-31	LF07-A	Hybrid 6pos. (Note)				-	M14 × 0.75	10g	
LF07WBRB-6SD-A(31)	CL0136-1022-0-31						-			
LF10WBRB-12PD	CL0136-1015-1-00	LF10	12	12.8	18.3	17.5	17.0	M14 × 0.75	10g	
LF10WBRB-12SD	CL0136-1016-4-00		12	12.8	18.3	17.5	17.0	M14 × 0.75	10g	
LF13WBRB-20SD	CL0136-1027-0-00	LF13	20	15.9	21.5	20.0	20.0	M17 × 0.75	16g	

Note : Power 2pos. + Signal 4pos.

### Crimp Type



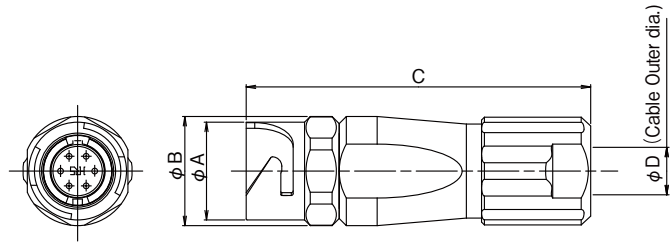
(Example of product appearance.)

Unit : mm

Part No.	HRS No.	Shell Size	No. of Pos.	φ A	φ B	C	D	E	Weight	Purchase Unit
LF13WBRB-20SC	CL0136-1033-0-00	LF13	20	15.9	21.5	16.5	20.0	M17 × 0.75	15g	20pcs per bag
LF13WBRB-20PC	CL0136-1124-0-00								14g	

# Jack

## Solder Type



(Example of product appearance.)

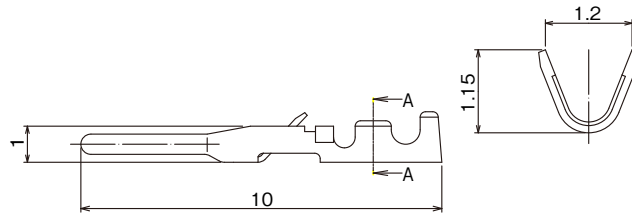
Unit : mm

Part No.	HRS No.	Shell Size	No. of Pos.	$\phi A$	$\phi B$	C	$\phi D$	Weight	Purchase Unit
LF07WBJ-3P	CL0136-2003-8-00	LF07	3	10.3	11.5	36.3	5.0	11g	50pcs per tray
LF07WBJ-3S	CL0136-2004-0-00		6						
LF07WBJ-6P	CL0136-2001-2-00								
LF07WBJ-6S	CL0136-2002-5-00								
LF10WBJ-4P	CL0136-2005-3-00	LF10	4	12.8	13.8	42.4	7.3	16g	
LF10WBJ-4S	CL0136-2006-6-00		12						
LF10WBJ-12P	CL0136-2007-9-00								
LF10WBJ-12S	CL0136-2008-1-00								
LF13WBJ-11P	CL0136-2011-6-00	LF13	Hybrid 11pos. (Note)	15.9	16.9	52.4	8.7	29g	
LF13WBJ-11S	CL0136-2012-9-00							30g	
LF13WBJ-20P	CL0136-2009-4-00		20					29g	
LF13WBJ-20S	CL0136-2010-3-00							30g	

Note : Power 4pos. + Signal 7pos.

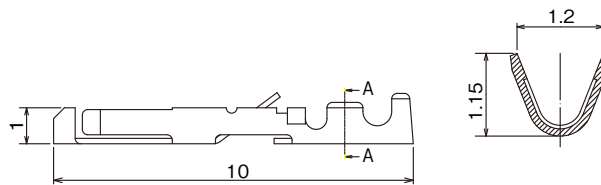
## Crimp Contact

### Male Contact



Type	Part No.	HRS No.	Applicable Connector	Applicable Cable	Purchase Unit
Loose Contact	HR10-PC-111	CL0110-0515-6-00	LF13WBP-20PC LF10WBR-12PC	26-30 AWG Outer Dia. $\phi$ 1 Max.	100pcs per bag
Reel Contact	HR10-PC-211	CL0110-0516-9-00	LF13WBRB-20PC		10,000pcs per reel

### Female Contact

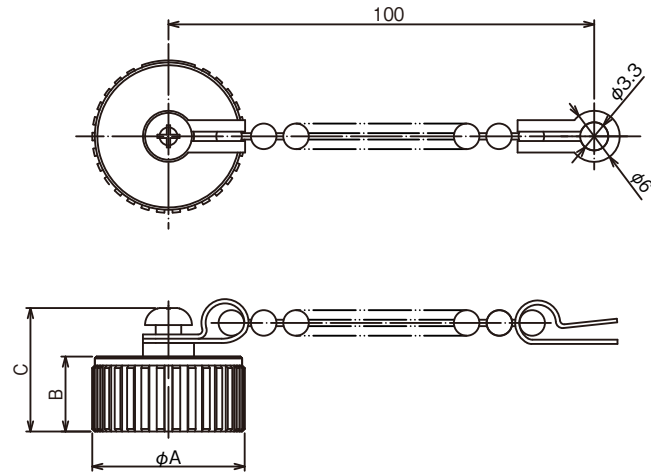


Type	Part No.	HRS No.	Applicable Connector	Applicable Cable	Purchase Unit
Loose Contact	HR12-SC-111	CL0112-0410-0-00	LF10WBP-12SC LF13WBP-20SC	26-30 AWG Outer Dia. $\phi$ 1 Max.	100pcs per bag
Reel Contact	HR12-SC-211	CL0112-0407-6-00	LF13WBRB-20SC		10,000pcs per reel

Note : The LF Series uses the contacts from the existing HR10/HR12 Series.

# Cap

## Metal Receptacle Cap



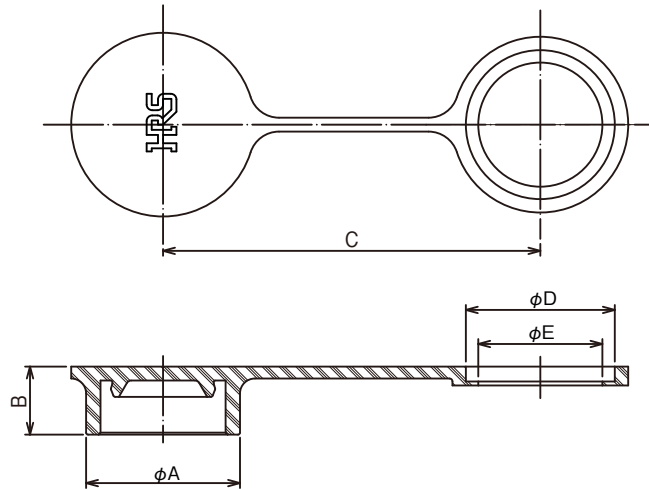
(Example of product appearance.)

Unit : mm

Type	Part No.	HRS No.	Applicable Connector	$\phi A$	B	C	Weight	Purchase Unit
Without Chain	LF07WBR-C	CL0136-3008-7-00	LF07WBR-3P LF07WBR-3S LF07WBR-6P LF07WBR-6S LF07WBRB-6S LF07WBRB-3SD(31) LF07WBRB-6SD(31) LF07WBRB-6PD-A(31) LF07WBRB-6SD-A(31)	12.3	8.8	-	4g	20pcs per bag
	LF10WBR-C	CL0136-3001-8-00	LF10WBR-4P LF10WBR-4S LF10WBR-12P LF10WBR-12S LF10WBR-12PC LF10WBRB-4P LF10WBRB-4S LF10WBRB-12P LF10WBRB-12S LF10WBRB-12PD LF10WBRB-12SD	14.8			5g	
	LF13WBR-C	CL0136-3003-3-00	LF13WBR-11P LF13WBR-11S LF13WBR-20P LF13WBR-20S LF13WBR-20SD LF13WBRB-11P LF13WBRB-11S LF13WBRB-20P LF13WBRB-20S LF13WBRB-20SD LF13WBRB-20PC LF13WBRB-20SC	17.9	8.75		7g	
With Chain	LF13WBR-C1	CL0136-3006-1-00	LF13WBR-11P LF13WBR-11S LF13WBR-20P LF13WBR-20S LF13WBR-20SD LF13WBRB-11P LF13WBRB-11S LF13WBRB-20P LF13WBRB-20S LF13WBRB-20SD LF13WBRB-20PC LF13WBRB-20SC	17.9	-	14.5	12g	



### Rubber Receptacle Cap



(Example of product appearance.)

Unit : mm

Part No.	HRS No.	Applicable Connector	$\phi A$	B	C	$\phi D$	$\phi E$	Weight	Purchase Unit
LF07WBR-C2	CL0136-3005-9-00	LF07WBR-3P LF07WBR-3S LF07WBR-6P LF07WBR-6S LF07WBRB-6S LF07WBRB-3SD(31) LF07WBRB-6SD(31) LF07WBRB-6PD-A(31) LF07WBRB-6SD-A(31)	13.0	6.55	38.0	10.0	-	1g	20pcs per bag
LF10WBR-C2	CL0136-3007-4-00	LF10WBR-4P LF10WBR-4S LF10WBR-12P LF10WBR-12S LF10WBR-12PC LF10WBRB-4P LF10WBRB-4S LF10WBRB-12P LF10WBRB-12S LF10WBRB-12PD LF10WBRB-12SD	15.5	6.85	38.0	15.0	12.5	2g	
LF13WBR-C2	CL0136-3011-0-00	LF13WBR-11P LF13WBR-11S LF13WBR-20P LF13WBR-20S LF13WBR-20SD LF13WBRB-11P LF13WBRB-11S LF13WBRB-20P LF13WBRB-20S LF13WBRB-20SD LF13WBRB-20PC LF13WBRB-20SC	18.6	6.55	40.0	15.5	-	2g	

## Applicable Tools

### Termination Tools



(Example of product appearance.)

Part No.	HRS No.	Applicable Connector	Purchase Unit
LF07BP-T01	CL0150-0232-0-00	LF07WBP-##	1pc per bag
LF07BJ-T01	CL0150-0233-3-00	LF07WBJ-##	
LF10BP-T01	CL0150-0235-9-00	LF10WBP-##	
LF10BJ-T01	CL0150-0236-1-00	LF10WBJ-##	
LF13BP-T01	CL0150-0237-4-00	LF13WBP-##	
LF13BJ-T01	CL0150-0238-7-00	LF13WBJ-##	

Note 1 : The applicable alphanumeric is added in place of ## based on the pin count. (Example: 6S)

Note 2 : Use the termination tool as a base for termination or assembly.

### Cable Crimp Tool

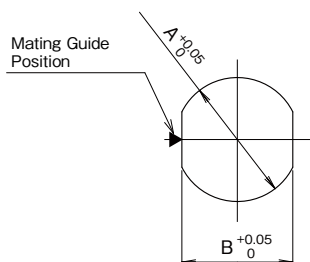
Item	Part No.	HRS No.	LF Series Applicable Cable Dia.
Manual Crimp Tool	HR10A-TC-02	CL0150-0041-2-00	φ 5mm (Note)
	LF-TC-01	CL0150-0234-6-00	φ 7.3mm · φ 8.7mm

Note : Please note that while the applicable cable diameters for the HR10A-TC-02 crimp tool are φ 5mm and φ 7mm, the applicable cable diameter of the LF Series is φ 5mm only.

### Crimp Contact Tool

Item	Type	Part No.	HRS No.	Applicable Contact	Applicable Cable
Automatic	Automatic Crimp Press	CM-105C	CL0901-0001-0-00	-	-
	Applicator	AP105-HR12-1	CL0901-2015-9-00	HR10-PC-211 HR12-SC-211	26-30 AWG Outer Dia. φ 1 Max.
Manual	Manual Crimp Tool	HT802/HR12-SC-1	CL0150-0400-3-00	HR10-PC-111 HR12-SC-111	26-30 AWG Outer Dia. φ 1 Max.
Contact Extraction Tool		RP6-SC-TP	CL0150-0039-0-00	HR10-PC-211 HR10-PC-111	-
		HR12-SC-TP	CL0150-0050-3-00	HR12-SC-211 HR12-SC-111	-

## Panel Cut-Out Dimensions



Unit : mm

Type	Shell Size	Applicable Connector	$\phi A$	B	Panel Thickness
Front Mount	LF07	LF07WBR-##	9.05	8.1	0.7 to 2.0
	LF10	LF10WBR-##	11.05	10.2	
	LF13	LF13WBR-##	14.05	13.1	
Rear Mount	LF07	LF07WBRB-##	11.05	10.5	0.7 to 4.0
	LF10	LF10WBRB-##	14.05	13.1	0.7 to 2.0
	LF13	LF13WBRB-##	17.05	16.1	0.7 to 4.8

Note : The applicable alphanumeric is added in place of ## based on the pin count. (Example: 6S)

## Contact Arrangement and Main Specifications

Shell Size	LF07		LF07-A	
Contact Arrangement				
No. of Pos.	3	6	Power/Signal Hybrid 6pos.	
Withstanding Voltage	1250V AC	300V AC	300V AC	
Current Rating	5A	2A	Power 2pos. 4A	Signal 4pos. 1A
Insulation Resistance	1000MΩ			
Contact Resistance	15MΩ			
Solder Pot Inner Diameter	φ 1.15	φ 0.8	Power 2pos. φ 1.15	Signal 4pos. φ 0.8

Shell Size	LF10		LF13		
Contact Arrangement					
No. of Pos.	4	12	Power/Signal Hybrid 11pos.		20
Withstanding Voltage	1250V AC	300V AC	Power 4pos. 1250V AC	Signal 7pos. 300V AC	300V AC
Current Rating	10A	2A	Power 4pos. 10A	Signal 7pos. 2A	2A
Insulation Resistance	1000MΩ				
Contact Resistance	5mΩ	15mΩ	Power 4pos. 5mΩ	Signal 7pos. 15mΩ	15mΩ
Solder Pot Inner Diameter	φ 1.7	φ 0.8	Power 4pos. φ 1.7	Signal 7pos. φ 0.8	φ 0.8

Note 1 : The contact arrangements are from the view of the female contact connector mating face.

Note 2 : The ▼ symbol in the above diagrams indicates the mating guide position.

Note 3 : The withstanding voltage values in the above tables are tested values.

## Cable Specifications (Reference)

No. of Pos.		3pos.	4pos.	6pos.	12pos.	20pos.	11pos.	
Conductor	Material	Tin Plated Soft Copper Wire						
	Size (mm)	φ 0.18	φ 0.26	φ 0.16	φ 0.16	φ 0.16	φ 0.26	φ 0.16
	Construction	20 / φ 0.18	20 / φ 0.26	7 / φ 0.16	7 / φ 0.16	7 / φ 0.16	26 / φ 0.26	7 / φ 0.16
	Size (AWG)	20	16	26	26	26	16	26
	Sectional Area (mm <sup>2</sup> )	0.5	1.25	0.14	0.14	0.14	1.25	0.14
	Diameter (mm)	φ 0.98	φ 1.5	φ 0.48	φ 0.48	φ 0.48	φ 1.5	φ 0.48
Insulator	Diameter (mm)	φ 1.5 (Standard)	φ 2.1	φ 0.88 (Standard)	φ 0.9	φ 0.9	φ 2.1	φ 0.95
	Thickness (mm)	0.26	0.3	0.2	0.21	0.21	0.3	0.24
Shield	Material	Tin Plated Soft Copper Wire						
	Density (%)	85%	80% Min.	85%	80% Min.	80% Min.	80% Min.	
	Diameter (mm)	φ 3.6	φ 5.5	φ 3.4	φ 4.2	φ 5.1	φ 6.7	
Jacket	Diameter (mm)	φ 5 ± 0.2	φ 7.3 ± 0.2	φ 5 ± 0.2	φ 7.3 ± 0.2	φ 8.7 ± 0.2	φ 8.7 ± 0.2	

Note 1 : The cable specifications in the above table satisfy UL requirements.

Note 2 : Use a cable without empty space inside. If there is empty space in the cable, clamping and waterproof performance may not be maintained.

## Connector Usage Precautions

- When assembling the connector and installing to equipment, refer to the separate procedure manual and drawings. Please also make sure to use the specified tightening torque. If the torque is too low or high, it may result in loosening or product damage. (Contact a Hirose sales representative for the procedure manual.)
- Once mated, pull lightly on the cable to confirm the mated status and that the connector does not come off.
- Excessive external force applied to the connector may cause deformation or damage, resulting in poor conduction or waterproofing performance issues. Please avoid forceful insertion/removal, impact and pulling, routing or twisting of the cables. Also, when routing inside equipment, make sure to provide sufficient slack to the cable so that a load is not applied directly to the connector such as through excessive cable bending or tension on the cable.
- Damage of the waterproof seal or waterproof surface may result in issues with the waterproof performance, so please refrain from using a damaged product.

## While Taking into Consideration

Specifications mentioned in this catalog are reference values.

When considering to order or use this product, please confirm the Drawing and Product Specifications sheets.

Use an appropriate cable when using the connector in combination with cables.

If considering usage of a non-specified cable, please contact your sales representative.

If assembly process is done by jigs & tools which are not identified by Hirose, assurance will not be given.

If considering usage for below mentioned applications, please contact your sales representative.

In cases where the application will demand a high level of reliability, such as automotive, medical instruments, public infrastructure, aerospace/ defense etc. Hirose must review before assurance of reliability can be given.