

PRODUCT SPECIFICATIONS

SHARP
www.DataSheet4U.com


Liquid Crystal Displays Group

LQ043T3DX02

TFT-LCD Module

Spec. Issue Date: Dec. 28, 2005

No: LCM-05042

PREPARED BY: DATE	 LIQUID CRYSTAL DISPLAY GROUP SHARP CORPORATION SPECIFICATION	SPEC No. LCM-05042
APPROVED BY: DATE		FILE No.
To SMA Customer		ISSUE: December 28, 2005
		PAGE : 23 pages
		APPLICABLE GROUP Mobile Liquid Crystal Display Group

DEVICE SPECIFICATION FOR

TFT-LCD module

MODEL No. **LQ043T3DX02**

CUSTOMER'S APPROVAL

DATE _____

BY _____

PRESENTED

BY *T. Makii*

T. MAKII
 Department General manager
 Engineering Department II
 Mobile LCD Design Center II
 MOBILE LIQUID CRYSTAL DISPLAY GROUP
 SHARP CORPORATION

www.DataSheet4U.com

- This specification includes information and/or data that are subjected to Sharp's copyrights. Please see to it that this specification be handled with utmost care. No part may be copied without our permission.

- The examples of applications given herein are only intended for explaining typical applications of our product. Moreover, presenting this specification does not mean giving our warranty or licensing any industrial property rights or other rights. Besides, Sharp will not hold itself responsible for any issue that may arise with a third party on industrial property rights from or with regard to use of the product.

- This product has been developed and manufactured for applications to mobile instrument products.

- If this product is to be used for any other systems that require high reliability and safety in performance, accuracy, etc, such as transportation systems (aircrafts, trains, mobiles), security or fire-prevention systems, any other safety devices, etc, you are requested to allow for safety design of the entire system or device, such as fail-safe and redundancy design so as to maintain and assure its reliability and safety.

- Do not apply this product for aerospace systems, mainline communication systems, nuclear power control systems or medical equipment involved in life support that require high reliability and safety, as it is not intended for such use or application.

- Sharp shall not be liable for or indemnify any loss or damage that may arise from use or application of the product without observing our cautions, conditions, etc. as stated in this technical document.

- If there is anything unclear to you regarding the product, please contact our staff in charge of sales.

Contents

1. Applicable Scope	5
2. General Description	5
3. Mechanical (Physical) Specifications	5
4. Input Terminal Names and Functions	6
5. Absolute Maximum Ratings	7
6. Electrical Characteristics	8
7. Timing Characteristics of Input Signal	12
8. Input Signal and Display Color	15
9. Optical Characteristics	16
10. Handling of Modules	18
11. Delivery form	19
12. Reliability Test Conditions	20
13. Display Grade	20
14. Lot Number Marking	21
15. Others	21
16. Outline dimension	22
17. Packing style	23

1. Applicable Scope

This specification is applicable to TFT-LCD Module “LQ043T3DX02” only.

2. General Description

This module is a color active matrix LCD module incorporating amorphous silicon TFT(Thin Film Transistor). It is composed of a color TFT-LCD panel, driver ICs, Input FPC and a back light unit. Graphics and texts can be displayed on a 480×3×272 dots panel with about 16million colors by supplying 24bit data signals (8bit×RGB), Four timing signals, logic (typ. +2.5V), analog (typ. +5V) supply voltages for TFT-LCD panel driving and supply voltage for back light.

3. Mechanical (Physical) Specifications

Item	Specifications	Unit
Screen size	10.9 (4.3" type) diagonal	cm
Active area	95.04(H)×53.856(V)	mm
Pixel format	480×272	pixel
	1Pixel =R+G+B dots	
Pixel pitch	0.198(H)×0.198(V)	mm
Pixel configuration	R,G,B vertical stripes	
Display mode	Normally black	
Unit outline dimensions	105.5(W)×67.2(H)×3.95(D)	mm
Mass	50	g
Polarizer · Surface treatment	Clear hard coat	

※ The above-mentioned table indicates module sizes without some projections and FPC.

4. Input Terminal Names and Functions

4-1. TFT LCD Panel Driving (Reference Connector : Hirose Electric CO., LTD.Product No.: FH12A-40S-0.5SH(55) Top contact type)

※ The Bottom contact type can be selected according to side of mounted connector and terminal side of FPC.

Terminal No.	Terminal name	Function	Remarks
1	GND	GND(0V)	
2	GND	GND(0V)	
3	VCC	+2.5V power source	
4	VCC	+2.5V power source	
5	R0	RED Data Signal (LSB)	
6	R1	RED Data Signal	
7	R2	RED Data Signal	
8	R3	RED Data Signal	
9	R4	RED Data Signal	
10	R5	RED Data Signal	
11	R6	RED Data Signal	
12	R7	RED Data Signal (MSB)	
13	G0	GREEN Data Signal (LSB)	
14	G1	GREEN Data Signal	
15	G2	GREEN Data Signal	
16	G3	GREEN Data Signal	
17	G4	GREEN Data Signal	
18	G5	GREEN Data Signal	
19	G6	GREEN Data Signal	
20	G7	GREEN Data Signal (MSB)	
21	B0	BLUE Data Signal (LSB)	
22	B1	BLUE Data Signal	
23	B2	BLUE Data Signal	
24	B3	BLUE Data Signal	
25	B4	BLUE Data Signal	
26	B5	BLUE Data Signal	
27	B6	BLUE Data Signal	
28	B7	BLUE Data Signal (MSB)	
29	GND	GND(0V)	
30	CK	Clock signal to sample each date	
31	DISP	Display ON/OFF Signal	
32	Hsync	Horizontal synchronizing signal	
33	Vsync	Vertical synchronizing signal	
34	NC	NC	Note 1
35	AVDD	+5V Analog power source	
36	AVDD	+5V Analog power source	
37	NC	NC	Note 1
38	TEST1	TEST1	Note 2
39	TEST2	TEST2	Note 3
40	TEST3	TEST3	Note 3

Note 1) They have been open within FPC.

Note 2) Please be sure to set 38 pins (TEST1) to open.

Note 3) Please be sure to connect 39 pin (TEST2) ,40 pin (TEST3) with GND.

4-2. Backlight

0.5mmP 4Pin FPC (Reference Connector :Kyocera Elco Corporation Product No. : 6298 Bottom contact type)

※ The Bottom contact type can be selected according to side of mounted connector and terminal side of FPC.

Terminal No.	Signal	Function
1	V _{LED-}	LED Power Source Input terminal (Cathode side)
2	NC	No Connection
3	NC	No Connection
4	V _{LED+}	LED Power Source Input terminal (Anode side)

5. Absolute Maximum Ratings

Item	Symbol	Conditions	Rated value	Unit	Remarks
Input voltage	V _I	Ta=25°C	-0.3 ~ VCC+0.3	V	【Note 1】
2.5 V Power supply voltage	VCC	Ta=25°C	0 ~ +4.5	V	
5 V Power supply voltage	AVDD	Ta=25°C	0 ~ +6.0	V	
Temperature for storage	T _{stg}	—	-25 ~ +60	°C	【Note 2】
Temperature for operation	T _{opa}	—	-10 ~ +50	°C	【Note 3】
LED Input electric current	I _{LED}	Ta=25°C	25	mA	【Note 4】
LED electricity consumption	P _{LED}	Ta=25°C	100	mW	【Note 4】

【Note 1】 CK,R0~R7,G0~G7,B0~B7,Hsync,Vsync,DISP

【Note 2】 Humidity : 80%RHMax. (Ta ≤ 40°C)

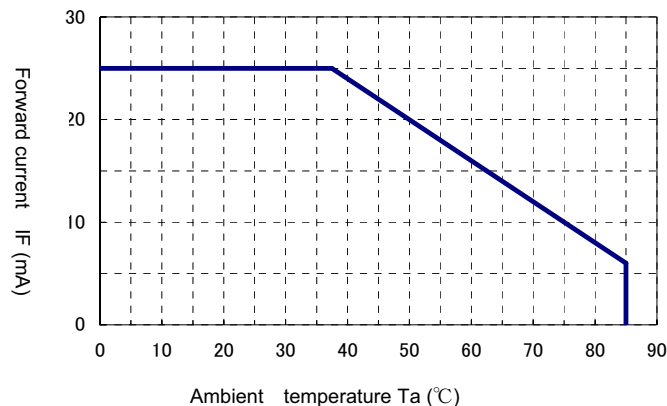
Maximum bulb temperature under 39°C (Ta > 40°C) See to it that no dew will be condensed.

【Note 3】 Panel surface temperature prescribes.

(Reliability is examined at ambient temperature of 50°C.)

【Note 4】 Power consumption of one LED (Ta=25°C) (use LED NESW008B 7pieces)

Ambient temperature and the maximum input are fulfilling the following operating conditions.



Ambient temperature and the maximum input

6. Electrical Characteristics

6-1. TFT LCD Panel Driving

Ta = 25°C

Item		Symbol	Min.	Typ.	Max.	Unit	Remarks
+2.5V power supply	DC voltage	VCC	+2.3	+2.5	+3.3	V	【Note 1】
	DC Current	ICC		1.2	3	mA	【Note 3】
+5V power supply	DC voltage	AVDD	+4.8	+5.0	+5.2	V	【Note 1】
	DC Current	I _{AVDD}		10	18	mA	【Note 3】
Permissive Input ripple voltage		V _{RFVCC}			100	mVp-p	V _{CC} =+2.5V
		V _{RFAVDD}			100	mVp-p	V _{CC} =+5.0V
Input voltage (Low)		V _{IL}			0.2 V _{CC}	V	【Note 4】
Input voltage (High)		V _{IH}	0.8 V _{CC}			V	
Input current (Low)		I _{OL}			4.0	μA	V _I =0V 【Note 4】
Input current (High)		I _{OH}			4.0	μA	V _I =2.5V 【Note 4】

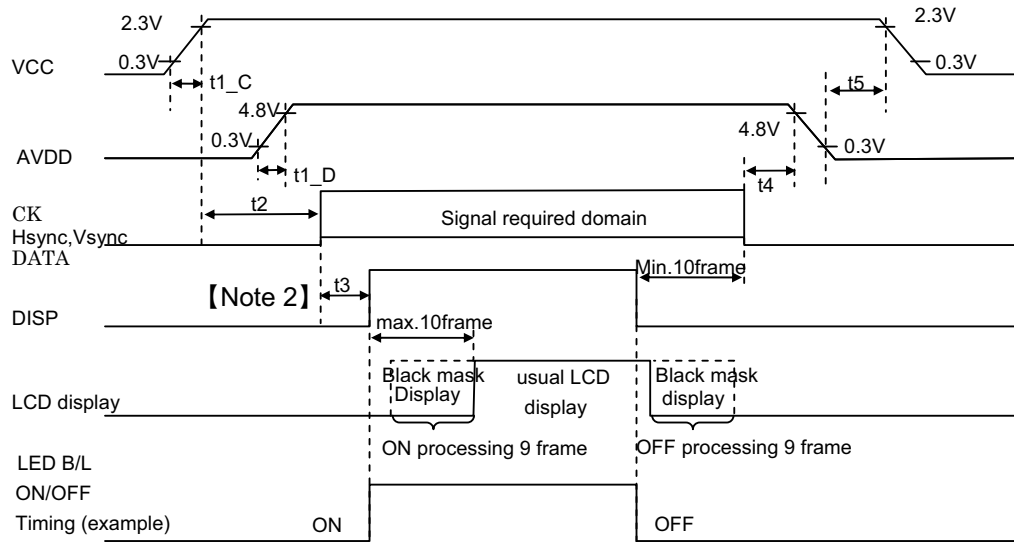
※ The rush current will flows when power supply is turned on, so please design the power supply circuit referring to 【Note 5】

(The rush current changes according to the condition of the supply voltage value, rising time and so on.)

[Note 1]

Sequences of supply voltage and signals

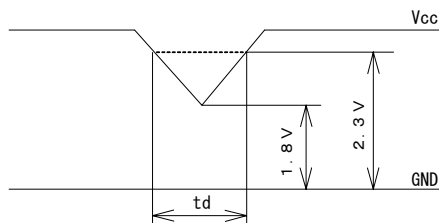
www.DataSheet4U.com



- ◎ Please do not supply AVDD before VCC.
- ◎ It discharges and boost up voltage for TFT module on the basis of a DISP-signal
It drives Max-10 frames (about 0.2seconds) from change of DISP-signals by reasons that
It takes time for 9 frames while each processing operation.
Therefore, the display start is delayed for 10 frames and Ten or more frames needs to be
voltage maintained at the time of a display end.
- ◎ It is not problem to set up DISP=L , AVDD=GND when VCC voltage is supplied
- ◎ Please don't set various signals to Hi-Z when VCC-voltage is supplied
in reason that those signals are CMOS input.
- ◎ Don't change DISP signal into the state of H level When AVDD voltage is in the state of GND.
- ◎ The ON/OFF timing of LED Back Light is an example.

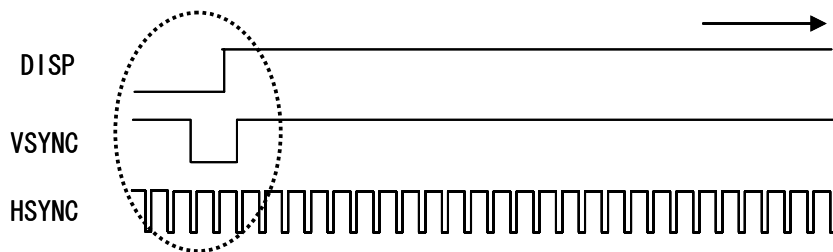
	MIN	TYP	MAX	unit	Remarks
t1_C	0	—	10	ms	
t1_D	0.5	—	10	ms	
t2	50	—	—	ms	
t3	0.5	—	—	ms	[Note 2]
t4	0	—	—	ms	
t5	0	—	—	ms	

Dip Conditions for supply voltage

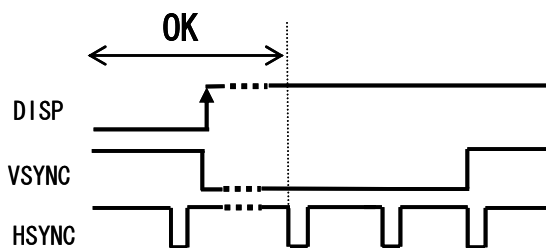


$t_d \leq 10ms$

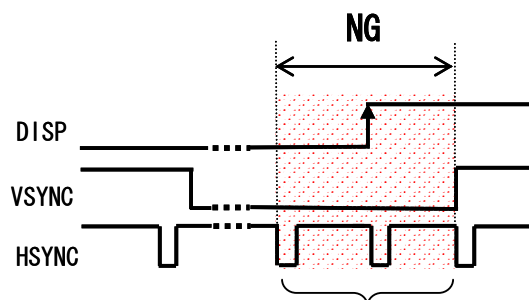
【Note 2】 While “VSYNC” is “Low”, don’t change “DISP” signal “Low” to “High”.



【 Allowed Timing 】



【 Prohibited Timing 】



2x HSYNC period right before
“VSYNC” changes from “Low” to “High” .

【Note 3】 Typical current situation: 256-gray-bar pattern VCC=2.5V AVDD=5.0V



【Note 4】 CK, R0~R7, G0~G7,B0~B7,Hsync,Vsync,DISP

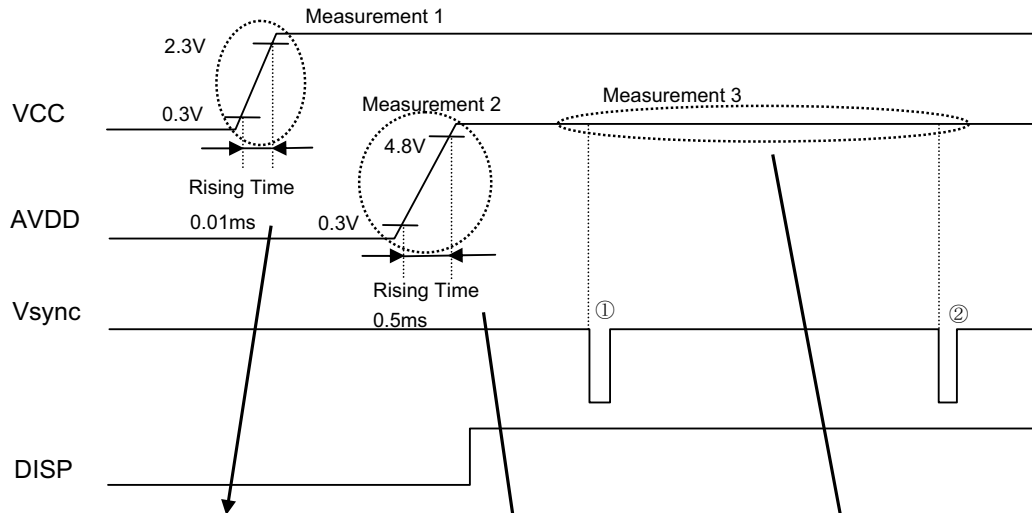
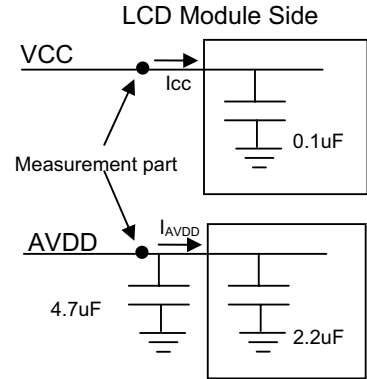
【 Note 5 】

www.DataSheet4U.com

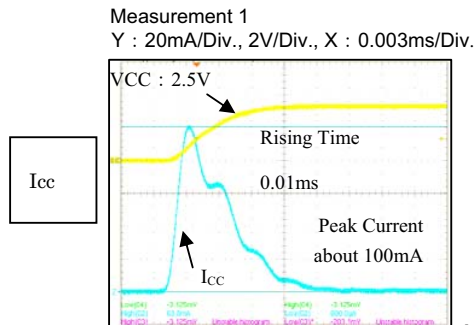
An example of rush current measurement

◎ Measurement conditions

- Power supply voltage VCC : 2.5V AVDD : 5.0V
- Disp signal : OFF ⇒ ON
- Other input signals : GND
- Measurement system : refer to right Fig.
- rush current measurement timing : refer to following Fig.

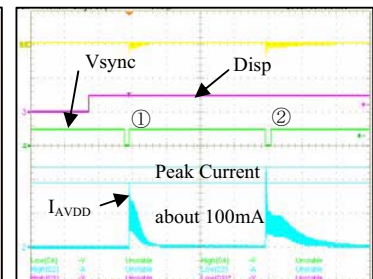
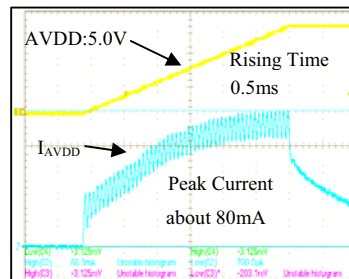


◎ Measurement Example



IAVDD

Measurement 2 Y : 20mA/Div., 2V/Div., X : 0.08ms/Div. Measurement 3 Y : 50mA/Div., 5V/Div., X : 4ms/Div.



These rush current won't flow stationary, these will flow at the timing shown in Measurement 3.

6-2. Back light driving

The back light system has seven LEDs

[NESW008B]

Parameter	Symbol	Min.	Typ.	Max.	Unit	Remark
Rated Voltage	V_{BL}	—	—	29.4	V	
Rated Current	I_L	—	18	20	mA	Ta=25°C

7. Timing characteristics of input signals

An input signal timing waveform is shown in Fig. 2.

7-1 Timing characteristics

Parameter		Symbol	Min.	Typ.	Max.	Unit	Remark
Clock	Frequency	1/Tc	7.83	9.00	9.26	MHz	
	Duty ratio	Th/T	40	50	60	%	
Data	Set up time	Tds	25	—	—	ns	
	Hold time	Tdh	25	—	—	ns	
Horizontal synchronizing	Period	TH	—	525	—	Clock	
	Pulse width	THp	—	41	—	Clock	
	Horizontal period	THd	—	480	—	Clock	
	Back porch	THb	—	2	—	Clock	
	Front porch	THf	—	2	—	Clock	
Vertical synchronizing	Period	TV	—	286	—	Line	
	Pulse width	TVp	—	10	—	Line	
	Vertical period	TVd	—	272	—	Line	
	Back porch	TVb	—	2	—	Line	
	Front porch	TVf	—	2	—	Line	

- [Note]**
- In case of using the slow frequency, the deterioration of display, flicker etc may occur.
 - The timing characteristics are basically fixed as above.

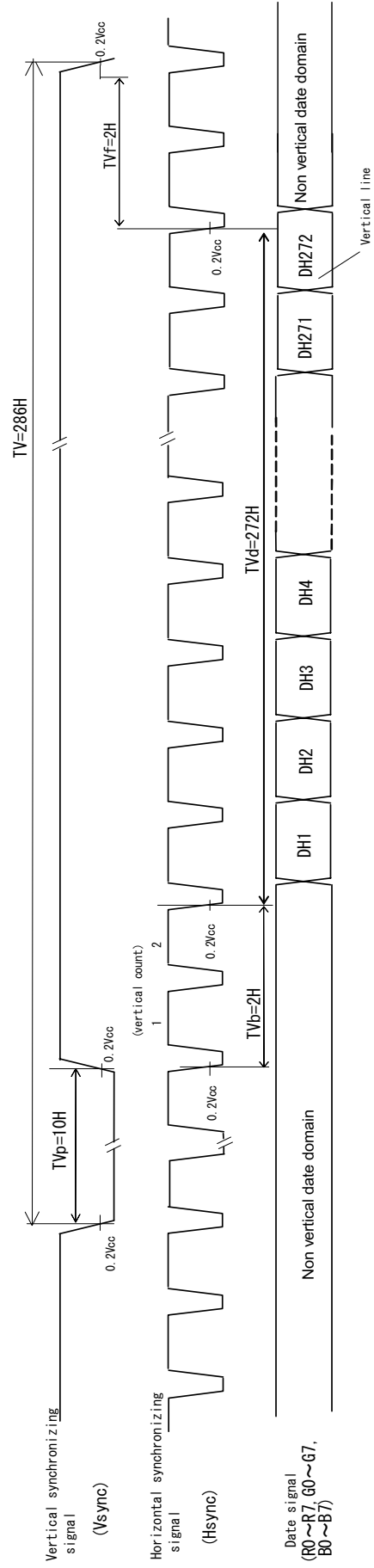
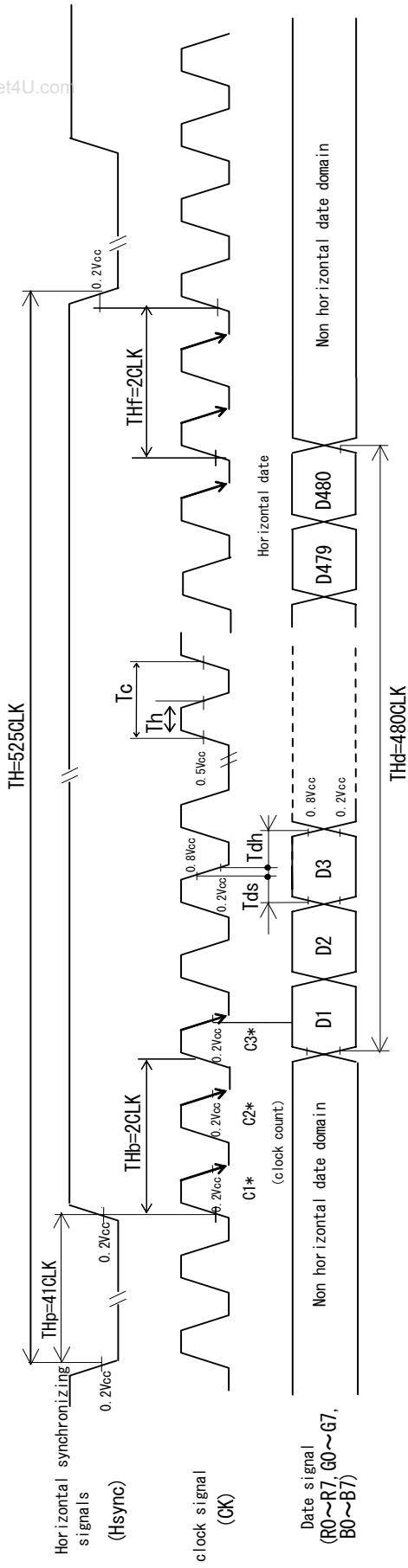
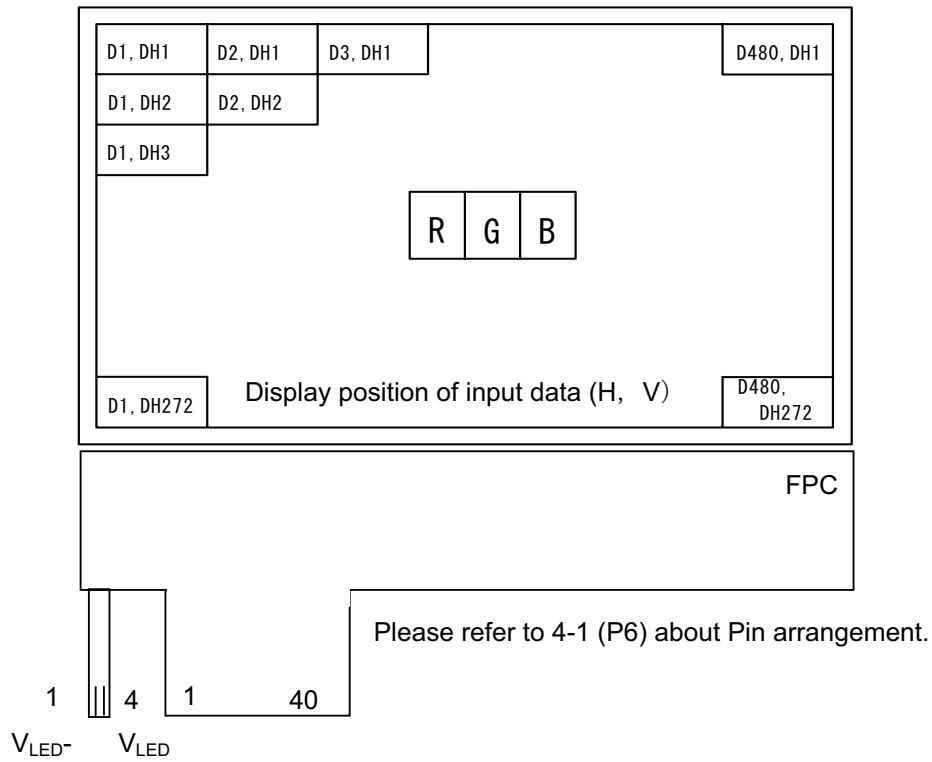


Fig 2 Input signal timing

7-3 Input Data Signals and Display Position on the screen

www.DataSheet4U.com



Please refer to 4-2 about LED side Pin arrangement.

8. Input Signals, Basic Display Colors and Gray Scale of Each Color

Colors & Gray Scale		Data signal																								
		Gray Scale	R0	R1	R2	R3	R4	R5	R6	R7	G0	G1	G2	G3	G4	G5	G6	G7	B0	B1	B2	B3	B4	B5	B6	B7
			LSB	MSB							LSB	MSB							LSB	MSB						
Basic Color	Black	—	0	0	0	0	0	0	0	0	0	0	0	0	0	0	0	0	0	0	0	0	0	0	0	0
	Blue	—	0	0	0	0	0	0	0	0	0	0	0	0	0	0	0	0	1	1	1	1	1	1	1	1
	Green	—	0	0	0	0	0	0	0	0	1	1	1	1	1	1	1	1	0	0	0	0	0	0	0	0
	Cyan	—	0	0	0	0	0	0	0	0	1	1	1	1	1	1	1	1	1	1	1	1	1	1	1	1
	Red	—	1	1	1	1	1	1	1	1	0	0	0	0	0	0	0	0	0	0	0	0	0	0	0	0
	Magenta	—	1	1	1	1	1	1	1	1	0	0	0	0	0	0	0	0	1	1	1	1	1	1	1	1
	Yellow	—	1	1	1	1	1	1	1	1	1	1	1	1	1	1	1	1	0	0	0	0	0	0	0	0
	White	—	1	1	1	1	1	1	1	1	1	1	1	1	1	1	1	1	1	1	1	1	1	1	1	1
Gray Scale of Red	Black	GS0	0	0	0	0	0	0	0	0	0	0	0	0	0	0	0	0	0	0	0	0	0	0	0	0
	↑	GS1	1	0	0	0	0	0	0	0	0	0	0	0	0	0	0	0	0	0	0	0	0	0	0	0
	Darker	GS2	0	1	0	0	0	0	0	0	0	0	0	0	0	0	0	0	0	0	0	0	0	0	0	0
	↑	↓	↓							↓							↓									
	↓	↓	↓							↓							↓									
	Brighter	GS253	1	0	1	1	1	1	1	1	0	0	0	0	0	0	0	0	0	0	0	0	0	0	0	0
	↓	GS254	0	1	1	1	1	1	1	1	0	0	0	0	0	0	0	0	0	0	0	0	0	0	0	0
	Red	GS255	1	1	1	1	1	1	1	1	0	0	0	0	0	0	0	0	0	0	0	0	0	0	0	0
Gray Scale of Green	Black	GS0	0	0	0	0	0	0	0	0	0	0	0	0	0	0	0	0	0	0	0	0	0	0	0	0
	↑	GS1	0	0	0	0	0	0	0	0	1	0	0	0	0	0	0	0	0	0	0	0	0	0	0	0
	Darker	GS2	0	0	0	0	0	0	0	0	0	1	0	0	0	0	0	0	0	0	0	0	0	0	0	0
	↑	↓	↓							↓							↓									
	↓	↓	↓							↓							↓									
	Brighter	GS253	0	0	0	0	0	0	0	0	1	0	1	1	1	1	1	1	0	0	0	0	0	0	0	0
	↓	GS254	0	0	0	0	0	0	0	0	0	1	1	1	1	1	1	1	0	0	0	0	0	0	0	0
	Green	GS255	0	0	0	0	0	0	0	0	1	1	1	1	1	1	1	1	0	0	0	0	0	0	0	0
Gray Scale Blue	Black	GS0	0	0	0	0	0	0	0	0	0	0	0	0	0	0	0	0	0	0	0	0	0	0	0	0
	↑	GS1	0	0	0	0	0	0	0	0	0	0	0	0	0	0	0	0	1	0	0	0	0	0	0	0
	Darker	GS2	0	0	0	0	0	0	0	0	0	0	0	0	0	0	0	0	0	1	0	0	0	0	0	0
	↑	↓	↓							↓							↓									
	↓	↓	↓							↓							↓									
	Brighter	GS253	0	0	0	0	0	0	0	0	0	0	0	0	0	0	0	0	1	0	1	1	1	1	1	1
	↓	GS254	0	0	0	0	0	0	0	0	0	0	0	0	0	0	0	0	0	1	1	1	1	1	1	1
	Blue	GS255	0	0	0	0	0	0	0	0	0	0	0	0	0	0	0	0	1	1	1	1	1	1	1	1

0 : Low level voltage 1 : High level voltage

Each basic color can be displayed in 256 gray scales from 8 bit data signals. According to the combination of 24 bit data signals, the 16-million-color display can be achieved on the screen.

9. Optical Characteristics

Module characteristics

www.DataSheet4U.com

Ta = 25°C, VCC = +2.5V, AVDD = 5.0V

Parameter		Symbol	Condition	Min.	Typ.	Max.	Unit	Remark
Viewing angle range	Horizontal	$\theta_{21, \theta_{22}}$	CR > 10	—	80	—	Deg.	【Note1,4】
	Vertical	θ_{11}		—	80	—	Deg.	
		θ_{12}		—	80	—	Deg.	
Contrast ratio		CR	$\theta=0^\circ$	100	400	—		【Note2,4】
Response Time	Rise	τ_r	$\theta=0^\circ$	—	30	45	ms	【Note3,4】
	Decay	τ_d		—	30	45	ms	
Chromaticity of White		x		0.246	0.296	0.346		【Note4】
		y		0.293	0.343	0.393		
Luminance of white		X _{L1}		—	165	—	cd/m ²	I _{LED} =18mA 【Note4】

※ The optical characteristics measurements are operated under a stable luminescence(I_{LED} = 18mA) and a dark condition. (refer to Fig.3)

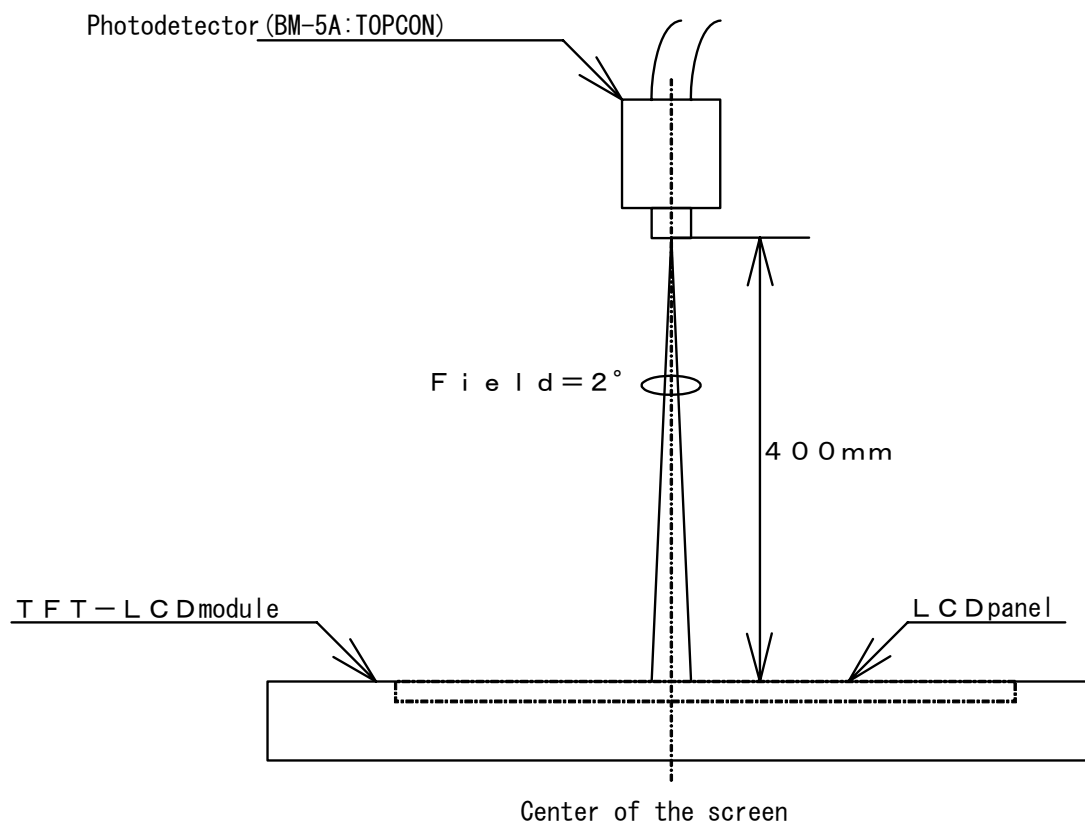
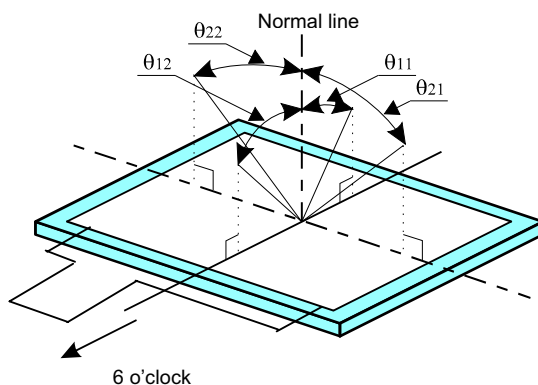


Fig. 3 Optical characteristics measurement method

【 Note 1 】 Definitions of viewing angle range

www.DataSheet4U.com



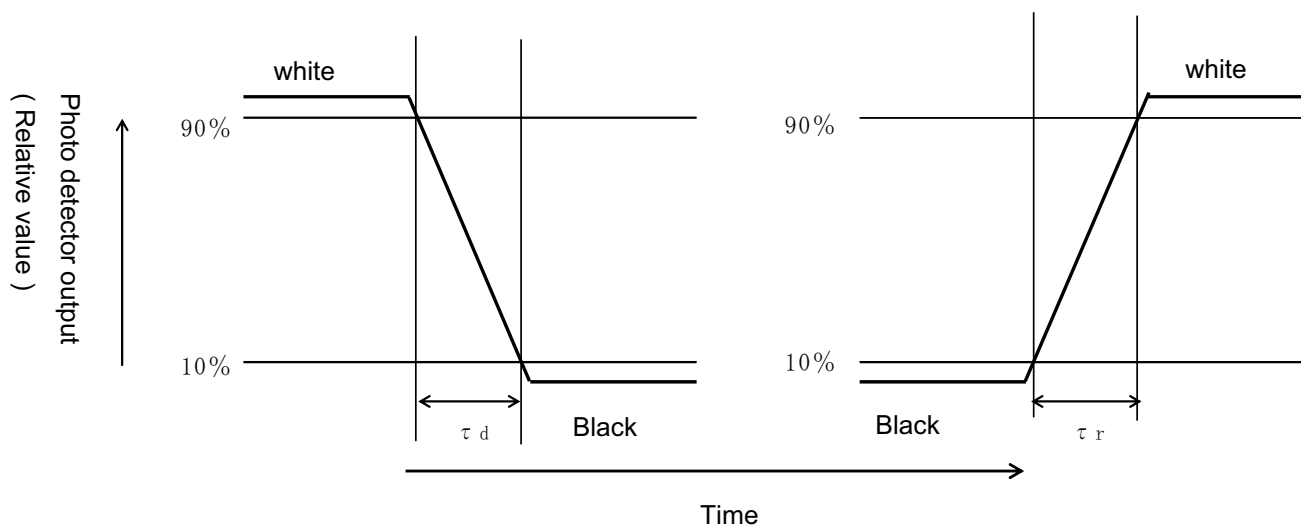
【 Note 2 】 Definition of contrast ratio

The contrast ratio is defined as the following

$$\text{Contrast ratio(CR)} = \frac{\text{Luminance (brightness) with all pixels white}}{\text{Luminance (brightness) with all pixels black}}$$

【 Note 3 】 Definition of response time

The response time is defined as the following figure and shall be measured by switching the input signal for "black" and "white"



【 Note 4 】 This shall be measured at center of the screen.

10. Handling of modules

10-1 Inserting the FPC into its connector and pulling it out.

- ① Be sure to turn off the power supply and the signals when inserting or disconnecting the cable.
- ② Please insert for too much stress not to join FPC in the case of insertion of FPC.

10-2 About handling of FPC

- ① The bending radius of the FPC should be more than 1.4mm, and it should be bent evenly.
- ② Do not dangle the LCD module by holding the FPC, or do not give any stress to it.

10-3 Mounting of the module

- ① The module should be held on to the plain surface. Do not give any warping or twisting stress to the module.
- ② Please consider that GND can ground a modular metal portion etc. so that static electricity is not charged to a module.

10-4 Cautions in assembly / Handling pre cautions.

As the polarizer can be easily scratched, be most careful in handling it.

- ① Work environments in assembly.

Working under the following environments is desirable:

- a) Implement more than $1M\Omega$ conductive treatment (by placing a conductive mat or applying Conductive paint) on the floor or tiles.
 - b) No dusts come in to the working room. Place an adhesive, anti-dust mat at the entrance of the room.
 - c) Humidity of 50~70% and temperature of 15~27°C are desirable.
 - d) All workers wear conductive shoes, conductive clothes, conductive fingerstalls and grounding belts without fail.
 - e) Use a blower for electrostatic removal. Set it in a direction slightly tilt downward so that each Module can be well subjected to its wind. Set the blower at an optimum distance between the blower and the module.
- ② How the remove dust on the polarizer
 - a) Blow out dust by the use of an N2 blower with antistatic measures taken. Use of an ionized air Gun is recommendable.
 - b) When the panel surface is soiled, wipe it with soft cloth.
 - ③ In the case of the module's metal part (shield case) is stained, wipe it with a piece of dry, soft cloth. If rather difficult, give a breath on the metal part to clean better.
 - ④ If a water dropped, etc. remains stuck on the polarizer for a long time, it is apt to get discolored or cause stains. Wipe it immediately.
 - ⑤ As a glass substrate is used for the TFT-LCD panel, if it is dropped on the floor or hit by something hard, it may be broken or chipped off.
 - ⑥ Since CMOS LSI is used in this module, take care of static electricity and take the human earth into consideration when handling.

10-5 Others

① Regarding storage of LCD modules, avoid storing them at direct sunlight-situation.

You are requested to store under the following conditions:

(Environmental conditions of temperature/humidity for storage)

(1) Temperature: 0~40°C

(2) Relative humidity : 95% or less

- As average values of environments (temperature and humidity) for storing, use the following control guidelines:

Summer season: 20~35°C, 85% or less Winter season: 5~15°C, 85% or less

- If stored under the conditions of 40°C and 95% RH, cumulative time of storage must be less than 240 hours.

② If stored at temperatures below the rated values, the inner liquid crystal may freeze, causing cell destruction. At temperatures exceeding the rated values for storage, the liquid crystal may become isotropic liquid, making it no longer possible to come back to its original state in some cases.

③ If the LCD is broken, do not drink liquid crystal in the mouth. If the liquid crystal adheres to a hand or foot or to clothes, immediately cleanse it with soap.

④ If a water drop or dust adheres to the polarizer, it is apt to cause deterioration. Wipe it immediately.

⑤ Be sure to observe other caution items for ordinary electronic parts and components.

11. Delivery Form

11-1 . Carton storage conditions

1) Carton piling-up: Max 8 rows

2) Environments

Temperature: 0~40°C

Humidity: 65% RH or less (at 40°C)

There should be no dew condensation even at a low temperature and high humidity.

3)Packing form : As shown in Figure 4.

※Cartons are weak against damp, and they are apt to be smashed easily due to the compressive pressure applied when piled up. The above environmental conditions of temperature and humidity are set in consideration of reasonable pile-up for storage.

11-2. Packing composition

Name	quantity	Note
Carton size	1	575×360×225 (mm)
Tray ----- (The number of Module)	12	Material : Electrification prevention polypropylene 8 unit / tray : 80unit/carton
Electrification prevention bag	2	Material : Electrification prevention polyethylene 680mm(length)×500mm(depth)×50μm(thin)

Carton weight (80unit):8kg

12. Reliability test items

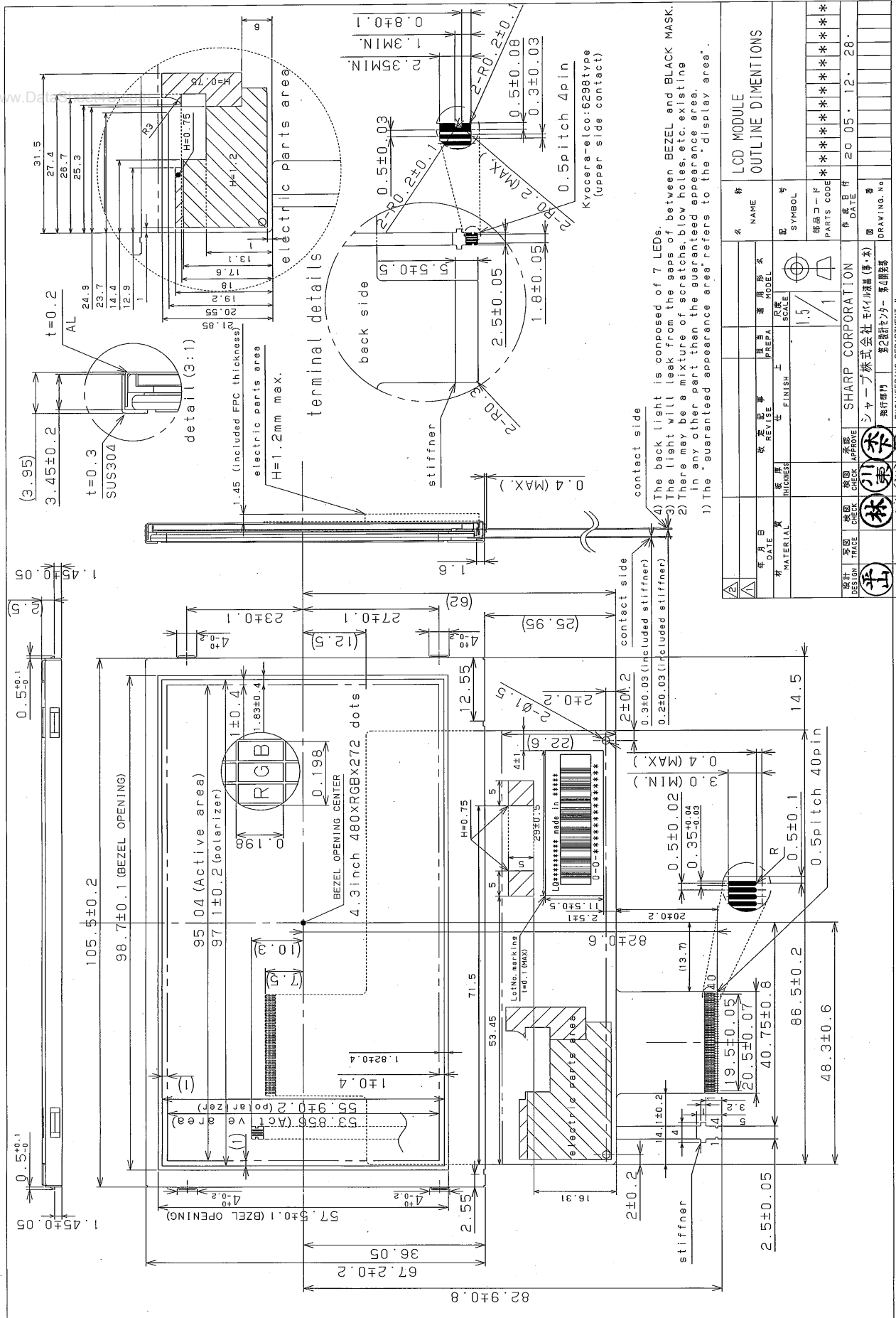
No.	Test item	Conditions
1	High temperature storage test	Ta = 60°C 240h
2	Low temperature storage test	Ta = -25°C 240h
3	High temperature & high humidity operation test	Ta = 40°C ; 95%RH 240h (No condensation)
4	High temperature operation test	Ta = 50°C 240h (The panel temp. must be less than 50°C)
5	Low temperature operation test	Ta = -10°C 240h
6	Vibration test (non- operating)	Frequency : 10~55Hz/Vibration width (one side) : 1.5mm Sweep time : 1minutes Test period : (2 hours for each direction of X,Y,Z)
7	Shock test	Direction : ±X, ±Y, ±Z, Time : Third for each direction. Impact value : 100G Action time 6ms
8	Thermal shock test	Ta=-25°C~60°C /10 cycles (30 min) (30min)

【Result Evaluation Criteria】

Under the display quality test conditions with normal operation state, these shall be no change which may affect practical display function.

13. Display Grade

The standard regarding the grade of color LCD displaying modules should be based on the delivery inspection standard.



4) The back light is composed of 7 LEDs.
 5) The light will leak from the gaps of bezel and black mask.
 6) There may be a mixture of scratches, blow holes, etc. existing in any other part than the guaranteed appearance area.
 7) The "guaranteed appearance area" refers to the "display area".

年 月 日 DATE	版 次 REVISION	製 造 部 PREPARE	品 名 MODEL	名 称 NAME
材 質 MATERIAL	厚 度 THICKNESS	仕 上 げ FINISH	縮 小 率 SCALE	記 号 SYMBOL
設 計 DESIGN	検 査 CHECK	検 査 CHECK	認 可 APPROVE	部 品 代 号 PARTS CODE
設 計 者 DESIGNER	検 査 者 CHECKER	検 査 者 CHECKER	認 可 者 APPROVER	作 業 日 付 DATE
設 計 課 DESIGN CENTER	検 査 課 CHECK CENTER	検 査 課 CHECK CENTER	認 可 課 APPROVE CENTER	製 品 番 号 DRAWING No.

[Contents of the barcode label and the instruction of sticking]
 Stick the barcode label on the detail frame of the master carton with the upper right joined with each other.



TYPE	TYPE
QUANTITY	QUANTITY
LOT/DATE	LOT/DATE

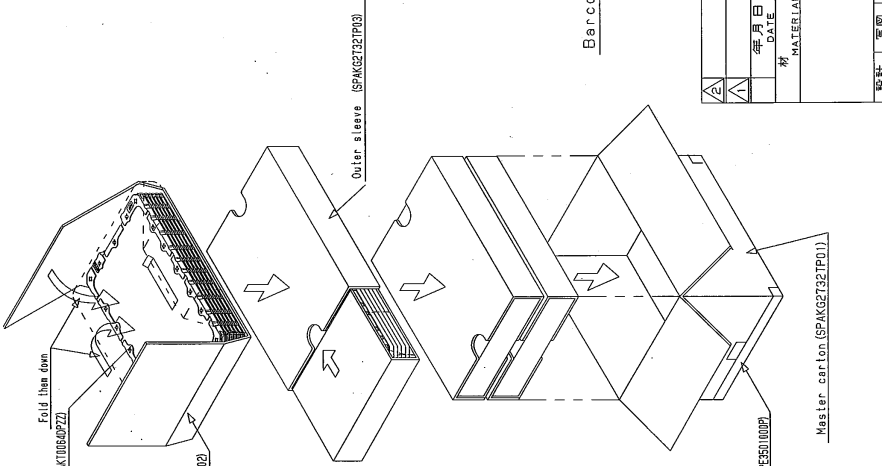
Barcode label (TLABK2001TPZZ)

- [How to store the LCD modules in the package trays]
1. Clear the package trays and the modules of dust and remove static electricity from them with the static eliminator.
 2. Place the LCD modules with the screen side facing upward and arrange 8 of them in 2 horizontal lines and 4 vertical lines on a package tray so that the FFC parts on the modules come alternately.*
 3. Make sure that the LCD modules are placed in each storage space of the package tray.
 (Check especially whether the LCD modules are not left loose on the tray and whether they are not placed in reverse.)
 4. Pile 5 package trays with the LCD modules placed right and put an empty package tray on top of the piles.
 (Pile the package trays with the round corner joined with each other, and do not pile up the package trays in reverse)
- *1 Sterilize the module in the space closest to the round corner of the package tray as a datum. Continue placing the next one to the right until 4 of them are completely placed horizontally. And then arrange the other 4 of them from the right to the left on the front side.
 (Don't start placing them from the front side)
 *2 Make sure that 6 of the package trays are placed in a sleeve even if there are some fraction trays.

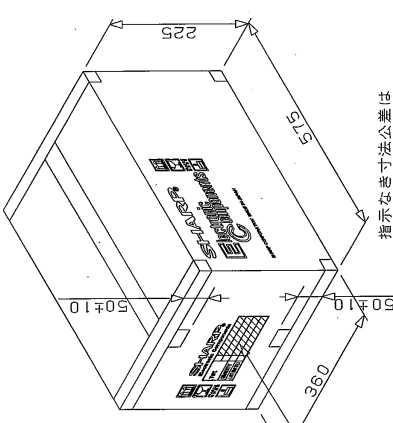
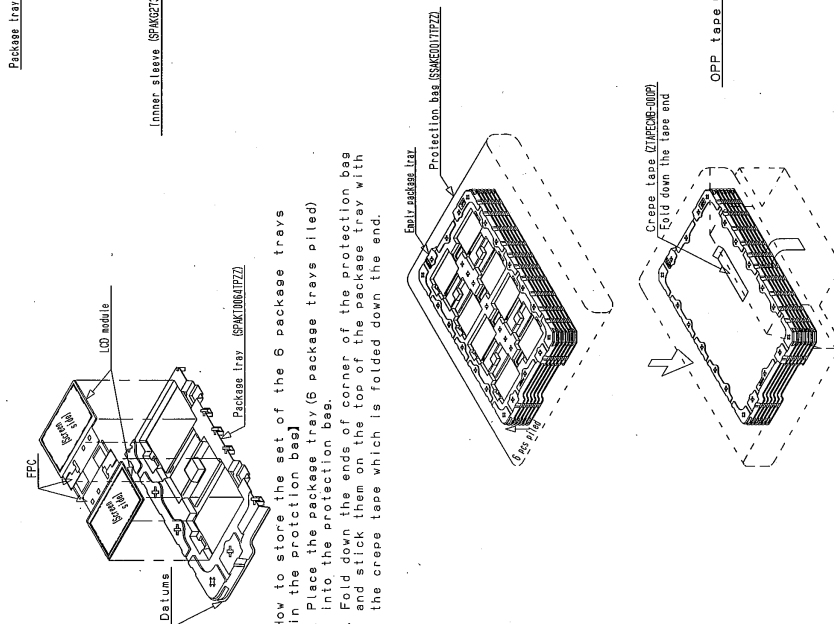
[Packing specification]

Quantity: 2 boxes x 4 levels = 8 / tray, 8 x 5 trays = 40 / sleeve, 40 x 2 sleeves = 80 LCD modules / ctn
 The dim. of ctn: 575x360x225 (H) The lim. of piling up: 8 ctn

Description	Part code	Qty
Set of package (Master carton)	SPAKG2732TPZZ (SPAKG2732TP01)	1/80
(Inner sleeve)	(SPAKG2732TP02)	(1/80)
(Outer sleeve)	(SPAKG2732TP03)	(2/80)
Package tray	SPAKT0064TPZZ	12/80
Protection bag	SSAKE001TPZZ	2/80
Crepe tape	ZTAPECNB-000P 40x40/80	40x40/80
OPP tape	ZTAPES501000P 323x40/60	323x40/60
Barcode label	TLABK2001TPZZ	1/80



- [How to store the set of the 6 package trays in the carton]
1. The set of the 6 package trays in a protection bag is placed in an inner sleeve and inserted in an outer sleeve.
 (Make sure that the whole protection bag is accessed in the outer sleeve without any parts of the bag being out of the sleeve.)
 2. Seal the center and both sides of the bottom of the master carton with OPP tape forming an "H" pattern and pile up 2 of the outer sleeves.
 3. Seal the center and both sides of the top of the master carton with OPP tape forming an "H" pattern.
 4. Stick a barcode label on the detail frame of the master carton.



指示なき方法公善仕 UNSPECIFIED TOL TO BE

年 月 日 DATE	改定記号 REVISE	材 質 MATERIAL	厚 度 THICKNESS	仕 工 FINISH	技 術 名 TECH. NO	通 用 機 種 MODEL	名 称 NAME
						LQ043T3DX02	Procedure of Packing
尺 度 SCALE	1/10						
記 号 SYMBOL							
部 品 名 称 PARTS CODE							
作 成 日 付 DATE	2005. 12. 28.						
図 番 DRAWING NO.							

Figure 4 Packing style

SPECIFICATIONS ARE SUBJECT TO CHANGE WITHOUT NOTICE.

Suggested applications (if any) are for standard use; See Important Restrictions for limitations on special applications. See Limited Warranty for SHARP's product warranty. The Limited Warranty is in lieu, and exclusive of, all other warranties, express or implied. ALL EXPRESS AND IMPLIED WARRANTIES, INCLUDING THE WARRANTIES OF MERCHANTABILITY, FITNESS FOR USE AND FITNESS FOR A PARTICULAR PURPOSE, ARE SPECIFICALLY EXCLUDED. In no event will SHARP be liable, or in any way responsible, for any incidental or consequential economic or property damage.

SHARP®

NORTH AMERICA

SHARP Microelectronics of the Americas
5700 NW Pacific Rim Blvd.
Camas, WA 98607, U.S.A.
Phone: (1) 360-834-2500
Fax: (1) 360-834-8903
Fast Info: (1) 800-833-9437
www.sharpsma.com

EUROPE

SHARP Microelectronics Europe
Division of Sharp Electronics (Europe) GmbH
Sonninstrasse 3
20097 Hamburg, Germany
Phone: (49) 40-2376-2286
Fax: (49) 40-2376-2232
www.sharpsme.com

JAPAN

SHARP Corporation
Electronic Components & Devices
22-22 Nagaike-cho, Abeno-Ku
Osaka 545-8522, Japan
Phone: (81) 6-6621-1221
Fax: (81) 6117-725300/6117-725301
www.sharp-world.com

TAIWAN

SHARP Electronic Components
(Taiwan) Corporation
8F-A, No. 16, Sec. 4, Nanking E. Rd.
Taipei, Taiwan, Republic of China
Phone: (886) 2-2577-7341
Fax: (886) 2-2577-7326/2-2577-7328

SINGAPORE

SHARP Electronics (Singapore) PTE., Ltd.
438A, Alexandra Road, #05-01/02
Alexandra Technopark,
Singapore 119967
Phone: (65) 271-3566
Fax: (65) 271-3855

KOREA

SHARP Electronic Components
(Korea) Corporation
RM 501 Geosung B/D, 541
Dohwa-dong, Mapo-ku
Seoul 121-701, Korea
Phone: (82) 2-711-5813 ~ 8
Fax: (82) 2-711-5819

CHINA

SHARP Microelectronics of China
(Shanghai) Co., Ltd.
28 Xin Jin Qiao Road King Tower 16F
Pudong Shanghai, 201206 P.R. China
Phone: (86) 21-5854-7710/21-5834-6056
Fax: (86) 21-5854-4340/21-5834-6057

Head Office:

No. 360, Bashen Road,
Xin Development Bldg. 22
Waigaoqiao Free Trade Zone Shanghai
200131 P.R. China
Email: smc@china.global.sharp.co.jp

HONG KONG

SHARP-ROXY (Hong Kong) Ltd.
3rd Business Division,
17/F, Admiralty Centre, Tower 1
18 Harcourt Road, Hong Kong
Phone: (852) 28229311
Fax: (852) 28660779
www.sharp.com.hk
Shenzhen Representative Office:
Room 13B1, Tower C,
Electronics Science & Technology Building
Shen Nan Zhong Road
Shenzhen, P.R. China
Phone: (86) 755-3273731
Fax: (86) 755-3273735