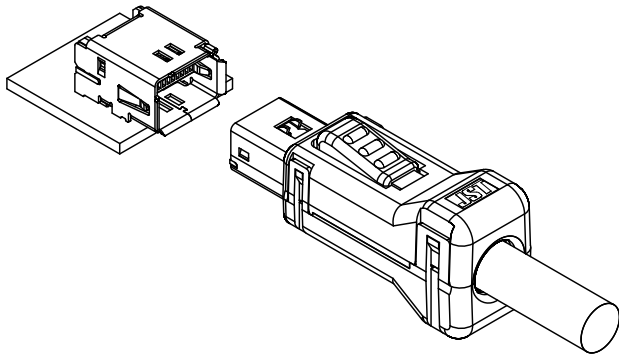


MUF CONNECTOR

0.8 mm pitch / For Interface



This connector is the shielded interface connector with locking mechanism.

- Plug side: Easy assembling method
- Receptacle side:
The miniaturization is realized.
DIP and SMT types are available.

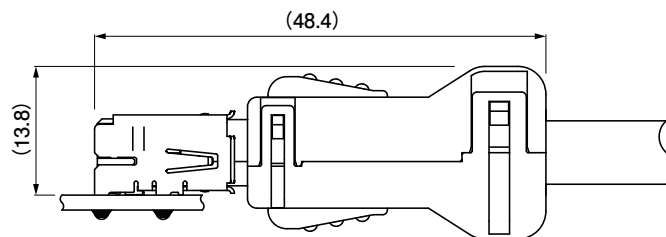
Standards

Ⓜ: Recognized E 60389

Specifications

- Current rating: 1.0 A AC/DC
 - Voltage rating: 30 V AC/DC
 - Temperature range: $-55^{\circ}\text{C} \sim +85^{\circ}\text{C}$
(including temperature rise in applying electrical current)
 - Applicable wire: AWG#28 to #24
Conductor insulation O.D./ 1.2 mm max.
Cable O.D./ 6.8 mm max.
 - Applicable PC board thickness: 1.6 mm
- * Please note that the above general specifications may differ from the safety standards.
* In using the products, refer to "Handling Precautions for Terminals and Connectors" described on our website (Technical documents of Product information page).
* RoHS2 compliance
* Dimensional unit: mm
* Contact JST for details.

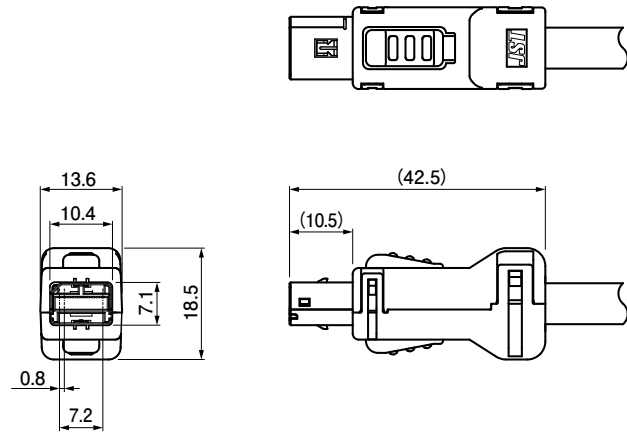
Assembly layout



Assembly layout of the DIP type and SMT type is the same.

Plug

Assembly layout (Reference)



No. of circuits	Keying	Model number	Q'ty/box
10	X	MUF-PK10K-X	45

Material and Finish

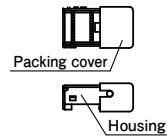
Contact : Copper alloy, nickel-undercoated, selective gold-plated
 Housing : Thermoplastic resin, UL94V-0, black
 Metal shell A, B : Metal shell / Copper alloy, nickel-undercoated, tin-plated
 Plug lock : Stainless
 Cover housing A, B : Thermoplastic resin, UL94V-0, black
 Cable clamp : Steel, nickel-undercoated, tin-plated
 Screw : Steel, copper-undercoated, nickel-plated

RoHS2 compliance

Kit parts

Housing

(with packing cover)



Cable clamp

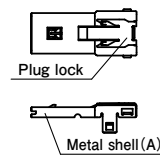


Screw (2 pcs.)

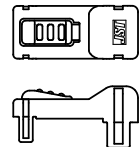


Metal shell (A)

[Lock Ass'y]

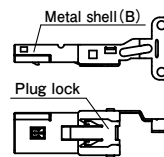


Cover housing (B)

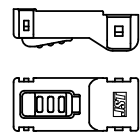


Metal shell (B)

[Lock Ass'y]

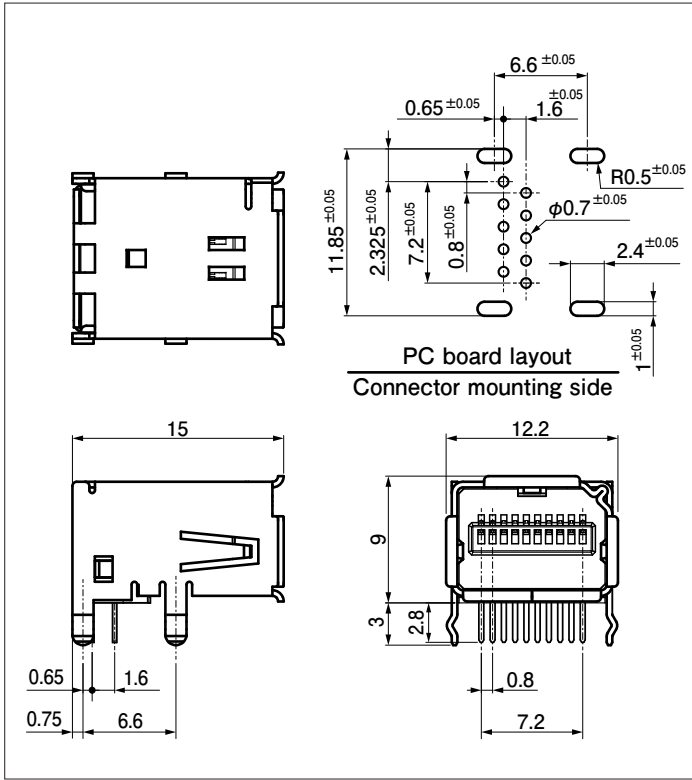


Cover housing (A)



MUF CONNECTOR

Receptacle (DIP type)



No. of circuits	Keying	Model No.	Q'ty/box
10	X	MUF-RS10DK-GKXR	105

Material and Finish

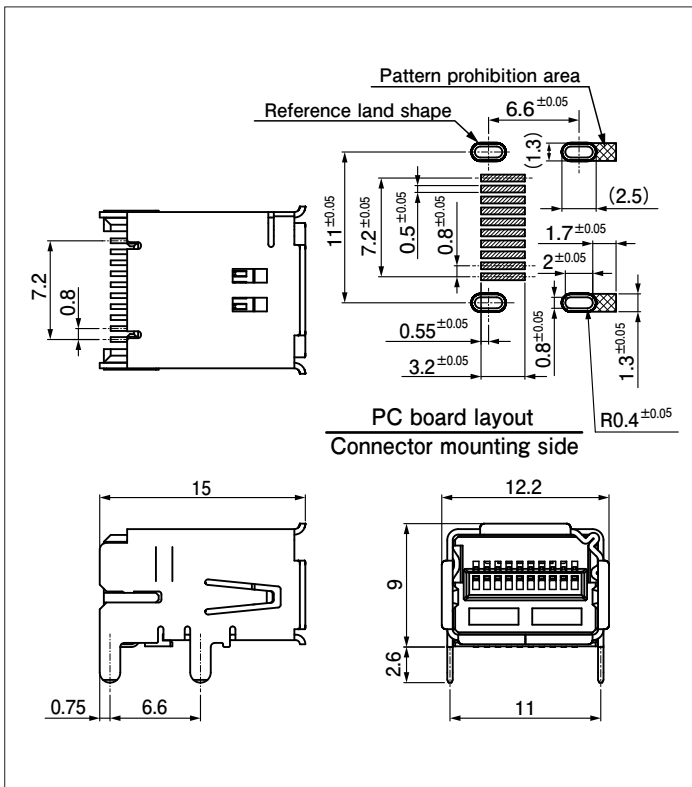
Contact : Copper alloy, nickel-undercoated, selective gold-plated

Housing : Thermoplastic resin, UL94V-0, black

Metal shell : Copper alloy, nickel-undercoated, tin-plated

RoHS2 compliance

Receptacle (SMT type)



No. of circuits	Keying	Model No.	Q'ty/reel
10	X	MUF-RS10SK-GKX-TB	440

Material and Finish

Contact : Copper alloy, nickel-undercoated, selective gold-plated

Housing : Thermoplastic resin, UL94V-0, black

Metal shell : Copper alloy, nickel-undercoated, tin-plated

RoHS2 compliance This product displays (LF) on a label.