



PR Series

Features

- Smallest agency-approved panel-mount power rocker switch
- Available in a variety of colors
- Low-profile design
- Mechanical life: min. 50,000 operations

Specifications

Electrical

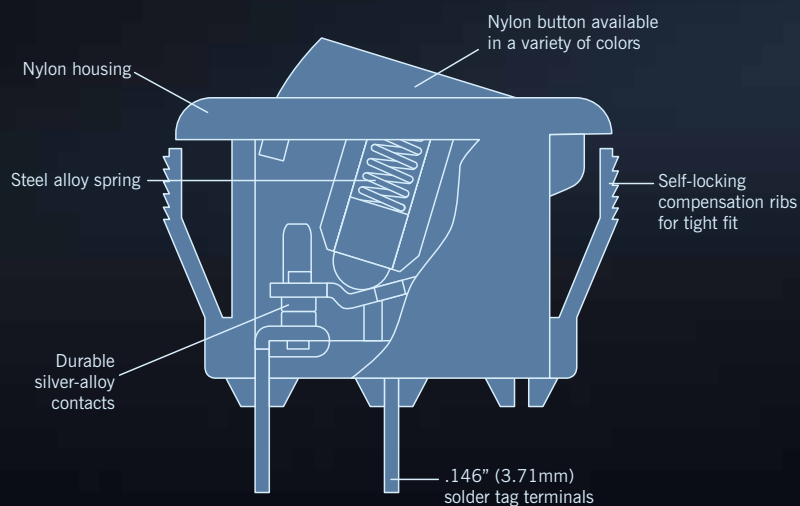
Dielectric Strength:	1000VAC for 1 minute
Insulation Resistance:	10 ⁸ ohms min at 500VDC
Initial Contact Resistance:	20μ ohms max
Temperature Range:	0°C to +100°C (VDE), -20°C to +65°C (UL)

Materials

Actuator:	Nylon 66 94V-2
Base:	Nylon 66 94V-2
Spring:	Piano Wire
Contact:	Steel Alloy
Terminals:	Silver-Plated Copper Alloy

Electrical Ratings

Switch Series	EN61058 Rating	UL1054 Rating	Electrical Life at Rated Load	
			According to VDE (Min. Operations)	According to UL (Min. Operations)
PR	3A, 250VAC, T100/55	6A, 125VAC, 3A 250VAC	10,000	6,000





Examples of Common Part Numbers and Descriptions inches (mm)

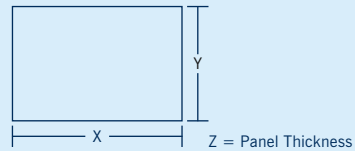
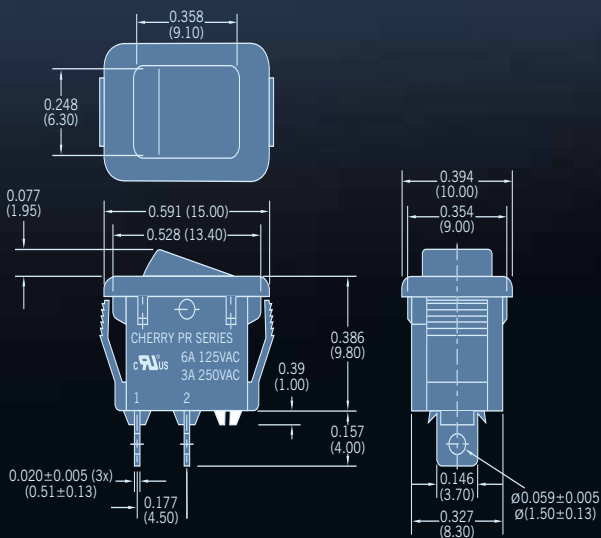
Part Number	Circuitry	Switch Function	Terminal Type	Actuator/Housing Color	Legend Marking
PRK22J5BBNN		On – Off	0.146 (3.71) Solder Tag	Black/Black	
PRK22J5DBBNN		On – Off	0.146 (3.71) Solder Tag	Black/Black	

Ordering Information

PR Series	K Code 6A 125VAC, 3A 250VAC (UL, cUL) 3A 250V~ T100/55 (VDE)	2 Circuitry Single-Pole	2 Code On – Off	J Code 0.146 (3.71) Solder Tag	5 Code Flat	B Code Black	B Code White	B Code Grey	B Code Black	R Code Red	W Code White	Y Code Grey	B Code Black	R Code Red	W Code White	Y Code Grey	N Code Non-Lighted	N Code No Splashproof Rocker Boot
---------------------	--	--------------------------------------	------------------------------	---	--------------------------	---------------------------	---------------------------	--------------------------	---------------------------	-------------------------	---------------------------	--------------------------	---------------------------	-------------------------	---------------------------	--------------------------	---------------------------------	--

Specifications subject to change without notice.

Dimensions inches (mm)



Recommended Panel Cut-Out Dimensions

Dim. Z	Dim. X	Dim. Y
0.030 to 0.049 (0.76 to 1.25)	0.535 (13.60)	0.362 ±.004 (9.20 ±0.10)
0.049 to 0.079 (1.25 to 2.01)	0.539 (13.70)	0.362 ±.004 (9.20 ±0.10)
0.079 to 0.098 (2.01 to 2.50)	0.543 (13.80)	0.362 ±.004 (9.20 ±0.10)