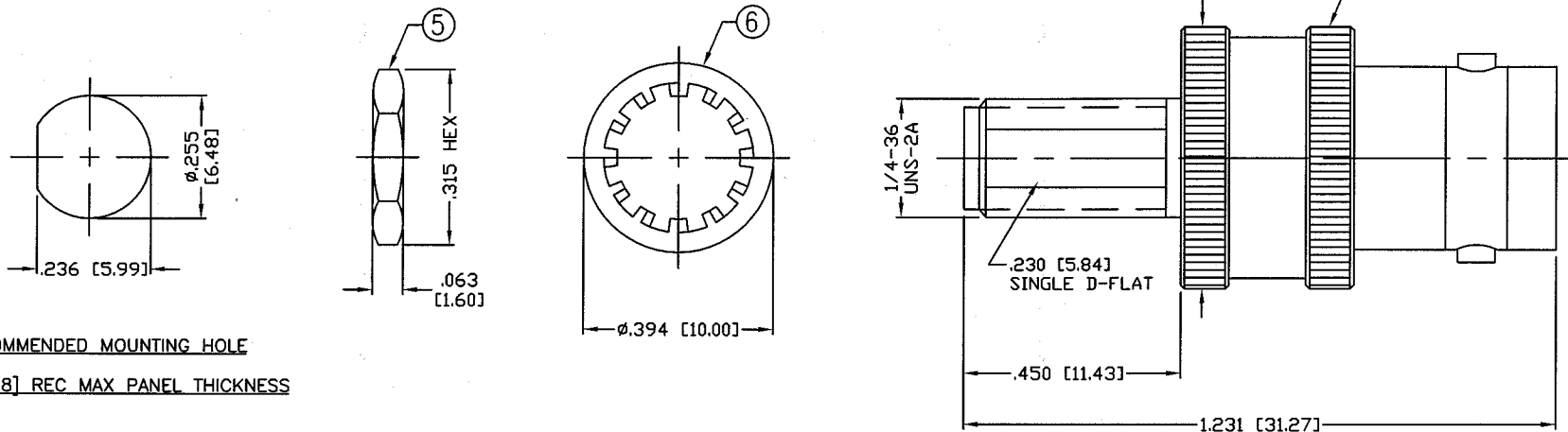


THIS DRAWING CONTAINS INFORMATION PROPRIETARY TO RF INDUSTRIES,
 ANY UNAUTHORIZED USE OF THIS DRAWING IS EXPRESSLY PROHIBITED
 WITHOUT WRITTEN PERMISSION FROM RF INDUSTRIES.
 ANY VIOLATION IS PUNISHABLE UNDER U.S. COPYRIGHT LAWS.

ALL DIMENSIONS ARE REFERENCE ONLY

PART NO.		RSA-3413		
REV	DESCRIPTION	DWN	DATE	APPROVED
A	ENGINEERING RELEASE	KMM	9/11/95	R. RICE
B	CORRECT DESCRIPTION / CHG. DWG. FORMAT / UPDATE SPECS.	CZS	12/7/01	CZS



RECOMMENDED MOUNTING HOLE
.125 [3.18] REC MAX PANEL THICKNESS

SPECIFICATIONS:

IMPEDANCE: 50 Ohms
 FREQUENCY RANGE: 0-4 GHz
 WORKING VOLTAGE: 500 V rms @ sea level
 TEMPERATURE RANGE: -65°C TO 165°C
 INSULATION RESISTANCE: 5k M Ohms min.

1	BODY	1	BRASS	NICKEL, 80 μ "
2	CONTACT	1	Be.Cu.	GOLD, 3 μ "
3	INSULATOR	1	PTFE	---
4	PRESS WASHER	1	BRASS	NICKEL, 80 μ "
5	HEX NUT	1	BRASS	NICKEL, 80 μ "
6	LOCK WASHER	1	BRASS	NICKEL, 80 μ "
7				
8				
9				
10				
11				
12				
13				
14				

000486	
DRAWN	12/7/01
C. ZUNIGA	
CHECKED	12/7/01
ORJ DRAWN	9/11/95
K. MAXWELL	

UNLESS OTHERWISE SPECIFIED:

- REMOVE ALL BURRS
- BREAK ALL CORNERS & EDGES .005 R. MAX.
- CHAMFER 1ST & LAST THREADS 45°
- SURFACE ROUGHNESS 63 FINISH MIL-STD-10
- DIAMETERS ON COMMON CENTERS TO BE CONCENTRIC WITHIN .002 T.I.R.
- ALL DIMENSIONS ARE AFTER PLATING.

DIMENSIONS ARE IN INCHES AND [MILLIMETERS]
 UNLESS OTHERWISE NOTED TOLERANCES ARE:

DECIMALS	DIAMETER
.xxx±.003 [.08]	.xxx±.001 [.03]
.xx±.005 [.13]	.xx±.003 [.08]

RF connectors
 DIVISION OF RF INDUSTRIES, LTD.

7610 MIRAMAR RD
 SAN DIEGO, CA 92126
 (858) 549-6340
 (858) 549-6345 FAX

SMA JACK BULKHEAD TO BNC JACK

SIZE	CABLE GROUP	DWG NO.	REV
A	N/A	RSA-3413	B

SCALE: NTS CAD FILE OUTLINE SHEET 1 OF 1