

GENERAL-PURPOSE MICRO SWITCHES S SERIES

Features

- Choice of actuator styles
- 3 terminal types (contact us for optional screw terminals available)
- 3 contact arrangements
- Long-life coil spring mechanism
- High-temperature 150°C and 200°C available on selected models
- 30A model available on request

Definitions of Operating Characteristics

OF	Operating Force
RF	Releasing Force
OT	Overtravel
TT	Total Travel
PT	Pretravel
MD	Movement Differential
OP	Operating Position

Specifications

Electrical

Electrical Rating: 15A,125/250VAC;3/4HP,125VAC 1-1/2HP,250VAC

Service Life: Electrically 5 x 10⁵, Mechanically 1 x 10⁶

Temperature Rating: 105°C Std. (150°C and 200°C optional)

Flammability Rating: UL94-V0

Materials

Case: General Purpose Phenolic

Actuating Button: Thermoplastic Nylon

Terminals: Brass

Moving Blade: Brass

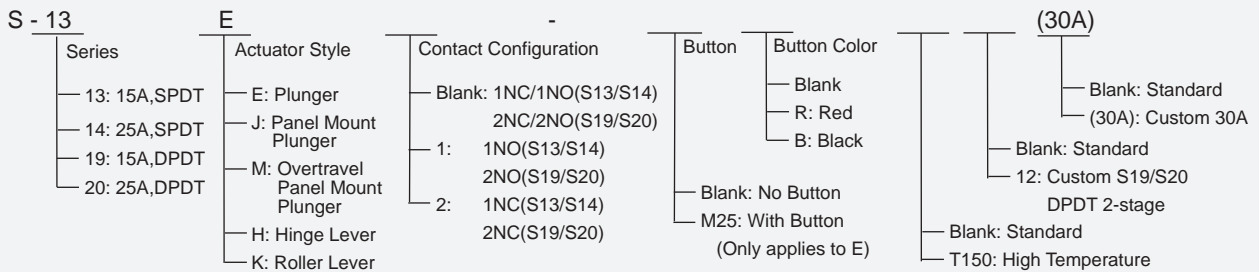
Spring: Stainless Steel

Auxiliary Actuators: Cold-Rolled Steel (Nickel-Plated)

Roller: Sintered Stainless Steel

Contacts: Silver-Cadmium Oxide


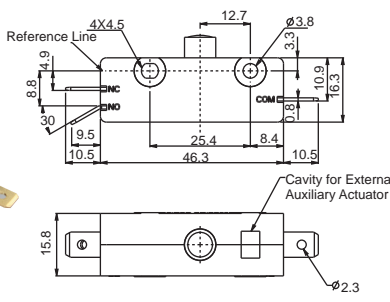

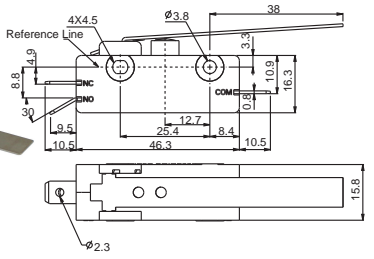

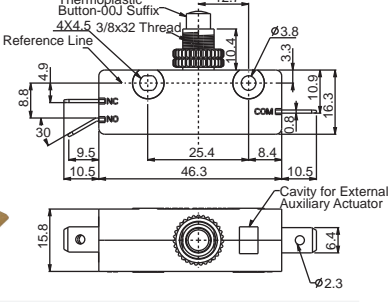

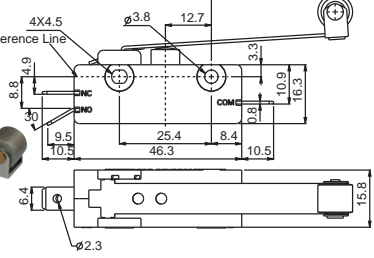

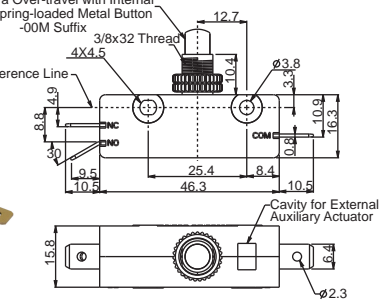

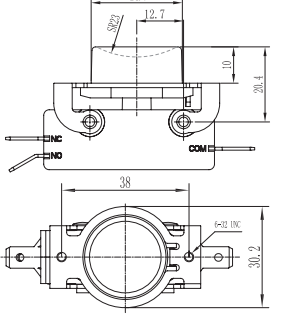
Selection Guide:



*Button color and shape can be customized

GENERAL-PURPOSE MICRO SWITCHES S13 SERIES

Dimensions Unit: mm

  <p>S-13E</p> <p>Operating Characteristics</p> <table border="0"> <tr> <td>OT(Min):</td> <td>2.54mm(0.100inch)</td> </tr> <tr> <td>OF(Max):</td> <td>425g</td> </tr> <tr> <td>PT(Max):</td> <td>1.27mm(0.050inch)</td> </tr> <tr> <td>MD(Max):</td> <td>0.38mm(0.015inch)</td> </tr> <tr> <td>OP:</td> <td>7.24±0.51mm(0.285±0.020inch)</td> </tr> </table>	OT(Min):	2.54mm(0.100inch)	OF(Max):	425g	PT(Max):	1.27mm(0.050inch)	MD(Max):	0.38mm(0.015inch)	OP:	7.24±0.51mm(0.285±0.020inch)	  <p>S-13H</p> <p>Operating Characteristics</p> <table border="0"> <tr> <td>OT(Min):</td> <td>4.75mm(0.187inch)</td> </tr> <tr> <td>OF(Max):</td> <td>100g</td> </tr> <tr> <td>PT(Max):</td> <td>6.35mm(0.250inch)</td> </tr> <tr> <td>MD(Max):</td> <td>2.36mm(0.093inch)</td> </tr> <tr> <td>OP:</td> <td>7.93±1.57mm(0.312±0.062inch)</td> </tr> </table>	OT(Min):	4.75mm(0.187inch)	OF(Max):	100g	PT(Max):	6.35mm(0.250inch)	MD(Max):	2.36mm(0.093inch)	OP:	7.93±1.57mm(0.312±0.062inch)
OT(Min):	2.54mm(0.100inch)																				
OF(Max):	425g																				
PT(Max):	1.27mm(0.050inch)																				
MD(Max):	0.38mm(0.015inch)																				
OP:	7.24±0.51mm(0.285±0.020inch)																				
OT(Min):	4.75mm(0.187inch)																				
OF(Max):	100g																				
PT(Max):	6.35mm(0.250inch)																				
MD(Max):	2.36mm(0.093inch)																				
OP:	7.93±1.57mm(0.312±0.062inch)																				
  <p>S-13J</p> <p>Operating Characteristics</p> <table border="0"> <tr> <td>OT(Min):</td> <td>2.74mm(0.108inch)</td> </tr> <tr> <td>OF(Max):</td> <td>425g</td> </tr> <tr> <td>PT(Max):</td> <td>1.27mm(0.050inch)</td> </tr> <tr> <td>MD(Max):</td> <td>0.38mm(0.015inch)</td> </tr> <tr> <td>OP:</td> <td>17.02±0.76mm(0.670±0.030inch)</td> </tr> </table>	OT(Min):	2.74mm(0.108inch)	OF(Max):	425g	PT(Max):	1.27mm(0.050inch)	MD(Max):	0.38mm(0.015inch)	OP:	17.02±0.76mm(0.670±0.030inch)	  <p>S-13K</p> <p>Operating Characteristics</p> <table border="0"> <tr> <td>OT(Min):</td> <td>4.75mm(0.187inch)</td> </tr> <tr> <td>OF(Max):</td> <td>100g</td> </tr> <tr> <td>PT(Max):</td> <td>6.35mm(0.250inch)</td> </tr> <tr> <td>MD(Max):</td> <td>2.36mm(0.093inch)</td> </tr> <tr> <td>OP:</td> <td>18.24±1.57mm(0.718±0.062inch)</td> </tr> </table>	OT(Min):	4.75mm(0.187inch)	OF(Max):	100g	PT(Max):	6.35mm(0.250inch)	MD(Max):	2.36mm(0.093inch)	OP:	18.24±1.57mm(0.718±0.062inch)
OT(Min):	2.74mm(0.108inch)																				
OF(Max):	425g																				
PT(Max):	1.27mm(0.050inch)																				
MD(Max):	0.38mm(0.015inch)																				
OP:	17.02±0.76mm(0.670±0.030inch)																				
OT(Min):	4.75mm(0.187inch)																				
OF(Max):	100g																				
PT(Max):	6.35mm(0.250inch)																				
MD(Max):	2.36mm(0.093inch)																				
OP:	18.24±1.57mm(0.718±0.062inch)																				
  <p>S-13M</p> <p>Operating Characteristics</p> <table border="0"> <tr> <td>OT(Min):</td> <td>5.54mm(0.218inch)</td> </tr> <tr> <td>OF(Max):</td> <td>425g</td> </tr> <tr> <td>PT(Max):</td> <td>1.27mm(0.050inch)</td> </tr> <tr> <td>MD(Max):</td> <td>0.38mm(0.015inch)</td> </tr> <tr> <td>OP:</td> <td>20.63±0.76mm(0.812±0.030inch)</td> </tr> </table>	OT(Min):	5.54mm(0.218inch)	OF(Max):	425g	PT(Max):	1.27mm(0.050inch)	MD(Max):	0.38mm(0.015inch)	OP:	20.63±0.76mm(0.812±0.030inch)	  <p>S-13E-M25R</p> <p>Operating Characteristics</p> <table border="0"> <tr> <td>OT(Min):</td> <td>2.54mm(0.100inch)</td> </tr> <tr> <td>OF(Max):</td> <td>425g</td> </tr> <tr> <td>PT(Max):</td> <td>1.27mm(0.050inch)</td> </tr> <tr> <td>MD(Max):</td> <td>0.38mm(0.015inch)</td> </tr> </table>	OT(Min):	2.54mm(0.100inch)	OF(Max):	425g	PT(Max):	1.27mm(0.050inch)	MD(Max):	0.38mm(0.015inch)		
OT(Min):	5.54mm(0.218inch)																				
OF(Max):	425g																				
PT(Max):	1.27mm(0.050inch)																				
MD(Max):	0.38mm(0.015inch)																				
OP:	20.63±0.76mm(0.812±0.030inch)																				
OT(Min):	2.54mm(0.100inch)																				
OF(Max):	425g																				
PT(Max):	1.27mm(0.050inch)																				
MD(Max):	0.38mm(0.015inch)																				

GENERAL-PURPOSE MICRO SWITCHES S14 SERIES

Dimensions Unit: mm

S-14E

Operating Characteristics

OT(Min):	1.27mm(0.050inch)
OF(Max):	850g
MD(Max):	0.38mm(0.015inch)
PT(Max):	2.54mm(0.100inch)
OP:	6.3±0.66mm(0.248±0.026inch)

S-14H

Operating Characteristics

OT(Min):	3.81mm(0.150inch)
OF(Max):	285g
MD(Max):	1.27mm(0.050inch)
PT(Max):	7.93mm(0.312inch)
OP:	11.89±1.57mm(0.468±0.062inch)

S-14J

Operating Characteristics

OT(Min):	1.27mm(0.050inch)
OF(Max):	850g
MD(Max):	0.38mm(0.015inch)
PT(Max):	2.54mm(0.100inch)
OP:	16.08±0.76mm(0.633±0.030inch)

S-14K

Operating Characteristics

OT(Min):	3.30mm(0.130inch)
OF(Max):	285g
MD(Max):	1.14mm(0.045inch)
PT(Max):	8.84mm(0.348inch)
OP:	21.84±1.57mm(0.860±0.062inch)

S-14M

Operating Characteristics

OT(Min):	4.27mm(0.168inch)
OF(Max):	850g
MD(Max):	0.38mm(0.015inch)
PT(Max):	2.54mm(0.100inch)
OP:	19.69±0.76mm(0.775±0.030inch)

S-14E-M25R

Operating Characteristics

OT(Min):	1.27mm(0.050inch)
OF(Max):	850g
MD(Max):	0.38mm(0.015inch)
PT(Max):	2.54mm(0.100inch)

GENERAL-PURPOSE MICRO SWITCHES S19 SERIES

Dimensions Unit: mm

S-19E

Operating Characteristics		OT(Min):	2.03mm(0.080inch)
OF(Max):	850g	MD(Max):	0.38mm(0.015inch)
PT(Max):	1.27mm(0.050inch)	OP:	7.24±0.76mm(0.285± 0.030inch)

S-19H

Operating Characteristics		OT(Min):	4.75mm(0.187inch)
OF(Max):	205g	MD(Max):	2.36mm(0.093inch)
PT(Max):	6.99mm(0.275inch)	OP:	7.92±1.57mm(0.312± 0.062inch)

S-19J

Operating Characteristics		OT(Min):	2.03mm(0.080inch)
OF(Max):	850g	MD(Max):	0.38mm(0.015inch)
PT(Max):	1.27mm(0.050inch)	OP:	17.02±0.76mm(0.670± 0.030inch)

S-19K

Operating Characteristics		OT(Min):	4.75mm(0.187inch)
OF(Max):	212g	MD(Max):	2.36mm(0.093inch)
PT(Max):	6.35mm(0.250inch)	OP:	18.24±1.57mm(0.718± 0.062inch)

S-19M

Operating Characteristics		OT(Min):	5.54mm(0.218inch)
OF(Max):	850g	MD(Max):	0.38mm(0.015inch)
PT(Max):	1.27mm(0.050inch)	OP:	20.62±0.76mm(0.812± 0.030inch)

S-19M-M25R

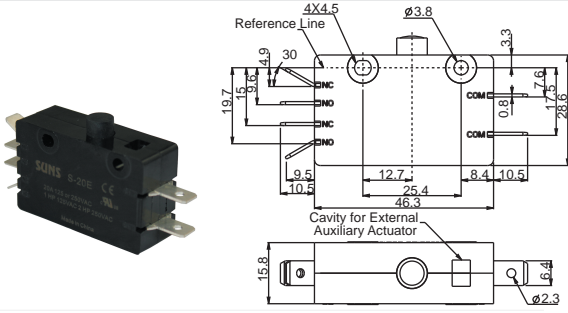
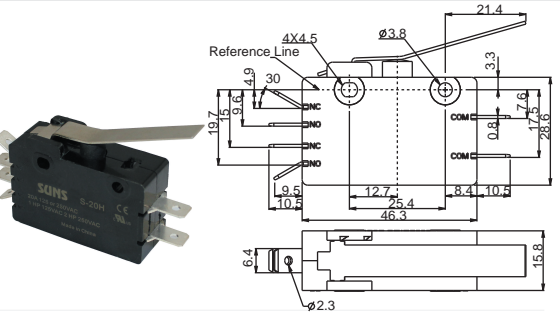
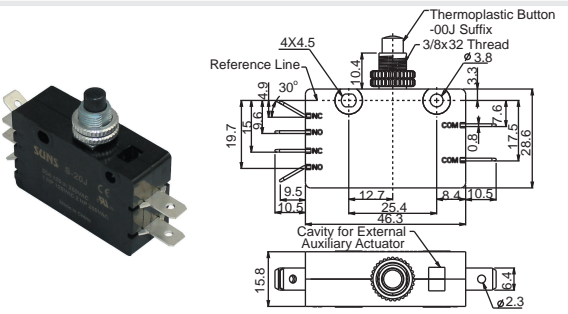
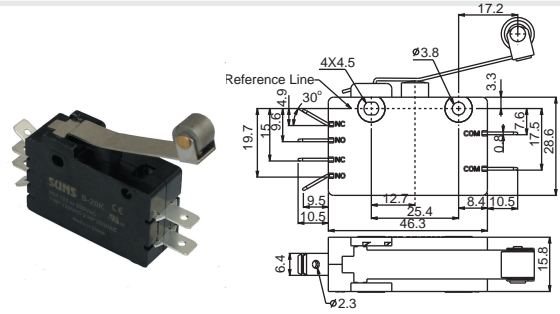
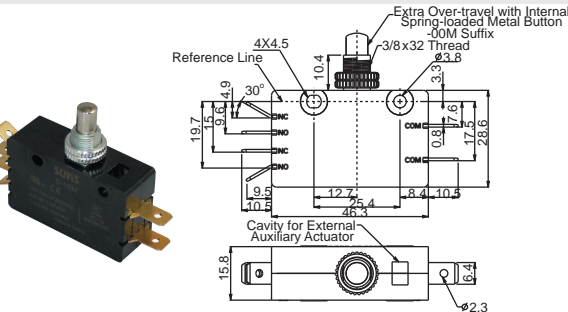
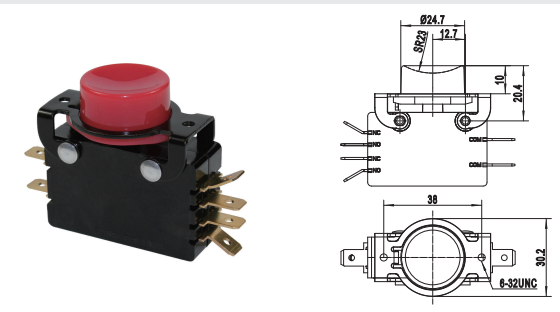
Operating Characteristics		OT(Min):	5.54mm(0.218inch)
OF(Max):	850g	MD(Max):	0.38mm(0.015inch)
PT(Max):	1.27mm(0.050inch)	OP:	20.62±0.76mm(0.812± 0.030inch)

Note #1:
2NO OR 2NC is available as request, please add "1" or "2" after the model number
Example S-19E1: 2NO
S-19E2: 2NC

Note #2:
With respect to operating sequence, pole 1 or 2 may operate first(virtually same time). If pole 1 or 2 must always operate in a particular sequence please add "-12" as the suffix for 2-stage contacts.

GENERAL-PURPOSE MICRO SWITCHES S20 SERIES

Dimensions Unit: mm

 <p>S-20E Operating Characteristics OF(Max): 1280g PT(Max): 2.54mm(0.100inch) OT(Min): 1.27mm(0.050inch) MD(Max): 0.38mm(0.015inch) OP: 6.30±0.76mm(0.248±0.030inch)</p>	 <p>S-20H Operating Characteristics OF(Max): 425g PT(Max): 8.38mm(0.330inch) OT(Min): 3.96mm(0.156inch) MD(Max): 20.85mm(0.821inch) OP: 11.89±1.57mm(0.468±0.062inch)</p>
 <p>S-20J Operating Characteristics OF(Max): 1280g PT(Max): 2.54mm(0.100inch) OT(Min): 1.27mm(0.050inch) MD(Max): 0.38mm(0.015inch) OP: 16.00±0.76mm(0.630±0.030inch)</p>	 <p>S-20K Operating Characteristics OF(Max): 425g PT(Max): 8.84mm(0.348inch) OT(Min): 3.96mm(0.156inch) MD(Max): 1.14mm(0.045inch) OP: 21.84±1.57mm(0.860±0.062inch)</p>
 <p>S-20M Operating Characteristics OF(Max): 850g PT(Max): 1.27mm(0.050inch) OT(Min): 5.54mm(0.218inch) MD(Max): 0.38mm(0.015inch) OP: 20.62±0.76mm(0.812±0.030inch)</p>	 <p>S-20M-M25R Operating Characteristics OF(Max): 850g PT(Max): 1.27mm(0.050inch) OT(Min): 5.54mm(0.218inch) MD(Max): 0.38mm(0.015inch) OP: 20.62±0.76mm(0.812±0.030inch)</p>

Note #1:
 2NO OR 2NC is available as request, please add "1" or "2" after the model number
 Example S-20E1: 2NO
 S-20E2: 2NC

Note #2:
 With respect to operating sequence, pole 1 or 2 may operate first(virtually same time). If pole 1 or 2 must always operate in a particular sequence please add "-12" as the suffix for 2-stage contacts.