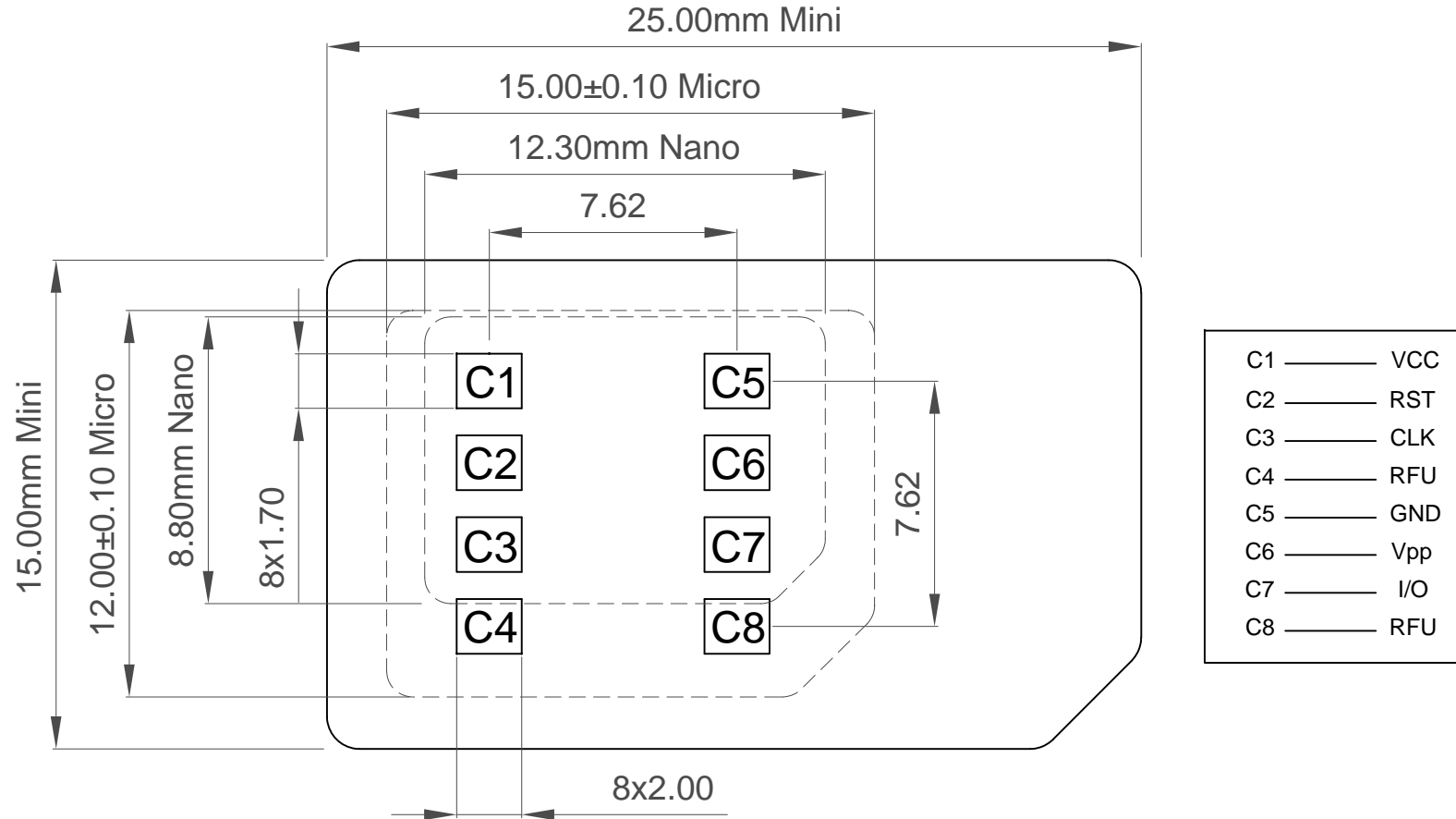


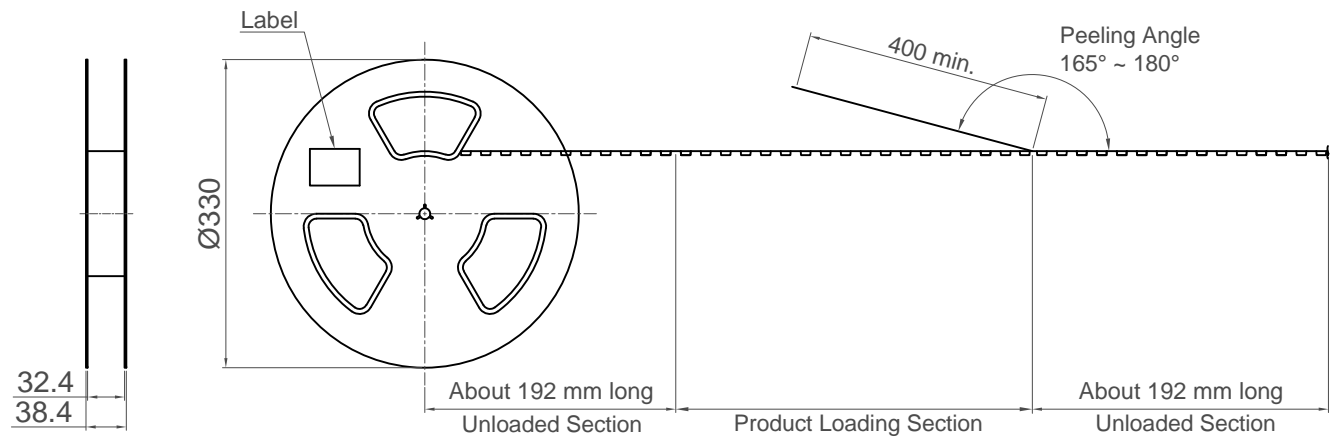
Mini SIM Reference

thickness = 0.76 ± 0.08

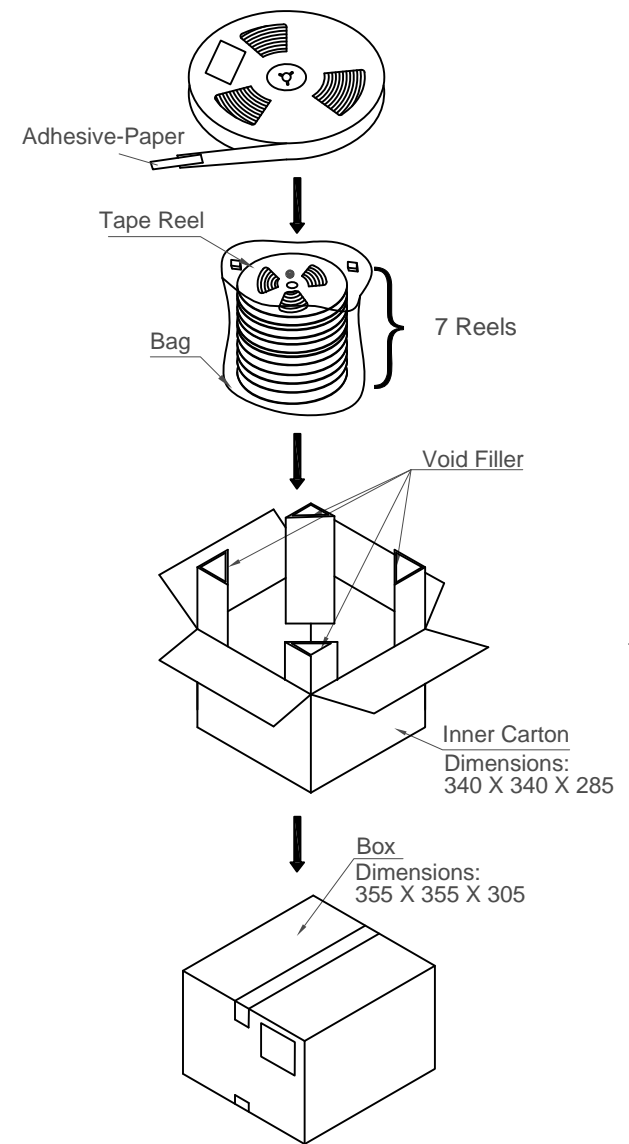
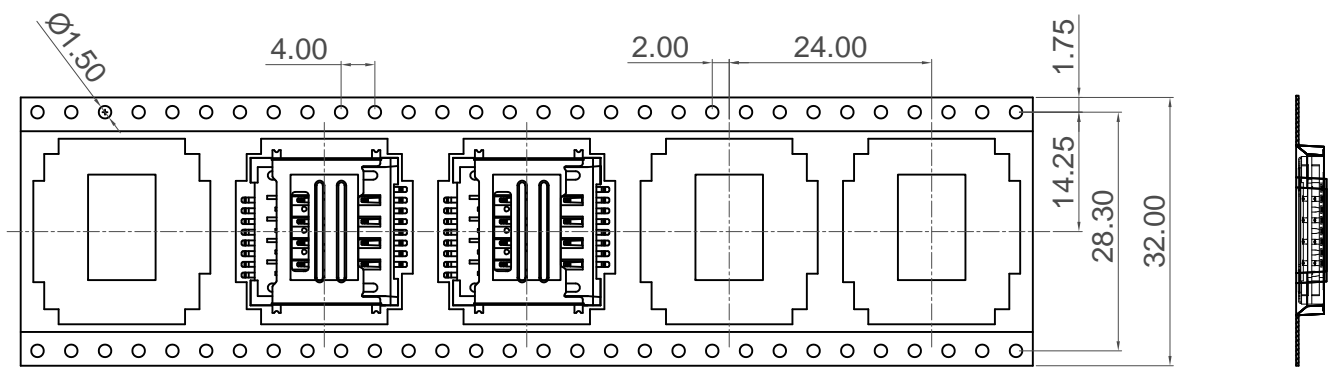


Part Number		Product Description			This drawing is confidential and copyright of Global Connector Technology, Ltd (GCT). This drawing must not be copied or disclosed without written consent. E & OE
SIM6050		SIM Card Connector, Retainer Type, Dual SIM, 2x8 Pin, SMT, Profile 3.00mm			
Drawing Date		15th March 2010			
By	CC	Tolerances (Except as Noted)	Units:		
Detail	SIM6050 D PCN	Length	Metric (mm)		
Revision	D2	Angle			
Date	12/11/20				
				www.gct.co	
				Not to Scale Drawn By SA Sheet No. 2/3	

H
G
F
E
D
C
B
A



User direction of unreeling →



Notes:
Peeling off force of top tape: 0.1-1.3N (Peeling direction as shown)

Materials:
Carrier Tape: Polystyrene (PS)
Top Tape: PE
Reel Tape: Polystyrene (PS)
Bag: PE

Pcs / Reel	Reels / Carton	Total Quality
700	7	4900 pcs

Part Number SIM6050		Product Description SIM Card Connector, Retainer Type, Dual SIM, 2x8 Pin, SMT, Profile 3.00mm			This drawing is confidential and copyright of Global Connector Technology, Ltd (GCT). This drawing must not be copied or disclosed without written consent. E & OE
Drawing Date 15th March 2010		By CC			
Detail	SIM6050 D PCN	Tolerances (Except as Noted) Length	Angle	Units: Metric (mm)	
Revision	D2				
Date	12/11/20				



Not to Scale	Drawn By SA	Sheet No. 3/3
--------------	----------------	------------------

1 2 3 4 5 6 7 8

Mouser Electronics

Authorized Distributor

Click to View Pricing, Inventory, Delivery & Lifecycle Information:

[Global Connector Technology \(GCT\):](#)

[SIM6050-8-0-30-00-A](#)