
Flexible Ultra-Low Jitter Clock Synthesizer

Features

- 115 fs at 156.25 MHz (1.875 MHz to 20 MHz)
- 265 fs at 156.25 MHz (12 kHz to 20 MHz)
- On-Chip Power Supply Regulation for Excellent Board-Level Power Supply Noise Immunity
- Generates up to 8 Combinations of Differential or 16 Single-Ended Clock Outputs
 - LVPECL, LVDS, HCSL, LVCMOS (SE or Diff)
- Selectable Input:
 - Crystal: 11.4 MHz to 27 MHz
 - Reference Input: 11.4 MHz to 80 MHz
- No External Crystal Oscillator Capacitors Required
- 2.5V or 3.3V Operating Power Supply
- Available in Industrial Temperature Range
- Available in Green, RoHS, and PFOS Compliant QFN Packages:
 - 44-pin, 7 mm × 7 mm
 - 32-pin, 5 mm × 5 mm
 - 24-pin, 4 mm × 4 mm
 - 16-pin, 3 mm × 3.5 mm

Applications

- 1/10/40/100 Gigabit Ethernet (GbE)
- SONET/SDH
- PCI Express
- CPRI/OBSAI – Wireless Base Station
- Fibre Channel
- SAS/SATA
- DIMM

General Description

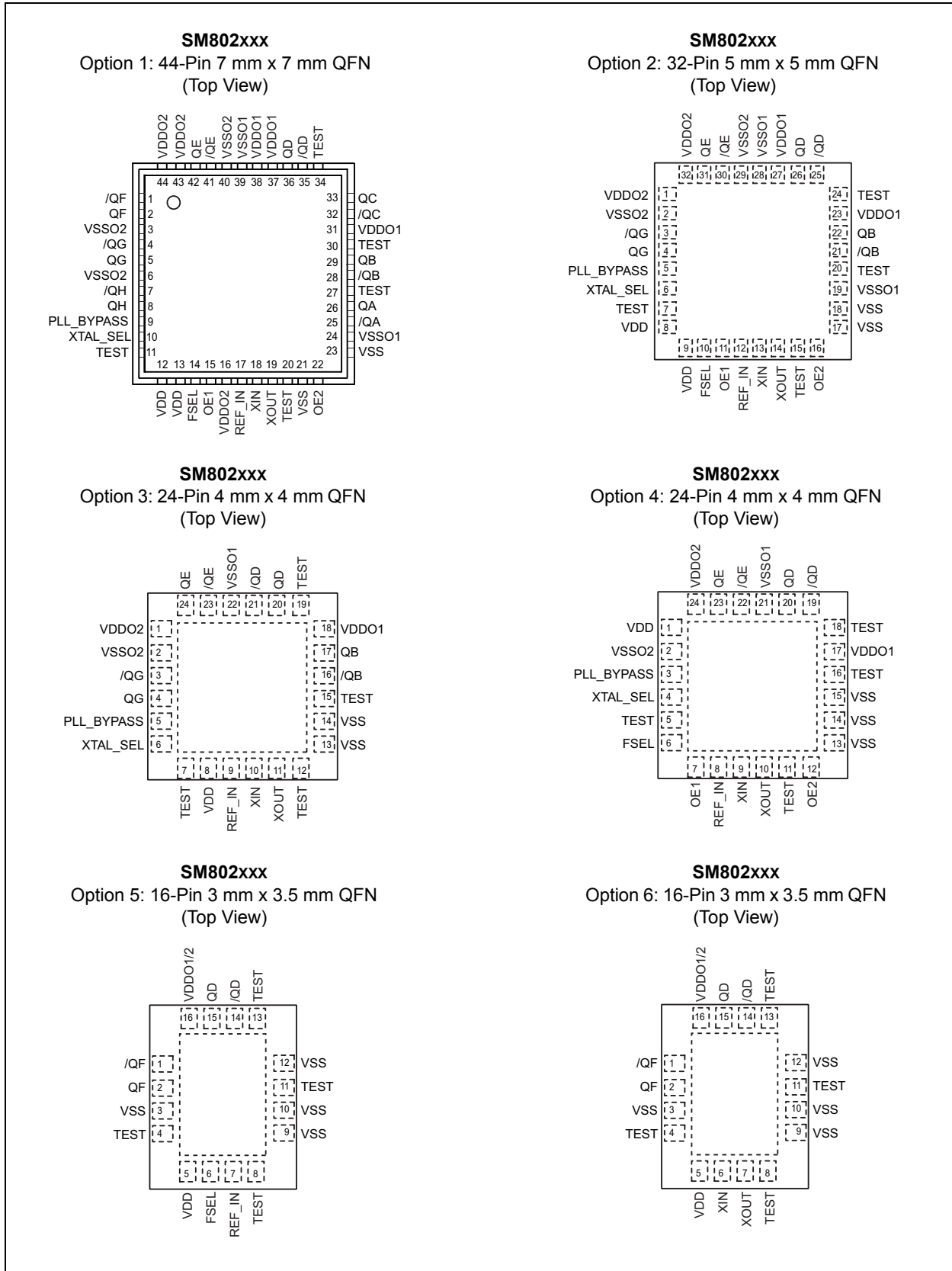
The SM802xxx series is a member of the ClockWorks® family of devices from Microchip and provide an extremely low-noise timing solution for applications such as (1-100) Gigabit Ethernet, SONET, wireless base station, satellite communication, Fibre Channel, SAS/SATA, and PCIe. It is based upon a unique PLL architecture that provides less than 250 fs phase jitter.

The devices operate from a 2.5V or 3.3V power supply and synthesize up to 8 different combinations (LVPECL, LVDS, HCSL) of differential or 16 single-ended output clocks. The devices accept an external reference clock or crystal input.

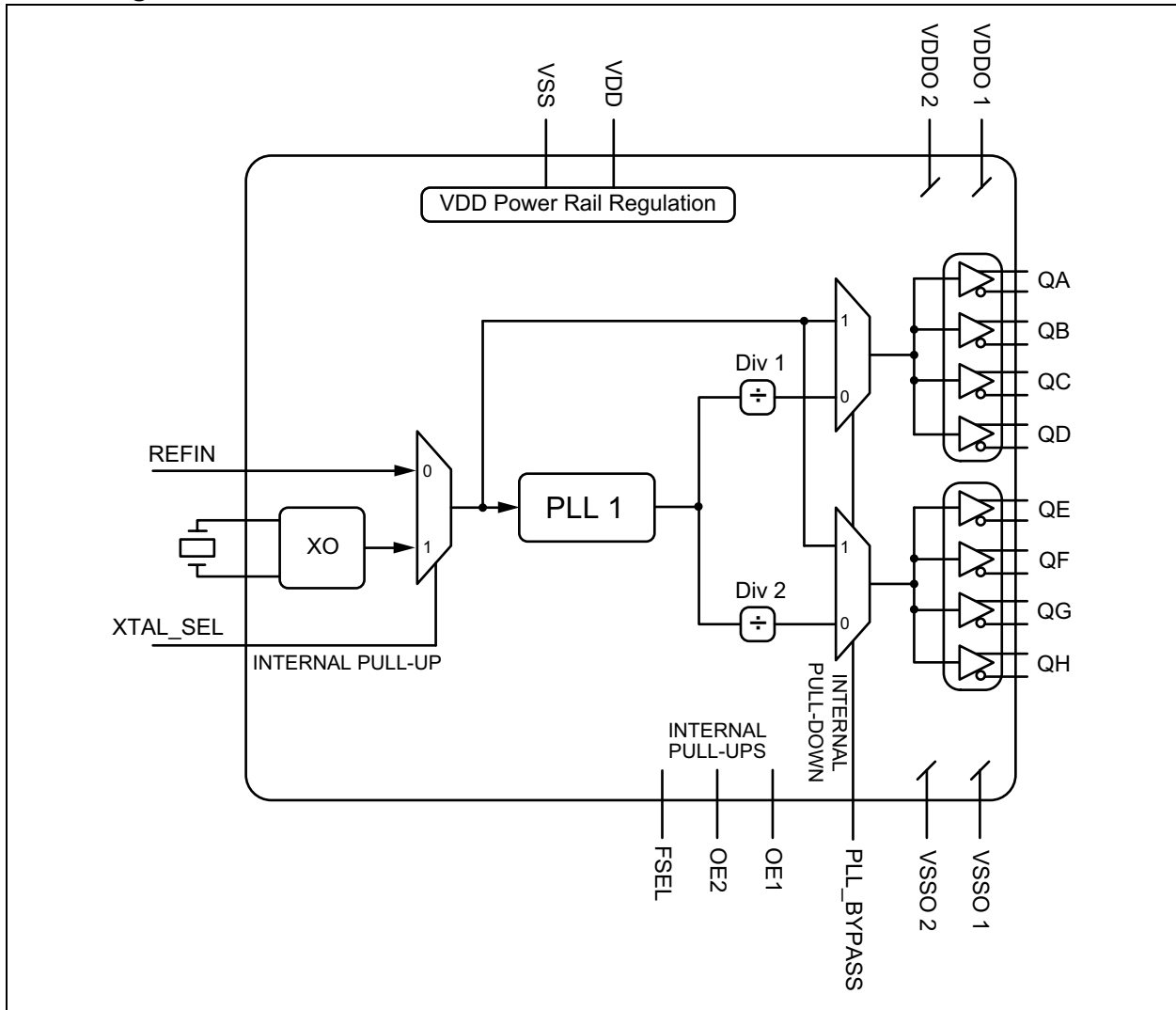
The SM802xxx series is fully programmable and a web tool is available to configure a part for samples at the [ClockWorks Configurator](#) tool.

SM802XXX

Package Types



Block Diagram



SM802XXX

1.0 ELECTRICAL CHARACTERISTICS

Absolute Maximum Ratings †

Supply Voltage (V_{DD} , $V_{DDO1/2}$).....	+4.6V
Input Voltage (V_{IN}).....	-0.5V to $V_{DD} + 0.5V$

Operating Ratings ††

Supply Voltage (V_{DD} , $V_{DDO1/2}$).....	+2.375V to +3.465V
---	--------------------

† **Notice:** Exceeding the absolute maximum ratings may damage the device.

†† **Notice:** The data sheet limits are not guaranteed if the device is operated beyond the operating ratings.

DC ELECTRICAL CHARACTERISTICS (Note 1)

Electrical Characteristics: $V_{DD} = V_{DDO1/2} = 3.3V \pm 5\%$ or $2.5V \pm 5\%$; $V_{DD} = 3.3V \pm 5\%$, $V_{DDO1/2} = 3.3V \pm 5\%$ or $2.5V \pm 5\%$; $T_A = -40^\circ C$ to $+85^\circ C$.						
Parameter	Symbol	Min.	Typ.	Max.	Units	Conditions
3.3V Operating Voltage	V_{DD} , $V_{DDO1/2}$	3.135	3.3	3.465	V	$V_{DDO1} = V_{DDO2}$
2.5V Operating Voltage		2.375	2.5	2.625		
Total Supply Current, $V_{DD} + V_{DDO}$	I_{DD}	—	275	345	mA	8 LVPECL, 312.5 MHz (44-pin QFN) Outputs open
		—	150	185		4 HCSL (PCIe), 100 MHz (32-pin or 24-pin QFN) Outputs 50Ω to V_{SS}
		—	70	90		2 LVCMOS, 125 MHz (16-pin QFN) Outputs open

Note 1: The circuit is designed to meet the AC and DC specifications shown in the Electrical Characteristics tables after thermal equilibrium has been established.

LVCMOS INPUTS (OE1, OE2, PLL_BYPASS, XTAL_SEL, FSEL) DC ELECTRICAL CHARACTERISTICS (Note 1)

Electrical Characteristics: $V_{DD} = 3.3V \pm 5\%$ or $2.5V \pm 5\%$; $T_A = -40^\circ C$ to $+85^\circ C$.						
Parameter	Symbol	Min.	Typ.	Max.	Units	Conditions
Input High Voltage	V_{IH}	2	—	$V_{DD} + 0.3$	V	—
Input Low Voltage	V_{IL}	-0.3	—	0.8	V	—
Input High Current	I_{IH}	—	—	150	μA	$V_{DD} = V_{IN} = 3.465V$
Input Low Current	I_{IL}	-150	—	—	μA	$V_{DD} = 3.465V$, $V_{IN} = 0V$

Note 1: The circuit is designed to meet the AC and DC specifications shown in the Electrical Characteristics tables after thermal equilibrium has been established.

LVDS OUTPUT DC ELECTRICAL CHARACTERISTICS (Note 1)

Electrical Characteristics: $V_{DD} = V_{DDO1/2} = 3.3V \pm 5\%$ or $2.5V \pm 5\%$; $V_{DD} = 3.3V \pm 5\%$, $V_{DDO1/2} = 3.3V \pm 5\%$ or $2.5V \pm 5\%$; $T_A = -40^\circ C$ to $+85^\circ C$. $R_L = 100\Omega$ across Q1 and /Q1.

Parameter	Symbol	Min.	Typ.	Max.	Units	Conditions
Differential Output Voltage	V_{OD}	275	350	475	mV	Figure 5-8
V_{OD} Magnitude Change	ΔV_{OD}	—	—	40	mV	—
Offset Voltage	V_{OS}	1.15	1.25	1.50	V	—
V_{OS} Magnitude Change	ΔV_{OS}	—	—	50	mV	—

Note 1: The circuit is designed to meet the AC and DC specifications shown in the Electrical Characteristics tables after thermal equilibrium has been established.

HCSL OUTPUT DC ELECTRICAL CHARACTERISTICS (Note 1)

Electrical Characteristics: $V_{DD} = V_{DDO1/2} = 3.3V \pm 5\%$ or $2.5V \pm 5\%$; $V_{DD} = 3.3V \pm 5\%$, $V_{DDO1/2} = 3.3V \pm 5\%$ or $2.5V \pm 5\%$; $T_A = -40^\circ C$ to $+85^\circ C$. $R_L = 50\Omega$ to V_{SS} .

Parameter	Symbol	Min.	Typ.	Max.	Units	Conditions
Output High Voltage	V_{OH}	660	700	850	mV	—
Output Low Voltage	V_{OL}	-150	0	27	mV	—
Output Voltage Swing	V_{SWING}	250	350	550	mV	—

Note 1: The circuit is designed to meet the AC and DC specifications shown in the Electrical Characteristics tables after thermal equilibrium has been established.

LVPECL OUTPUT DC ELECTRICAL CHARACTERISTICS (Note 1)

Electrical Characteristics: $V_{DD} = V_{DDO1/2} = 3.3V \pm 5\%$ or $2.5V \pm 5\%$; $V_{DD} = 3.3V \pm 5\%$, $V_{DDO1/2} = 3.3V \pm 5\%$ or $2.5V \pm 5\%$; $T_A = -40^\circ C$ to $+85^\circ C$. $R_L = 50\Omega$ to $V_{DDO} - 2V$.

Parameter	Symbol	Min.	Typ.	Max.	Units	Conditions
Output High Voltage	V_{OH}	$V_{DDO} - 1.145$	$V_{DDO} - 0.97$	$V_{DDO} - 0.845$	V	—
Output Low Voltage	V_{OL}	$V_{DDO} - 1.945$	$V_{DDO} - 1.77$	$V_{DDO} - 1.645$	V	—
Output Voltage Swing	V_{SWING}	0.6	0.8	1.0	V	—

Note 1: The circuit is designed to meet the AC and DC specifications shown in the Electrical Characteristics tables after thermal equilibrium has been established.

LVC MOS OUTPUT DC ELECTRICAL CHARACTERISTICS (Note 1)

Electrical Characteristics: $V_{DD} = V_{DDO1/2} = 3.3V \pm 5\%$ or $2.5V \pm 5\%$; $V_{DD} = 3.3V \pm 5\%$, $V_{DDO1/2} = 3.3V \pm 5\%$ or $2.5V \pm 5\%$; $T_A = -40^\circ C$ to $+85^\circ C$. $R_L = 50\Omega$ to $V_{DDO}/2$.

Parameter	Symbol	Min.	Typ.	Max.	Units	Conditions
Output High Voltage	V_{OH}	$V_{DDO} - 0.7$	—	—	V	Figure 5-9
Output Low Voltage	V_{OL}	—	—	0.6	V	Figure 5-9

Note 1: The circuit is designed to meet the AC and DC specifications shown in the Electrical Characteristics tables after thermal equilibrium has been established.

SM802XXX

REF_IN DC ELECTRICAL CHARACTERISTICS (Note 1)

Electrical Characteristics: $V_{DD} = 3.3V \pm 5\%$ or $2.5V \pm 5\%$; $T_A = -40^\circ C$ to $+85^\circ C$.						
Parameter	Symbol	Min.	Typ.	Max.	Units	Conditions
Input High Voltage	V_{IH}	1.1	—	$V_{DD} + 0.3$	V	—
Input Low Voltage	V_{IL}	-0.3	—	0.6	V	—
Input Current	I_{IN}	-5	—	5	μA	XTAL_SEL = V_{IL} , $V_{IN} = 0V$ to V_{DD}
		—	20	—	μA	XTAL_SEL = V_{IH} , $V_{IN} = V_{DD}$

Note 1: The circuit is designed to meet the AC and DC specifications shown in the Electrical Characteristics tables after thermal equilibrium has been established.

CRYSTAL CHARACTERISTICS

Electrical Characteristics: $V_{DD} = 3.3V \pm 5\%$ or $2.5V \pm 5\%$; $T_A = -40^\circ C$ to $+85^\circ C$.						
Parameter	Min.	Typ.	Max.	Units	Conditions	
Mode of Oscillation	Fundamental, parallel resonant			—	10 pF load capacitance	
Frequency	11.4	—	27	MHz	—	
Equivalent Series Resistance (ESR)	—	—	30	Ω	—	
Shunt Capacitance, C_0	—	2	5	pF	—	
Correlation Drive Level	—	10	100	μW	—	

LVPECL AC ELECTRICAL CHARACTERISTICS (Note 1, Note 2, Note 3, Note 4)

Electrical Characteristics: $V_{DDA} = V_{DD} = 3.3V \pm 5\%$ or $2.5V \pm 5\%$, $V_{DDO} = 2.5V$ or $3.3V \pm 5\%$, $T_A = -40^\circ C$ to $+85^\circ C$, unless otherwise noted.						
Parameter	Symbol	Min.	Typ.	Max.	Units	Conditions
Output Frequency	F_{OUT}	11	—	840	MHz	—
LVPECL Output Rise/Fall Time	t_r/t_f	80	175	350	ps	20% - 80%
Output Duty Cycle	ODC	48	50	52	%	< 350 MHz
		45	50	55	%	≥ 350 MHz
Output-to-Output Skew	T_{SKEW}	—	—	45	ps	Note 5
PLL Lock Time	T_{LOCK}	—	—	20	ms	—
RMS Phase Jitter @ 156.25 MHz	$T_{jit}(\emptyset)$	—	265	—	fs	Integration Range (12 kHz to 20 MHz)
		—	115	—	fs	Integration Range (1.875 MHz to 20 MHz)

- Note 1:** The circuit is designed to meet the AC and DC specifications shown in the Electrical Characteristics tables after thermal equilibrium has been established.
- 2:** See Figure 5-6 through Figure 5-9 for load test circuit examples.
- 3:** All phase noise measurements were taken with an Agilent 5052B phase noise system.
- 4:** Output load is 50Ω to $V_{DD} - 2V$.
- 5:** Defined as skew between outputs at the same supply voltage and with equal load conditions; Measured at the output differential crossing points.

LVDS AC ELECTRICAL CHARACTERISTICS (Note 1, Note 2, Note 3, Note 4)

Electrical Characteristics: $V_{DDA} = V_{DD} = 3.3V \pm 5\%$ or $2.5V \pm 5\%$, $V_{DDO} = 2.5V$ or $3.3V \pm 5\%$, $T_A = -40^\circ C$ to $+85^\circ C$, unless otherwise noted.

Parameter	Symbol	Min.	Typ.	Max.	Units	Conditions
Output Frequency	F_{OUT}	11.4	—	840	MHz	—
LVDS Output Rise/Fall Time	t_r/t_f	100	160	400	ps	20% - 80%
Output Duty Cycle	ODC	48	50	52	%	< 350 MHz
		45	50	55	%	≥ 350 MHz
Output-to-Output Skew	T_{SKEW}	—	—	45	ps	Note 5
PLL Lock Time	T_{LOCK}	—	—	20	ms	—
RMS Phase Jitter @ 156.25 MHz	$T_{jit}(\emptyset)$	—	110	—	fs	Integration Range (1.875 MHz to 20 MHz)

- Note 1:** The circuit is designed to meet the AC and DC specifications shown in the Electrical Characteristics tables after thermal equilibrium has been established.
- 2:** See Figure 5-6 through Figure 5-9 for load test circuit examples.
- 3:** All phase noise measurements were taken with an Agilent 5052B phase noise system.
- 4:** Outputs terminated 100 Ω between Q and /Q. All unused outputs must be terminated.
- 5:** Defined as skew between outputs at the same supply voltage and with equal load conditions; Measured at the output differential crossing points.

HCSL AC ELECTRICAL CHARACTERISTICS (Note 1, Note 2, Note 3, Note 4)

Electrical Characteristics: $V_{DDA} = V_{DD} = 3.3V \pm 5\%$ or $2.5V \pm 5\%$, $V_{DDO} = 2.5V$ or $3.3V \pm 5\%$, $T_A = -40^\circ C$ to $+85^\circ C$, unless otherwise noted.

Parameter	Symbol	Min.	Typ.	Max.	Units	Conditions
Output Frequency	F_{OUT}	11.4	—	840	MHz	—
Output Rise/Fall Time	t_r/t_f	150	300	450	ps	20% - 80%
Output Duty Cycle	ODC	48	50	52	%	< 350 MHz
		45	50	55	%	≥ 350 MHz
Output-to-Output Skew	T_{SKEW}	—	—	50	ps	Note 5
PLL Lock Time	T_{LOCK}	—	—	20	ms	—
RMS Phase Jitter @ 100 MHz	$T_{jit}(\emptyset)$	—	265	—	fs	Integration Range (12 kHz to 20 MHz)
		—	115	—	fs	Integration Range (1.875 MHz to 20 MHz)

- Note 1:** The circuit is designed to meet the AC and DC specifications shown in the Electrical Characteristics tables after thermal equilibrium has been established.
- 2:** See Figure 5-6 through Figure 5-9 for load test circuit examples.
- 3:** All phase noise measurements were taken with an Agilent 5052B phase noise system.
- 4:** Output load is 50 Ω to $V_{DD} / 2$.
- 5:** Defined as skew between outputs at the same supply voltage and with equal load conditions; Measured at the output differential crossing points.

SM802XXX

LVCMOS AC ELECTRICAL CHARACTERISTICS (Note 1, Note 2, Note 3, Note 4)

Electrical Characteristics: $V_{DDA} = V_{DD} = 3.3V \pm 5\%$ or $2.5V \pm 5\%$, $V_{DDO} = 2.5V$ or $3.3V \pm 5\%$, $T_A = -40^\circ C$ to $+85^\circ C$, unless otherwise noted.

Parameter	Symbol	Min.	Typ.	Max.	Units	Conditions
Output Frequency	F_{OUT}	11.4	—	250	MHz	—
REF_IN Frequency	F_{REF}	11	—	80	MHz	—
Output Rise/Fall Time	t_r/t_f	100	—	500	ps	20% - 80%
Output Duty Cycle	ODC	45	50	55	%	—
Output-to-Output Skew	T_{SKEW}	—	—	60	ps	Note 5
PLL Lock Time	T_{LOCK}	—	—	20	ms	—
RMS Phase Jitter @ 125 MHz	$T_{jit(\emptyset)}$	—	115	—	fs	Integration Range (1.875 MHz to 20 MHz)

Note 1: The circuit is designed to meet the AC and DC specifications shown in the Electrical Characteristics tables after thermal equilibrium has been established.

2: See Figure 5-6 through Figure 5-9 for load test circuit examples.

3: All phase noise measurements were taken with an Agilent 5052B phase noise system.

4: Output load is 50Ω to $V_{DD} / 2$.

5: Defined as skew between outputs at the same supply voltage and with equal load conditions; Measured at the output differential crossing points.

TEMPERATURE SPECIFICATIONS

Parameters	Sym.	Min.	Typ.	Max.	Units	Conditions
Temperature Ranges						
Ambient Temperature Range	T_A	-40	—	+85	°C	—
Lead Temperature	—	—	—	+260	°C	Soldering, 20s
Case Temperature	—	—	—	+115	°C	—
Storage Temperature Range	T_S	-65	—	+150	°C	—
Package Thermal Resistances (Note 1)						
Junction Thermal Resistance, 7 x 7 QFN-44Ld	θ_{JA}	—	24	—	°C/W	—
Junction Thermal Resistance, 5 x 5 QFN-32Ld	θ_{JA}	—	34	—	°C/W	—
Junction Thermal Resistance, 4 x 4 QFN-24Ld	θ_{JA}	—	50	—	°C/W	—
Junction Thermal Resistance, 3 x 3.5 QFN-16Ld	θ_{JA}	—	60	—	°C/W	—

Note 1: Package thermal resistance assumes the exposed pad is soldered (or equivalent) to the device's most negative potential on the PCB.

SM802XXX

2.0 PIN DESCRIPTIONS

The descriptions of the pins are listed in [Table 2-1](#).

TABLE 2-1: PIN FUNCTION TABLE

Pin Numbers by Package Option						Pin Name	Pin Type	Pin Level	Pin Function	
#1 44-pin	#2 32-pin	#3 24-pin	#4 24-pin	#5 16-pin	#6 16-pin					
18	13	10	9	—	6	XIN	I,O (SE)	—	Crystal connections.	
19	14	11	10	—	7	XOUT				
17	12	9	8	7	—	REF_IN	I, (SE)	LVC MOS	Reference clock input.	
14	10	—	6	6	—	FSEL	I, (SE)	LVC MOS	Frequency Select, divides output frequencies by 2. 0 = FREQ, 1 = FREQ/2, 45 kΩ pull-up	
10	6	6	4	—	—	XTAL SEL	I, (SE)	LVC MOS	XTAL Select, selects between XTAL and REF_IN 0 = REF_IN, 1 = XTAL, 45 kΩ pull-up	
9	5	5	3	—	—	PLL BYPASS	I, (SE)	LVC MOS	Bypasses the PLL and switches the XTAL or REF_IN frequency to all outputs 0 = PLL mode, 1 = Bypass mode, 45 kΩ pull-down	
25	—	—	—	—	—	/QA	O	Various	Clock Outputs from Bank 1 Each output can be programmed to its own logic type: LVPECL, LVDS, HCSL, or LVC MOS (Note 1)	
26	—	—	—	—	—	QA				
28	21	16	—	—	—	/QB	O	Various		
29	22	17	—	—	—	QB				
32	—	—	—	—	—	/QC	O	Various		
33	—	—	—	—	—	QC				
35	25	20	19	14	14	/QD	O	Various		
36	26	21	20	15	15	QD				
41	30	23	22	—	—	/QE	O	Various		
42	31	24	23	—	—	QE				
1	—	—	—	1	1	/QF	O	Various	Clock Outputs from Bank 2 Each output can be programmed to its own logic type: LVPECL, LVDS, HCSL, or LVC MOS (Note 1)	
2	—	—	—	2	2	QF				
4	3	3	—	—	—	/QG	O	Various		
5	4	4	—	—	—	QG				
7	—	—	—	—	—	/QH	O	Various		
8	—	—	—	—	—	QH				
31	23	18	17	16	16	V _{DDO1}	PWR	—		Power Supply for the outputs on Bank 1.
37	27	—	—	—	—					
38	—	—	—	—	—					
16	1	1	24	16	16	V _{DDO2}	PWR	—		Power Supply for the outputs on Bank 2.
43	32	—	—	—	—					
44	—	—	—	—	—					
24	19	22	21	—	—	V _{SSO1}	PWR	—	Power Supply Ground for the outputs on Bank 1.	
39	28	—	—	—	—					

TABLE 2-1: PIN FUNCTION TABLE (CONTINUED)

Pin Numbers by Package Option						Pin Name	Pin Type	Pin Level	Pin Function
#1 44-pin	#2 32-pin	#3 24-pin	#4 24-pin	#5 16-pin	#6 16-pin				
3	2	2	2	—	—	V _{SSO2}	PWR	—	Power Supply Ground for the outputs on Bank 2.
6	29	—	—	—	—				
40	—	—	—	—	—				
11	7	7	5	4	4	TEST	—	—	Used for production test. Do not connect anything to these pins.
20	15	12	11	8	8				
27	20	15	16	11	11				
30	24	19	18	13	13				
34	—	—	—	—	—				
12	8	8	1	5	5	V _{DD}	PWR	—	Core power supply.
13	9	—	—	—	—	V _{SS}	PWR	—	Core power supply ground.
21	17	13	13	3	3				
23	18	14	14	9	9				
—	—	—	15	10	10				
—	—	—	—	12	12				
—	—	—	—	—	—	EPAD	—	—	The exposed pad must be connected to the V _{SS} ground plane.
15	11	—	7	—	—	OE1	I, (SE)	LVC MOS	Output Enable 1, OUT1–8 disables to tri-state, 0 = Disabled, 1 = Enabled, 45 kΩ pull-up
22	16	—	12	—	—	OE2	I, (SE)	LVC MOS	Output Enable 2, OUT9–16 disables to tri-state, 0 = Disabled, 1 = Enabled, 45 kΩ pull-up

Note 1: In the case of LVC MOS, an output pair can provide two single-ended LVC MOS outputs.

TABLE 2-2: TRUTH TABLE

Control Pin	Internal Resistor (Note 1)	0 Level (Low)	1 Level (High)
OE1	Pull-Up	Outputs QA~QD disabled to Hi Z (Tri-State)	Outputs QA~QD enabled
OE2	Pull-Up	Outputs QE~QH disabled to Hi Z (Tri-State)	Outputs QE~QH enabled
XTAL_SEL	Pull-Up	External reference clock input is selected	Crystal is selected
FSEL; (Note 2)	Pull-Up	Output = Target Frequency x2 or /2	Output = Target Frequency
PLL_BYPASS	Pull-Down	PLL frequency is connected to outputs	PLL is bypassed, Crystal or Ref-in is connected to outputs

Note 1: The internal resistor sets the default logic level on the control pin when the pin is left open. Pull up will set default logic 1 and pull down will set default logic 0. When the pin is not available on a specific configuration, the level will be the default logic level.

- 2:** The FSEL pin behavior can be programmed between two types:
- At FSEL=0 (low), the output frequency changes to multiply by 2.
 - At FSEL=0 (low), the output frequency changes to divide by 2.
- The FSEL function affects all outputs the same way, all outputs change when the FSEL pin level changes.

3.0 PHASE NOISE PLOTS

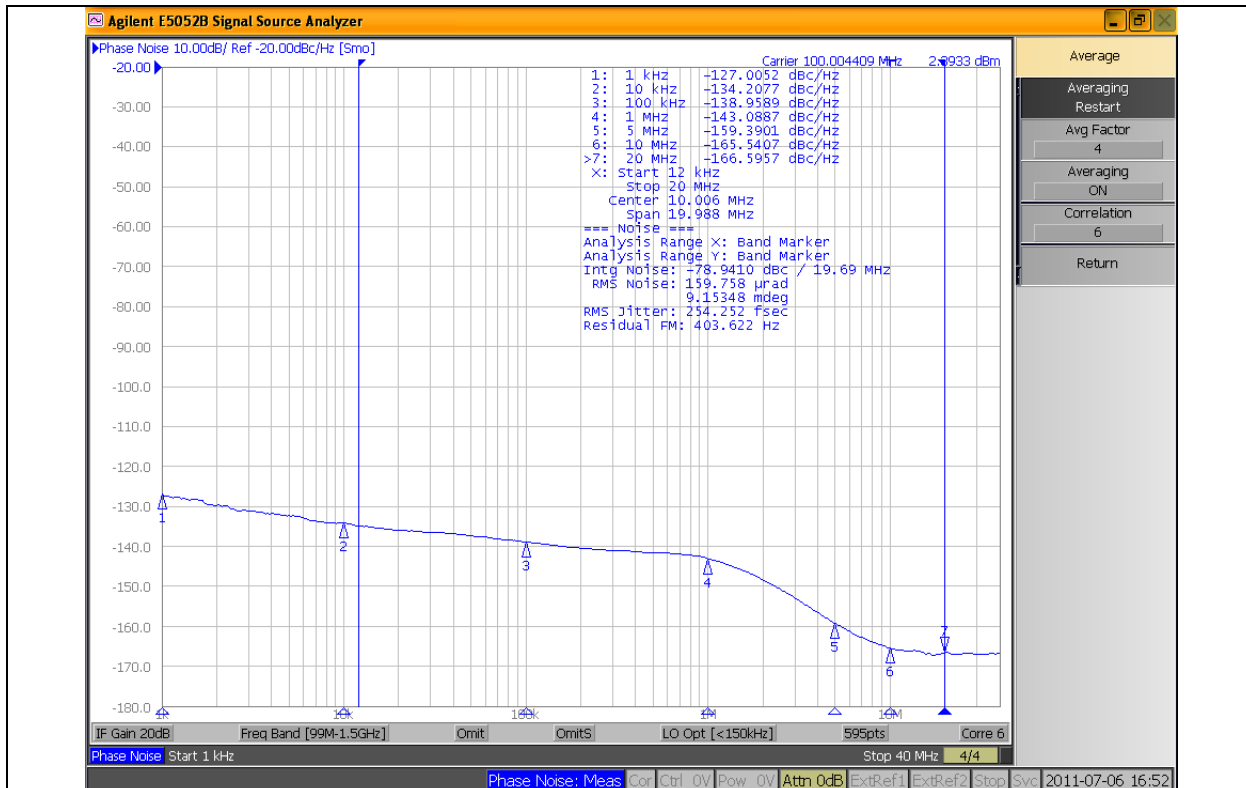


FIGURE 3-1: 100 MHz HCSSL, 254 $f_{s_{RMS}}$ for 12 kHz to 20 MHz Integration Range.

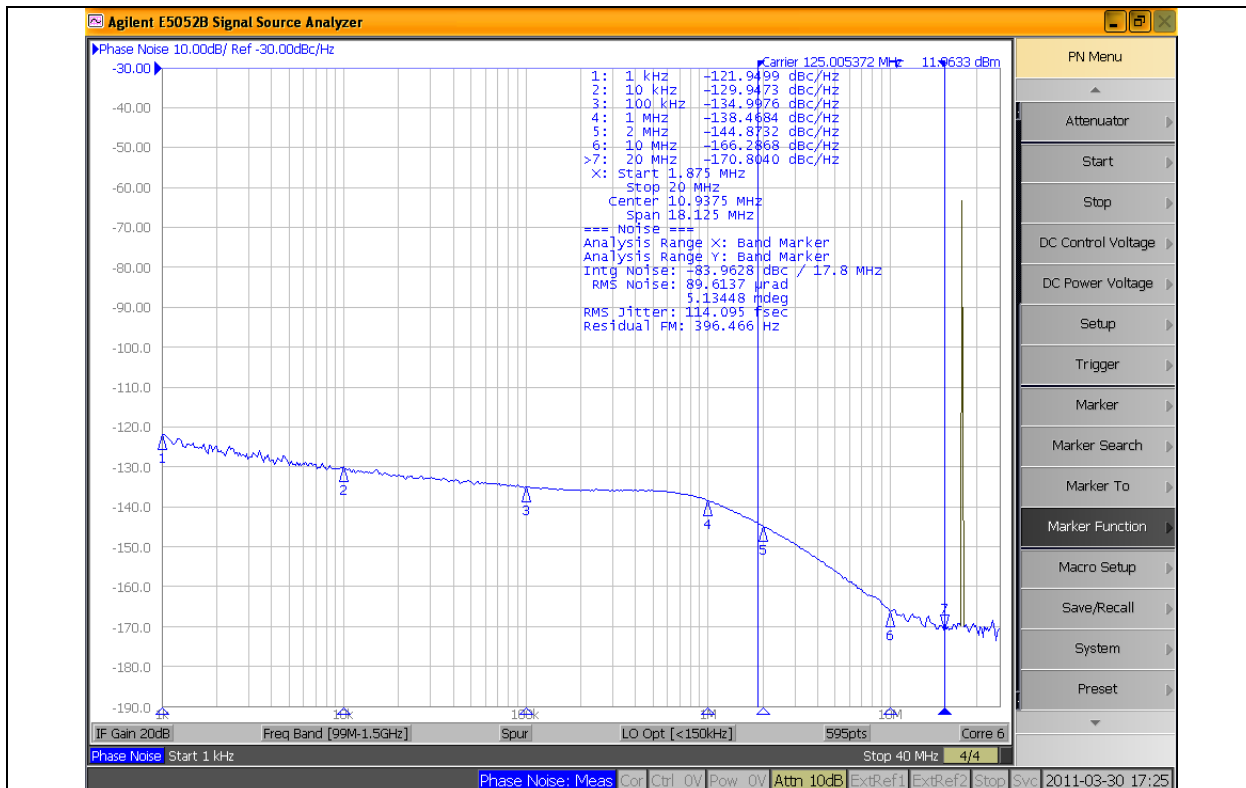


FIGURE 3-2: 125 MHz LVCMOS, 114 $f_{s_{RMS}}$ for 1.875 MHz to 20 MHz Integration Range.

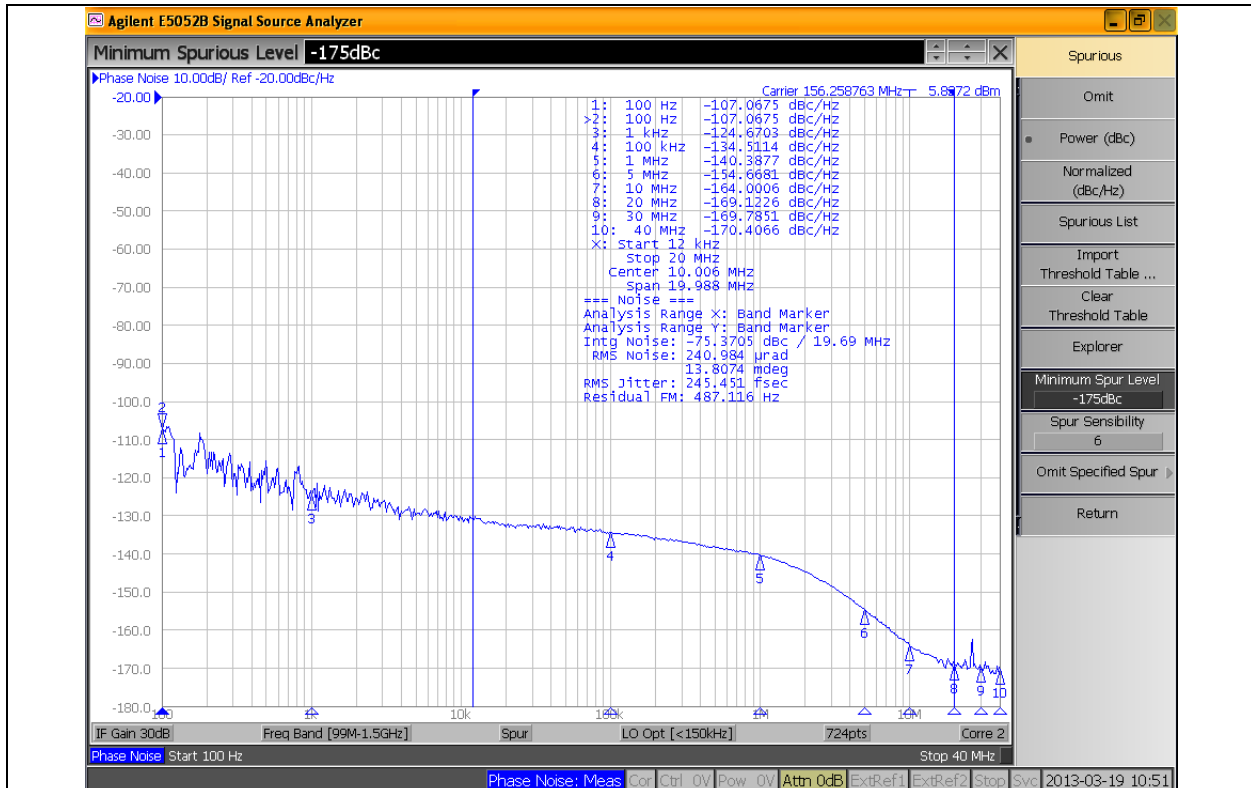


FIGURE 3-3: 156.25 MHz LVPECL, $245f_{RMS}$ for 12 kHz to 20 MHz Integration Range.

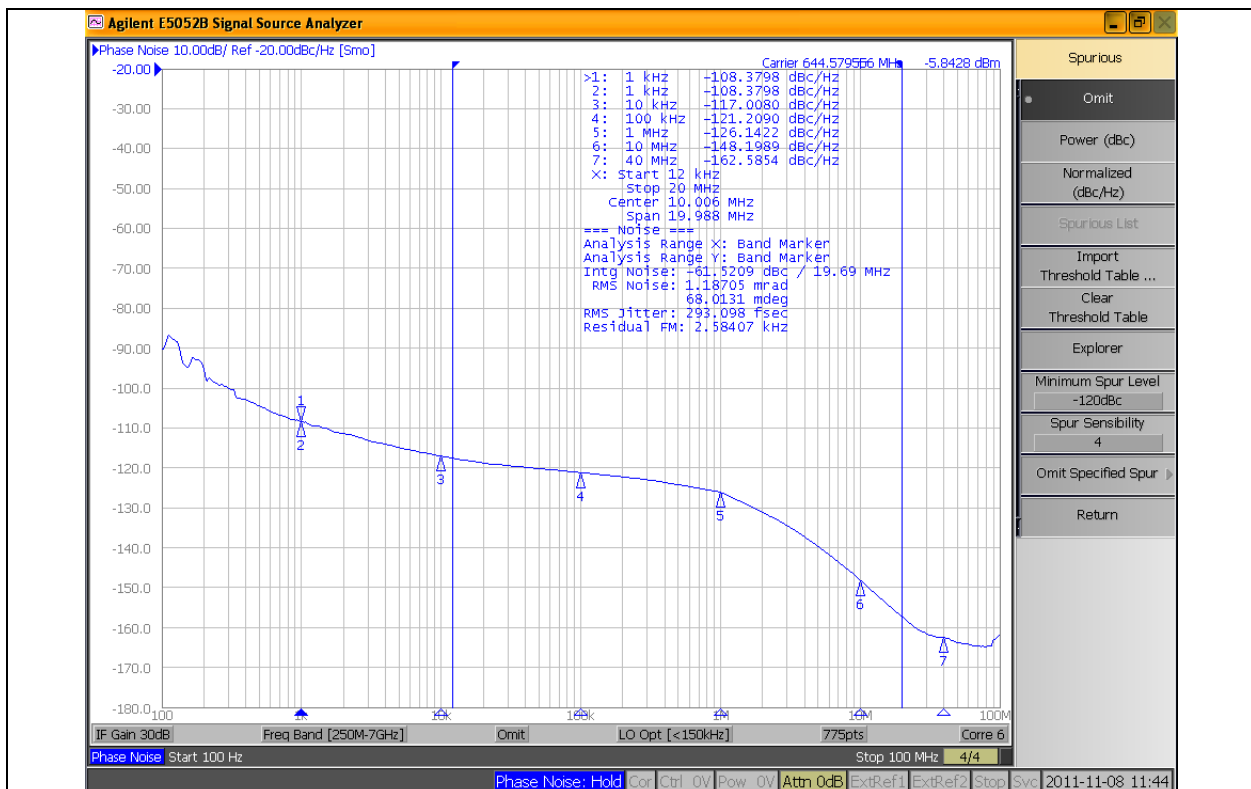


FIGURE 3-4: 644.53125 MHz LVDS, $293f_{RMS}$ for 12 kHz to 20 MHz Integration Range.

SM802XXX

4.0 APPLICATION INFORMATION

4.1 Input Reference

When operating with a crystal input reference, do not apply a switching signal to REF_IN.

4.2 Crystal Layout

Keep the layers under the crystal as open as possible and do not place switching signals or noisy supplies under the crystal. Crystal load capacitance is built inside the die, so no external capacitance is needed. See the Microchip application note ANTC207 for further details.

4.3 Power Supply Decoupling

Place the smallest value decoupling capacitor (4.7 nF above) between the V_{DD} and V_{SS} pins, as close as possible to those pins and at the same side of the PCB as the IC. The shorter the physical path from V_{DD} to capacitor and back from capacitor to V_{SS} , the more effective the decoupling. Use one 4.7 nF capacitor for each V_{DD} pin on the SM802xxx.

The impedance value of the ferrite bead (FB) needs to be between 80Ω and 240Ω with a saturation current ≥ 150 mA.

The V_{DDO1} and V_{DDO2} pins connect directly to the V_{DD} plane. All V_{DD} pins on the SM802xxx connect to V_{DD} after the power supply filter.

4.4 Output Traces

Design the traces for the output signals according to the output logic requirements. If LVCMOS is unterminated, add a 30Ω resistor in series with the output, as close as possible to the output pin, and start a 50Ω trace on the other side of the resistor.

For differential traces, you can either use a differential design or two separate 50Ω traces. For EMI reasons, it is better to use a differential design.

LVDS can be AC-coupled or DC-coupled to its termination.

5.0 POWER SUPPLY FILTERING RECOMMENDATIONS

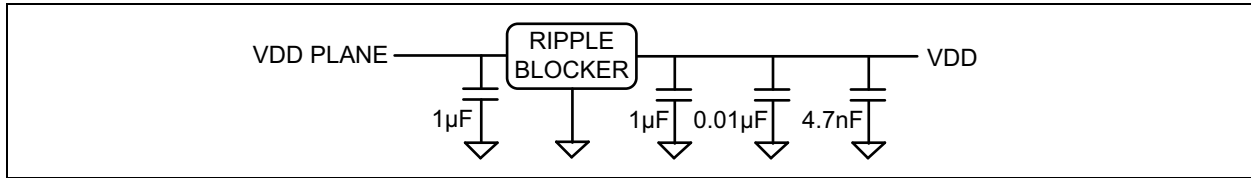


FIGURE 5-1: Preferred Filter, Using the MIC94300 or MIC94310 Ripple Blocker.

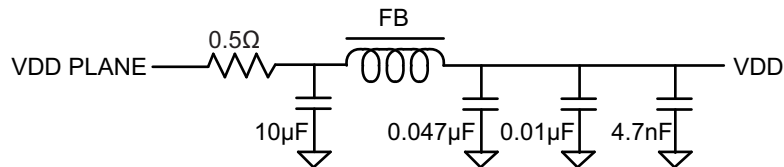


FIGURE 5-2: Alternative, Traditional Filter, Using a Ferrite Bead.

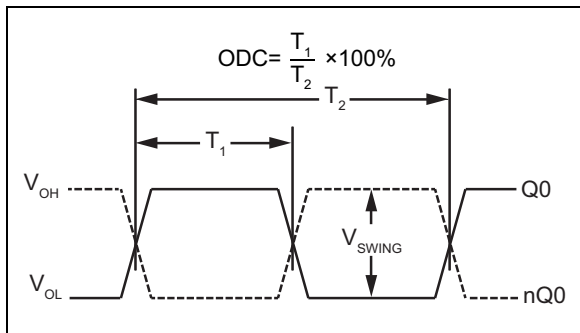


FIGURE 5-3: Duty Cycle Timing.

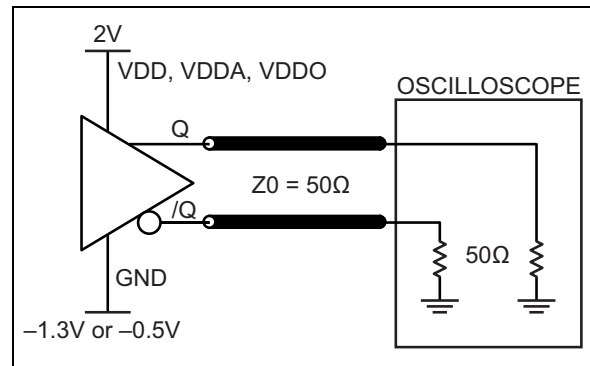


FIGURE 5-6: LVPECL Output Load and Test Circuit.

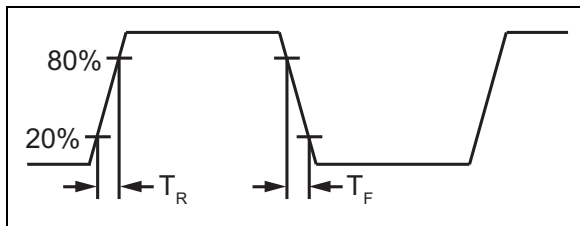


FIGURE 5-4: All Outputs Rise/Fall Time.

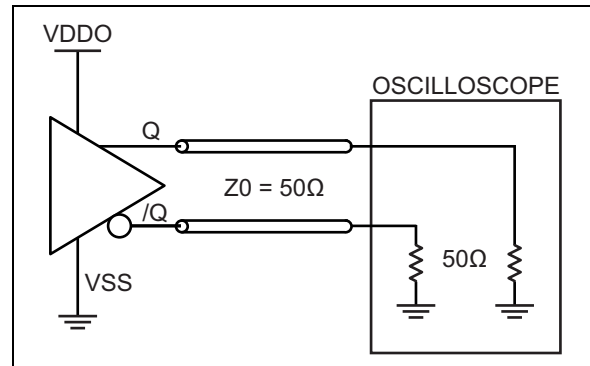


FIGURE 5-7: HCSL Output Load and Test Circuit.

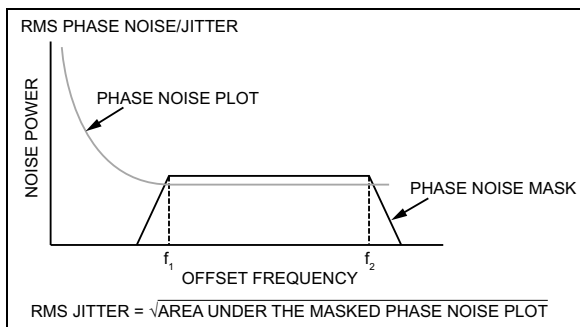


FIGURE 5-5: RMS Phase/Noise/Jitter.

SM802XXX

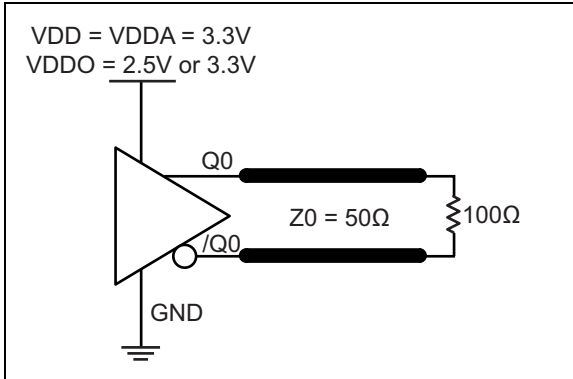


FIGURE 5-8: LVDS Output Load and Test Circuit.

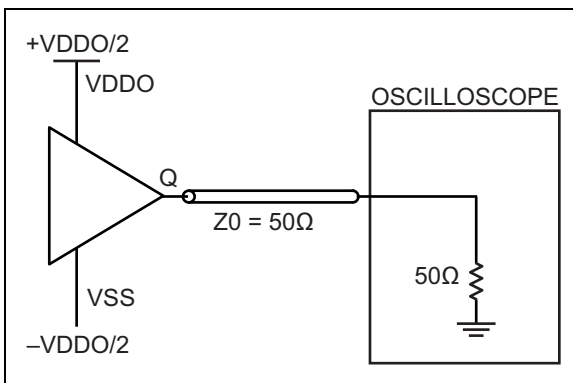


FIGURE 5-9: LVCMOS Output Load and Test Circuit.

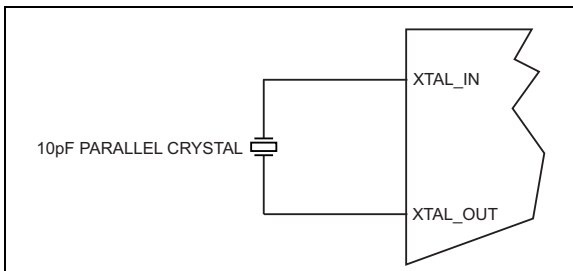
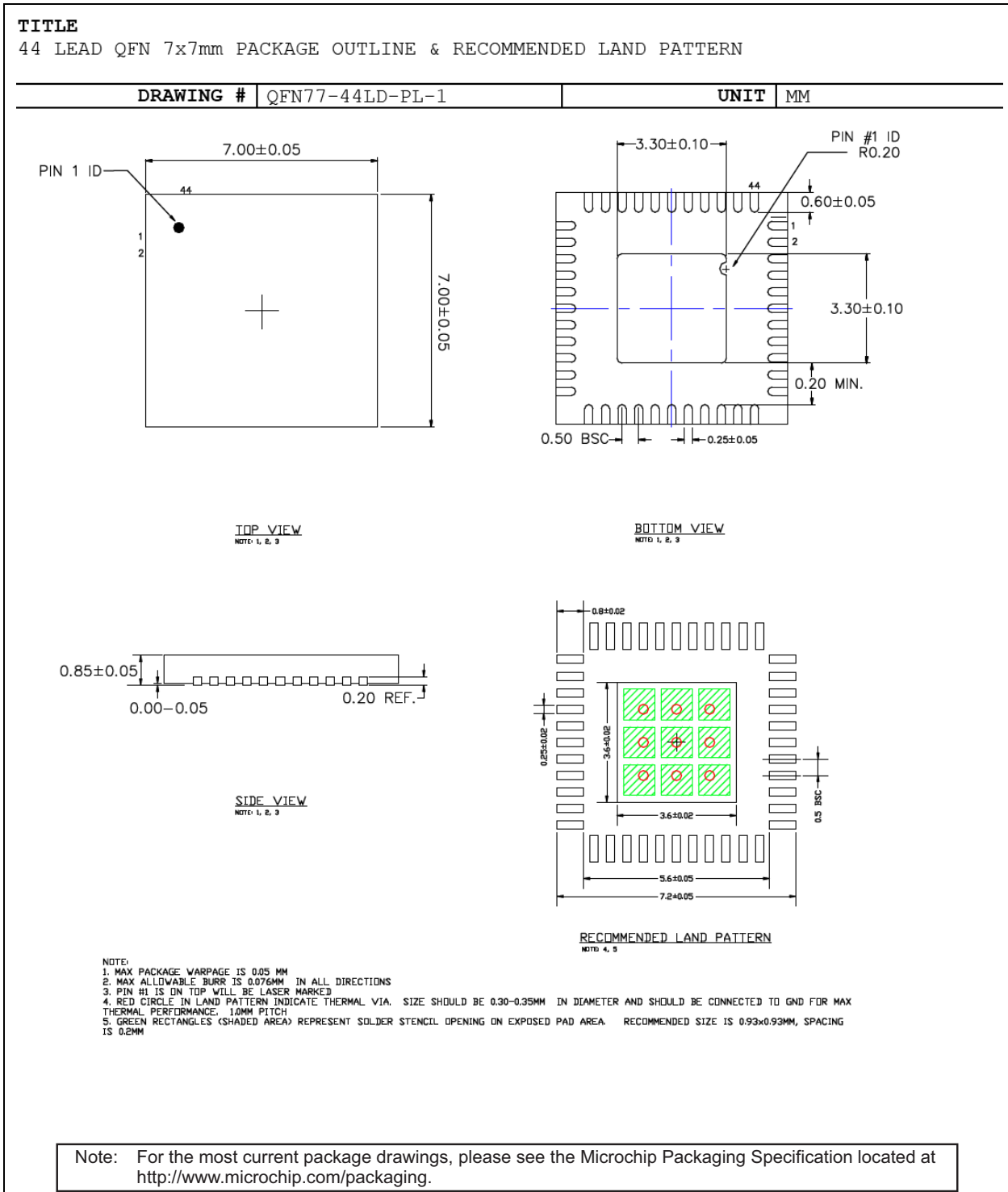


FIGURE 5-10: Crystal Input Interface.

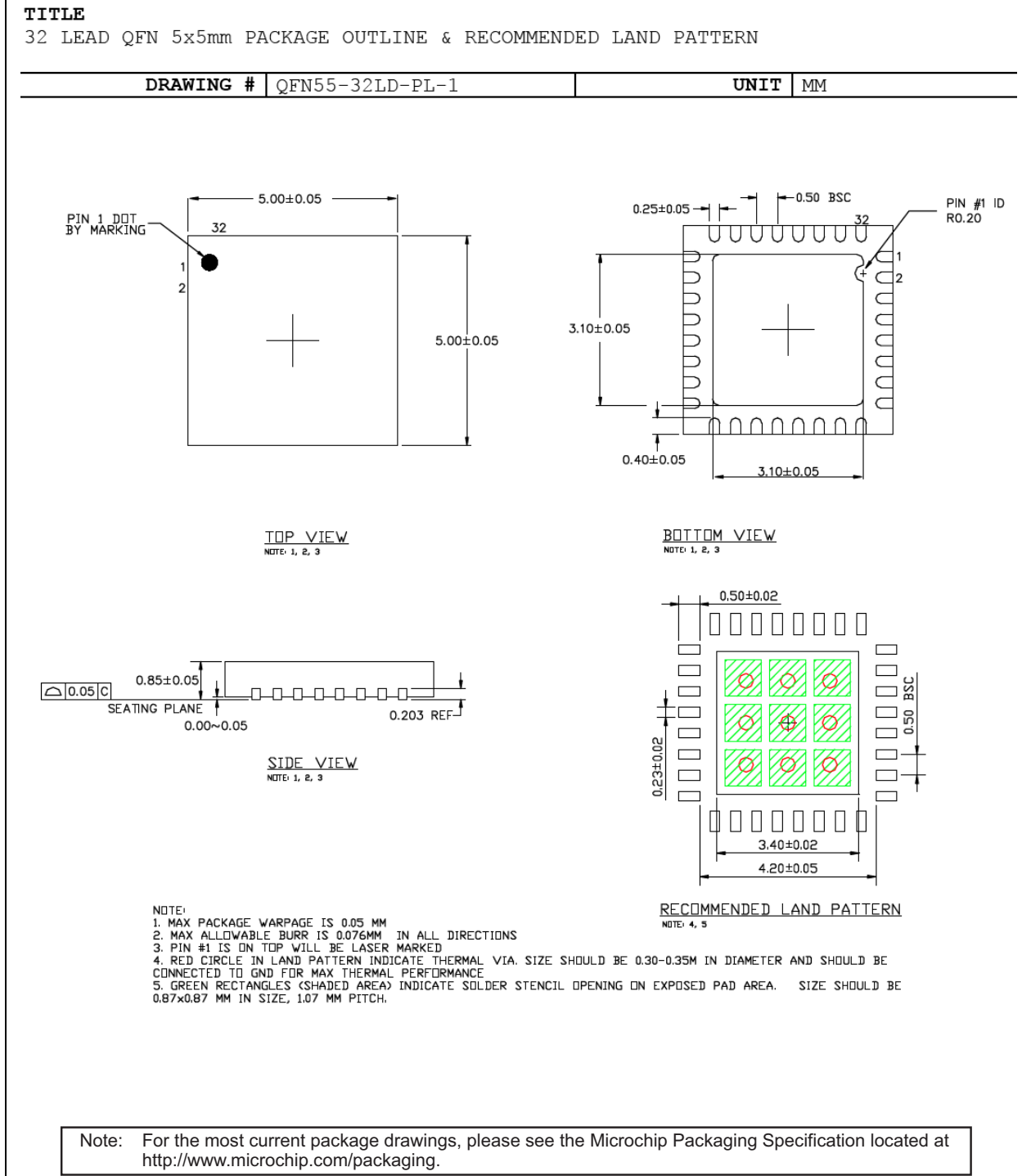
6.0 PACKAGING INFORMATION

44-Lead QFN Package Outline and Recommended Land Pattern



SM802XXX

32-Lead QFN Package Outline and Recommended Land Pattern

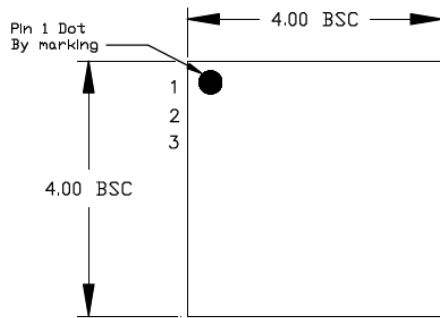


24-Lead QFN Package Outline and Recommended Land Pattern

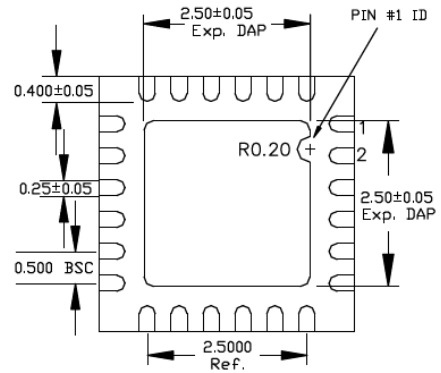
TITLE

24 LEAD QFN 4x4mm PACKAGE OUTLINE & RECOMMENDED LAND PATTERN

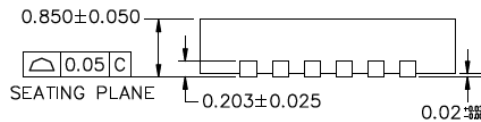
DRAWING #	QFN44-24LD-PL-1	UNIT	MM
-----------	-----------------	------	----



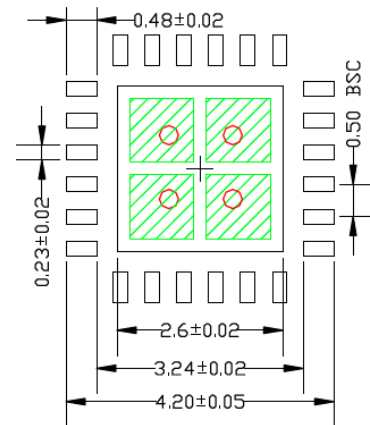
TOP VIEW
NOTE: 1, 2, 3



BOTTOM VIEW
NOTE: 1, 2, 3



SIDE VIEW
NOTE: 1, 2, 3



RECOMMENDED LAND PATTERN
NOTE: 4, 5

- NOTE:
1. MAX PACKAGE WARPAGE IS 0.05 MM
 2. MAX ALLOWABLE BURR IS 0.076MM IN ALL DIRECTIONS
 3. PIN #1 IS ON TOP WILL BE LASER MARKED
 4. RED CIRCLE IN LAND PATTERN INDICATE THERMAL VIA. SIZE SHOULD BE 0.30-0.35M IN DIAMETER AND SHOULD BE CONNECTED TO GND FOR MAX THERMAL PERFORMANCE
 5. GREEN RECTANGLES (SHADED AREA) INDICATE SOLDER STENCIL OPENING ON EXPOSED PAD AREA. SIZE SHOULD BE 1.00x1.00 MM IN SIZE, 1.20 MM PITCH.

Note: For the most current package drawings, please see the Microchip Packaging Specification located at <http://www.microchip.com/packaging>.

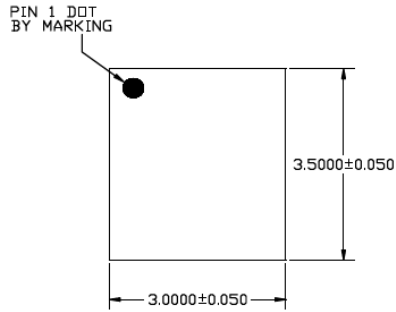
SM802XXX

16-Lead QFN Package Outline and Recommended Land Pattern

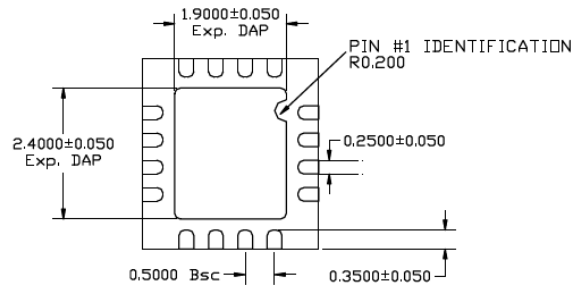
TITLE

16 LEAD QFN 3.0x3.5mm PACKAGE OUTLINE & RECOMMENDED LAND PATTERN

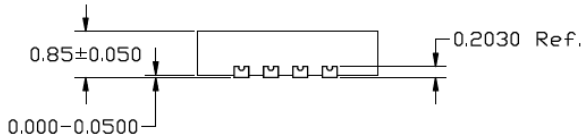
DRAWING #	QFN3035-16LD-PL-1	UNIT	MM
-----------	-------------------	------	----



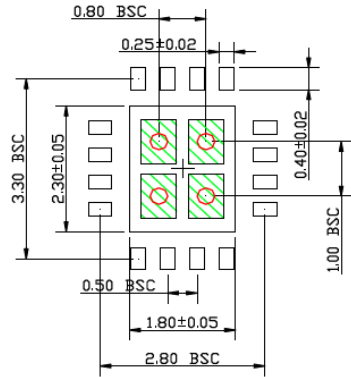
TOP VIEW
NOTE: 1, 2, 3



BOTTOM VIEW
NOTE: 1, 2, 3



SIDE VIEW
NOTE: 1, 2, 3



RECOMMENDED LAND PATTERN
NOTE: 4, 5

NOTE:

1. MAX PACKAGE WARPAGE IS 0.05 MM
2. MAX ALLOWABLE BURR IS 0.076MM IN ALL DIRECTIONS
3. PIN #1 IS ON TOP WILL BE LASER MARKED
4. RED CIRCLE IN LAND PATTERN REPRESENT THERMAL VIA. RECOMMENDED DIAMETER IS 0.30 - 0.35 MM AND SHOULD BE CONNECTED TO GND FOR MAX THERMAL PERFORMANCE
5. GREEN RECTANGLES (SHADED AREA) REPRESENT SOLDER STENCIL OPENING ON EXPOSED PAD AREA. SIZE SHOULD BE 0.80x0.60 MM, 0.20 MM SPACING.

Note: For the most current package drawings, please see the Microchip Packaging Specification located at <http://www.microchip.com/packaging>.

APPENDIX A: REVISION HISTORY

Revision A (March 2019)

- Converted Micrel document SM802xxx to Microchip data sheet DS20006176A.
- Minor text changes throughout.
- Updated the Crystal and Reference Input frequency ranges in the [Features](#) section and in [Crystal Characteristics](#) table.
- Updated ESR value in [Crystal Characteristics](#) table.
- Updated the 12 kHz to 20 MHz Phase Jitter to 265 fs in the [Features](#) and in [LVPECL AC Electrical Characteristics \(Note 1, Note 2, Note 3, Note 4\)](#).
- Updated Output Frequency minimum and typical Phase Jitter in [LVDS AC Electrical Characteristics \(Note 1, Note 2, Note 3, Note 4\)](#), [HCSL AC Electrical Characteristics \(Note 1, Note 2, Note 3, Note 4\)](#), and [LVCMOS AC Electrical Characteristics \(Note 1, Note 2, Note 3, Note 4\)](#).
- Corrected the impedance values for using a ferrite bead in [Power Supply Decoupling](#) section.

SM802XXX

NOTES:

PRODUCT IDENTIFICATION SYSTEM

To order or obtain information, e.g., on pricing or delivery, contact your local Microchip representative or sales office.

<u>PART NO.</u>	X	X	X	-	X									
Device	Voltage Option	Package Type	Temperature		Special Processing	Examples:								
Device: SM802xxx: Flexible Ultra-Low Jitter Clock Synthesizer Voltage Option: U = 2.5V/3.3V Package Type: M = 44-, 32-, 24-, or 16-QFN; see the Package Options Table (Note 1) . Temperature: G = -40°C to +85°C (NiPdAu Lead Free) Special Processing: Blank = Tray TR = Tape and Reel						a) SM802xxxUMG: Flexible Ultra-Low Jitter Clock Synthesizer, 2.5V/3.3V Voltage Option, QFN Package, -40°C to +85°C Temperature Range, Tray b) SM802xxxUMG-TR: Flexible Ultra-Low Jitter Clock Synthesizer, 2.5V/3.3V Voltage Option, QFN Package, -40°C to +85°C Temperature Range, Tape & Reel								
Package Options Table (Note 1)														
Package Option	QFN Package	# of Outputs	XTAL	REF_IN	XTAL_SEL	FSEL	OE1 OE2	PLL BYPASS						
#1	44-Pin 7x7	8 Diff.	Yes	Yes	Yes	Yes	Yes	Yes						
#2	32-Pin 5x5	4 Diff.	Yes	Yes	Yes	Yes	Yes	Yes						
#3	24-Pin 4x4	4 Diff.	Yes	Yes	Yes	No	No	Yes						
#4	24-Pin 4x4	2 Diff.	Yes	Yes	Yes	Yes	Yes	Yes						
#5	16-Pin 3x3.5	2 Diff.	No	Yes	No	Yes	No	No						
#6	16-Pin 3x3.5	2 Diff.	Yes	No	No	No	No	No						
Note 1: Use the web tool at http://clockworks.microchip.com/micrel/ to determine the desired configuration.														

SM802XXX

NOTES:

Note the following details of the code protection feature on Microchip devices:

- Microchip products meet the specification contained in their particular Microchip Data Sheet.
- Microchip believes that its family of products is one of the most secure families of its kind on the market today, when used in the intended manner and under normal conditions.
- There are dishonest and possibly illegal methods used to breach the code protection feature. All of these methods, to our knowledge, require using the Microchip products in a manner outside the operating specifications contained in Microchip's Data Sheets. Most likely, the person doing so is engaged in theft of intellectual property.
- Microchip is willing to work with the customer who is concerned about the integrity of their code.
- Neither Microchip nor any other semiconductor manufacturer can guarantee the security of their code. Code protection does not mean that we are guaranteeing the product as “unbreakable.”

Code protection is constantly evolving. We at Microchip are committed to continuously improving the code protection features of our products. Attempts to break Microchip's code protection feature may be a violation of the Digital Millennium Copyright Act. If such acts allow unauthorized access to your software or other copyrighted work, you may have a right to sue for relief under that Act.

Information contained in this publication regarding device applications and the like is provided only for your convenience and may be superseded by updates. It is your responsibility to ensure that your application meets with your specifications. MICROCHIP MAKES NO REPRESENTATIONS OR WARRANTIES OF ANY KIND WHETHER EXPRESS OR IMPLIED, WRITTEN OR ORAL, STATUTORY OR OTHERWISE, RELATED TO THE INFORMATION, INCLUDING BUT NOT LIMITED TO ITS CONDITION, QUALITY, PERFORMANCE, MERCHANTABILITY OR FITNESS FOR PURPOSE. Microchip disclaims all liability arising from this information and its use. Use of Microchip devices in life support and/or safety applications is entirely at the buyer's risk, and the buyer agrees to defend, indemnify and hold harmless Microchip from any and all damages, claims, suits, or expenses resulting from such use. No licenses are conveyed, implicitly or otherwise, under any Microchip intellectual property rights unless otherwise stated.

Microchip received ISO/TS-16949:2009 certification for its worldwide headquarters, design and wafer fabrication facilities in Chandler and Tempe, Arizona; Gresham, Oregon and design centers in California and India. The Company's quality system processes and procedures are for its PIC® MCUs and dsPIC® DSCs, KEELOQ® code hopping devices, Serial EEPROMs, microperipherals, nonvolatile memory and analog products. In addition, Microchip's quality system for the design and manufacture of development systems is ISO 9001:2000 certified.

**QUALITY MANAGEMENT SYSTEM
CERTIFIED BY DNV
= ISO/TS 16949 =**

Trademarks

The Microchip name and logo, the Microchip logo, AnyRate, AVR, AVR logo, AVR Freaks, BitCloud, chipKIT, chipKIT logo, CryptoMemory, CryptoRF, dsPIC, FlashFlex, flexPWR, Heldo, JukeBlox, KeeLoq, Klear, LANCheck, LINK MD, maXStylus, maXTouch, MediaLB, megaAVR, MOST, MOST logo, MPLAB, OptoLyzer, PIC, picoPower, PICSTART, PIC32 logo, Prochip Designer, QTouch, SAM-BA, SpyNIC, SST, SST Logo, SuperFlash, tinyAVR, UNI/O, and XMEGA are registered trademarks of Microchip Technology Incorporated in the U.S.A. and other countries.

ClockWorks, The Embedded Control Solutions Company, EtherSynch, Hyper Speed Control, HyperLight Load, IntellIMOS, mTouch, Precision Edge, and Quiet-Wire are registered trademarks of Microchip Technology Incorporated in the U.S.A.

Adjacent Key Suppression, AKS, Analog-for-the-Digital Age, Any Capacitor, AnyIn, AnyOut, BodyCom, CodeGuard, CryptoAuthentication, CryptoAutomotive, CryptoCompanion, CryptoController, dsPICDEM, dsPICDEM.net, Dynamic Average Matching, DAM, ECAN, EtherGREEN, In-Circuit Serial Programming, ICSP, INICnet, Inter-Chip Connectivity, JitterBlocker, KlearNet, KlearNet logo, memBrain, Mindi, MiWi, motorBench, MPASM, MPF, MPLAB Certified logo, MPLIB, MPLINK, MultiTRAK, NetDetach, Omniscient Code Generation, PICDEM, PICDEM.net, PICKit, PICtail, PowerSmart, PureSilicon, QMatrix, REAL ICE, Ripple Blocker, SAM-ICE, Serial Quad I/O, SMART-I.S., SQI, SuperSwitcher, SuperSwitcher II, Total Endurance, TSHARC, USBCheck, VariSense, ViewSpan, WiperLock, Wireless DNA, and ZENA are trademarks of Microchip Technology Incorporated in the U.S.A. and other countries.

SQTP is a service mark of Microchip Technology Incorporated in the U.S.A.

Silicon Storage Technology is a registered trademark of Microchip Technology Inc. in other countries.

GestIC is a registered trademark of Microchip Technology Germany II GmbH & Co. KG, a subsidiary of Microchip Technology Inc., in other countries.

All other trademarks mentioned herein are property of their respective companies.

© 2019, Microchip Technology Incorporated, All Rights Reserved.
ISBN: 978-1-5224-4300-1



MICROCHIP

Worldwide Sales and Service

AMERICAS

Corporate Office
2355 West Chandler Blvd.
Chandler, AZ 85224-6199
Tel: 480-792-7200
Fax: 480-792-7277
Technical Support:
<http://www.microchip.com/support>
Web Address:
www.microchip.com

Atlanta

Duluth, GA
Tel: 678-957-9614
Fax: 678-957-1455

Austin, TX

Tel: 512-257-3370

Boston

Westborough, MA
Tel: 774-760-0087
Fax: 774-760-0088

Chicago

Itasca, IL
Tel: 630-285-0071
Fax: 630-285-0075

Dallas

Addison, TX
Tel: 972-818-7423
Fax: 972-818-2924

Detroit

Novi, MI
Tel: 248-848-4000

Houston, TX

Tel: 281-894-5983

Indianapolis

Noblesville, IN
Tel: 317-773-8323
Fax: 317-773-5453
Tel: 317-536-2380

Los Angeles

Mission Viejo, CA
Tel: 949-462-9523
Fax: 949-462-9608
Tel: 951-273-7800

Raleigh, NC

Tel: 919-844-7510

New York, NY

Tel: 631-435-6000

San Jose, CA

Tel: 408-735-9110
Tel: 408-436-4270

Canada - Toronto

Tel: 905-695-1980
Fax: 905-695-2078

ASIA/PACIFIC

Australia - Sydney
Tel: 61-2-9868-6733

China - Beijing
Tel: 86-10-8569-7000

China - Chengdu
Tel: 86-28-8665-5511

China - Chongqing
Tel: 86-23-8980-9588

China - Dongguan
Tel: 86-769-8702-9880

China - Guangzhou
Tel: 86-20-8755-8029

China - Hangzhou
Tel: 86-571-8792-8115

China - Hong Kong SAR
Tel: 852-2943-5100

China - Nanjing
Tel: 86-25-8473-2460

China - Qingdao
Tel: 86-532-8502-7355

China - Shanghai
Tel: 86-21-3326-8000

China - Shenyang
Tel: 86-24-2334-2829

China - Shenzhen
Tel: 86-755-8864-2200

China - Suzhou
Tel: 86-186-6233-1526

China - Wuhan
Tel: 86-27-5980-5300

China - Xian
Tel: 86-29-8833-7252

China - Xiamen
Tel: 86-592-2388138

China - Zhuhai
Tel: 86-756-3210040

ASIA/PACIFIC

India - Bangalore
Tel: 91-80-3090-4444

India - New Delhi
Tel: 91-11-4160-8631

India - Pune
Tel: 91-20-4121-0141

Japan - Osaka
Tel: 81-6-6152-7160

Japan - Tokyo
Tel: 81-3-6880-3770

Korea - Daegu
Tel: 82-53-744-4301

Korea - Seoul
Tel: 82-2-554-7200

Malaysia - Kuala Lumpur
Tel: 60-3-7651-7906

Malaysia - Penang
Tel: 60-4-227-8870

Philippines - Manila
Tel: 63-2-634-9065

Singapore
Tel: 65-6334-8870

Taiwan - Hsin Chu
Tel: 886-3-577-8366

Taiwan - Kaohsiung
Tel: 886-7-213-7830

Taiwan - Taipei
Tel: 886-2-2508-8600

Thailand - Bangkok
Tel: 66-2-694-1351

Vietnam - Ho Chi Minh
Tel: 84-28-5448-2100

EUROPE

Austria - Wels
Tel: 43-7242-2244-39
Fax: 43-7242-2244-393

Denmark - Copenhagen
Tel: 45-4450-2828
Fax: 45-4485-2829

Finland - Espoo
Tel: 358-9-4520-820

France - Paris
Tel: 33-1-69-53-63-20
Fax: 33-1-69-30-90-79

Germany - Garching
Tel: 49-8931-9700

Germany - Haan
Tel: 49-2129-3766400

Germany - Heilbronn
Tel: 49-7131-67-3636

Germany - Karlsruhe
Tel: 49-721-625370

Germany - Munich
Tel: 49-89-627-144-0
Fax: 49-89-627-144-44

Germany - Rosenheim
Tel: 49-8031-354-560

Israel - Ra'anana
Tel: 972-9-744-7705

Italy - Milan
Tel: 39-0331-742611
Fax: 39-0331-466781

Italy - Padova
Tel: 39-049-7625286

Netherlands - Drunen
Tel: 31-416-690399
Fax: 31-416-690340

Norway - Trondheim
Tel: 47-7288-4388

Poland - Warsaw
Tel: 48-22-3325737

Romania - Bucharest
Tel: 40-21-407-87-50

Spain - Madrid
Tel: 34-91-708-08-90
Fax: 34-91-708-08-91

Sweden - Gothenberg
Tel: 46-31-704-60-40

Sweden - Stockholm
Tel: 46-8-5090-4654

UK - Wokingham
Tel: 44-118-921-5800
Fax: 44-118-921-5820

Mouser Electronics

Authorized Distributor

Click to View Pricing, Inventory, Delivery & Lifecycle Information:

[Microchip:](#)

[SM802123UMG](#) [SM802123UMG-TR](#)