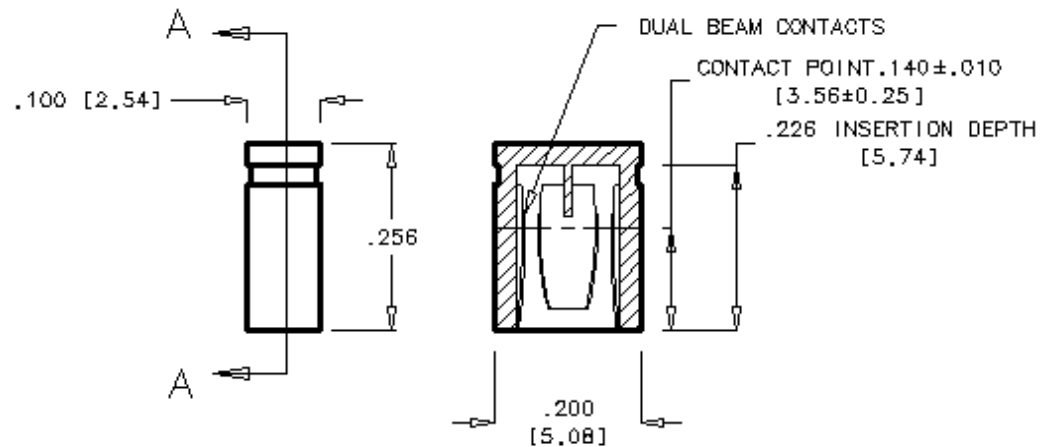


SECTION A-A



NOTES:

- 1.0 THIS SPECIFICATION COVERS THE REQUIREMENTS FOR A SINGLE, 2 POSITION JUMPER.
- 2.0 INSULATOR MATERIAL: BLACK THERMOPLASTIC POLYESTER.
- 3.0 CONTACT MATERIAL: PHOSPHOR BRONZE, DUAL BEAM CONTACTS.
- 4.0 PLATING: .0000010 INCH GOLD OVERALL, .000050 INCH NICKEL UNDERPLATE.
- 5.0 TEMPERATURE: -65°C TO 125°C
- 6.0 UL FLAMMABILITY RATING: 94V-0
- 7.0 VOLTAGE RATING: 250 VDC MINIMUM AT SEA LEVEL.
- 8.0 CURRENT RATING: 3 AMP MAXIMUM.
- 9.0 INSULATION RESISTANCE: 5,000 MEGA OHM MINIMUM 1000 VAC BETWEEN ADJACENT CONTACTS.
- 10.0 NOT DRAWN TO SCALE.

SULLINS ELECTRONICS CORPORATION

801 EAST MISSION ROAD, SAN MARCOS, CALIFORNIA 92069, PHONE (760) 744-0125 FAX (760) 744-6081

DATE : MAY 13, 1997

DRAWN : NOP

PART NUMBER:

SSC02SYAN

DRAWING NO. :

3251