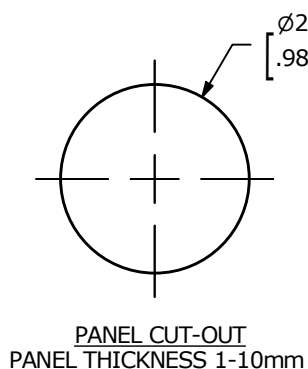
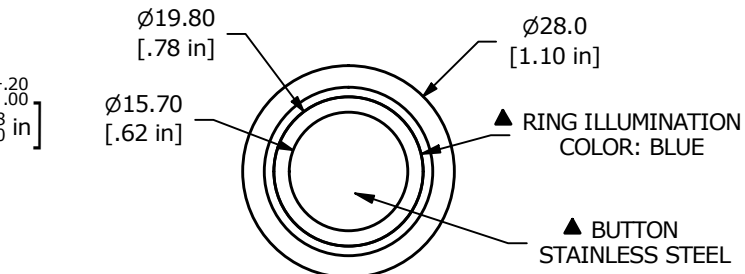


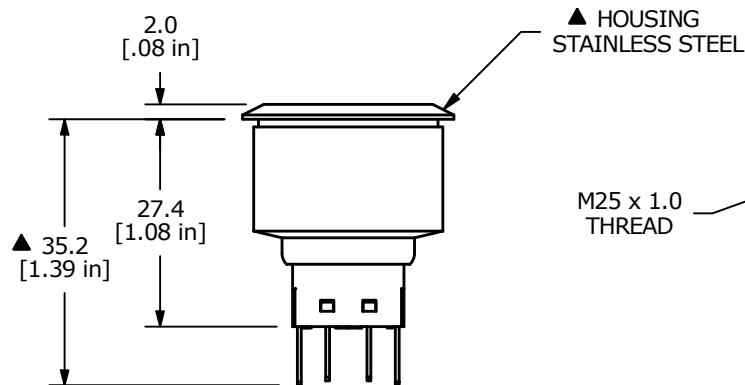
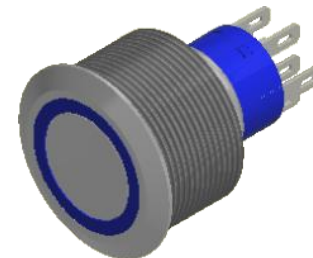
SCHEMATIC
 ▲ ON - (ON)
 DPDT Illuminated
 () Denotes Momentary Function



PANEL CUT-OUT
 PANEL THICKNESS 1-10mm

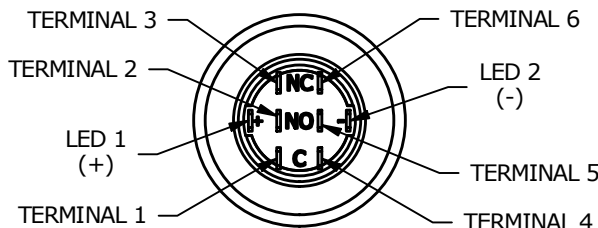
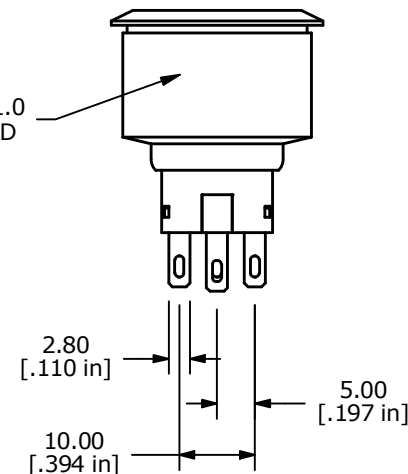
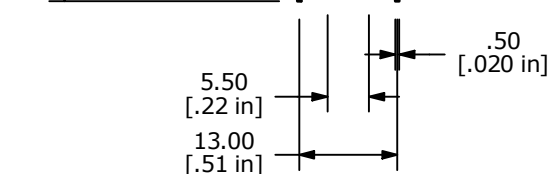


▲ RING ILLUMINATION
 COLOR: BLUE
 ▲ BUTTON
 STAINLESS STEEL



▲ HOUSING
 STAINLESS STEEL

M25 x 1.0
 THREAD



- NOTE:**
1. ALL DIMENSIONS IN MM [INCH]
 2. GENERAL TOLERANCE: X.X = ±0.4
X.XX = ±0.25
 3. TERMINAL NUMBERS FOR REF ONLY
 - ▲ 4. CONTACT MATERIAL: SILVER
 5. RATING: 3A 250 VAC cUL
 6. ELECTRIC LIFE: 50,000 MAKE-AND-BREAK CYCLES AT FULL LOAD.
 7. MECHANICAL LIFE: 1,000,000 CYCLES.
 8. INSULATION RESISTANCE: 1,000 MΩ @ 500VDC MIN.
 9. DIELECTRIC STRENGTH: 2,000 VAC MIN. FOR 1 MINUTE
 10. CONTACT RESISTANCE: 50mΩ MAX. @ 1A 12VDC
 11. OPERATING TEMP.: -20°C to 55°C
 12. ▲ DENOTES CRITICAL PARAMETER.
 - ▲ 13. LAMP VOLTAGE: 20mA 3V
 14. TRAVEL: 3.2mm
 15. ACTUATION FORCE: 3.5 ± 1.0 N
 - 16 MOUNTING NUT TORQUE: 5-14 Nm
 17. INGRESS PROTECTION: IP67, IK08
 18. HARDWARE SUPPLIED: O-RING AND HEXNUT

REV	ECO NO	DESCRIPTION	DATE	BY
C	ECO-100283	UPDATE PANEL CUTOUT	08/31/21	JS



OBJECT ID
 000026393

TITLE ULV8F2HSS341				
SCALE 1:1	DATE 11/12/2015	DR RC	DWG T980002	REV C

THE INFORMATION CONTAINED IN THIS DOCUMENT IS PROPRIETARY TO E-SWITCH AND IS NOT TO BE COPIED OR TRANSFERRED